






Self-aligning bearing supports

Serie	Pag.	Serie	Pag.	Serie	Pag.	Serie	Pag.	Serie	Pag.	Serie	Pag.
F.....	174	MUCFL/CS.....	186	UCFC.....	230	UCFL.....	184	UCP.....	208	UCT.....	224
FL.....	192	MUCFL/CX.....	182	UCF/CA.....	170	UCFL/C.....	180	UCPA.....	218	UCT/C.....	220
MUCF.....	166	UCF.....	166	UCFC/C.....	226	UCFL/C.....	194	UCPA/C.....	214	UCT/CX.....	222
MUCF/C.....	162	UCFB.....	202	UCFC/CX.....	228	UCFL/CA.....	188	UCPA/CX.....	216		
MUCF/CS.....	168	UCFB/C.....	198	UCF/CS.....	168	UCFL/CS.....	186	UCP/C.....	204		
MUCF/CX.....	164	UCFB/CX.....	200	UCF/CX.....	164	UCFL/CX.....	182	UCP/C.....	210		
MUCFL.....	184	UCF/C.....	162	UCF/CX.....	178	UCFL/CX.....	196	UCP/CX.....	206		
MUCFL/C.....	180	UCF/C.....	176	UCF/CXA.....	172	UCFL/CXA.....	190	UCP/CX.....	212		

Square flanged bearing supports

 <p>Serie UCF/C Serie MUCF/C</p> <p>pag. 162 pag. 162</p>	 <p>New!</p> <p>Serie UCF/CX Serie MUCF/CX</p> <p>pag. 164 pag. 164</p>	 <p>New!</p> <p>Serie UCF Serie MUCF</p> <p>pag. 166 pag. 166</p>	 <p>Serie UCF/CS Serie MUCF/CS</p> <p>pag. 168 pag. 168</p>
 <p>Serie UCF/CA</p> <p>pag. 170</p>	 <p>New!</p> <p>Serie UCF/CXA</p> <p>pag. 172</p>	 <p>Serie F</p> <p>pag. 174</p>	 <p>New!</p> <p>Serie UCF/C</p> <p>pag. 176</p>
 <p>New!</p> <p>Serie UCF/CX</p> <p>pag. 178</p>			

Oval flanged bearing supports

 <p>Serie UCFL/C Serie MUCFL/C</p> <p>pag. 180 pag. 180</p>	 <p>New!</p> <p>Serie UCFL/CX Serie MUCFL/CX</p> <p>pag. 182 pag. 182</p>	 <p>New!</p> <p>Serie UCFL Serie MUCFL</p> <p>pag. 184 pag. 184</p>	 <p>Serie UCFL/CS Serie MUCFL/CS</p> <p>pag. 186 pag. 186</p>
 <p>Serie UCFL/CA</p> <p>pag. 188</p>	 <p>New!</p> <p>Serie UCFL/CXA</p> <p>pag. 190</p>	 <p>Serie FL</p> <p>pag. 192</p>	 <p>New!</p> <p>Serie UCFL/C</p> <p>pag. 194</p>
 <p>New!</p> <p>Serie UCFL/CX</p> <p>pag. 196</p>			



Side flanged bearing supports

 <p>Serie UCFB/C pag. 198</p>	<p>New</p>  <p>Serie UCFB/CX pag. 200</p>	<p>New</p>  <p>Serie UCFB pag. 202</p>
--	---	--

Pillow Blocks

 <p>Serie UCP/C pag. 204</p>	<p>New</p>  <p>Serie UCP/CX pag. 206</p>	<p>New</p>  <p>Serie UCP pag. 208</p>
<p>New</p>  <p>Serie UCP/C pag. 210</p>	<p>New</p>  <p>Serie UCP/CX pag. 212</p>	

Compact Pillow Blocks

 <p>Serie UCPA/C pag. 214</p>	<p>New</p>  <p>Serie UCPA/CX pag. 216</p>	<p>New</p>  <p>Serie UCPA pag. 218</p>
--	---	--

Take-up bearing supports

 <p>Serie UCT/C pag. 220</p>	<p>New</p>  <p>Serie UCT/CX pag. 222</p>	<p>New</p>  <p>Serie UCT pag. 224</p>
---	--	---

Round flanged bearing supports

 <p>Serie UCFC/C pag. 226</p>	<p>New</p>  <p>Serie UCFC/CX pag. 228</p>	<p>New</p>  <p>Serie UCFC pag. 230</p>
--	---	--

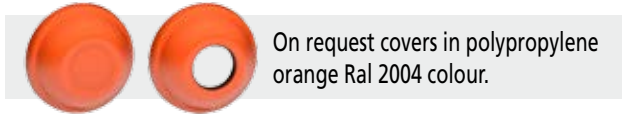


Square flanged bearing supports

Serie **UCF/C**
Serie **MUCF/C**



On request covers in polypropylene blue Ral 5015 colour.

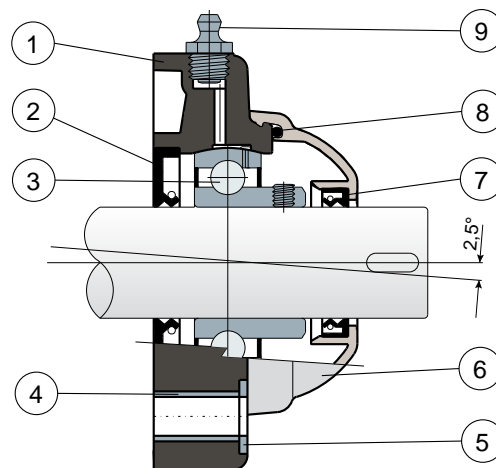


On request covers in polypropylene orange Ral 2004 colour.



On request covers in polypropylene red Ral 3000 colour.

Full protection of bearing



- 1) Housing made out of black or white colour polyamide reinforced with glass fibers.
- 2) Back gasket made out of NBR rubber for turning shaft seal.
- 3) Chrome steel or stainless steel bearing AISI 440.
- 4) Spacer for fixing reinforcement made out of stainless steel AISI 304.
- 5) UNI 6592 support washer made out of stainless steel AISI 304.
- 6) Protection cover made out of polypropylene (grey colour Ral 7042).
- 7) Front gasket made out of NBR rubber for turning shaft seal.
- 8) OR gasket made out of NBR rubber.
- 9) Greaser, straight type with 1/8 gas thread, made out of nickel-plated brass.

Support dimensions respect ISO 3228 set of rules

Maximum shaft alignment error 2,5°

For further information please contact our technical office or sales department.

MATERIALS: Housing is made out of PA + glass fiber in black or white colours; chrome steel or stainless steel bearing; greaser made out of nickel plated brass; reinforcement bushings and washers made out of stainless steel AISI 304; gaskets made out of NBR rubber; cover made out of grey RAL 7042 colour polypropylene.

FEATURES: Full protection of bearing against external agents. Assembly with not shouldered shafts. Maximum shaft alignment error 2.5°.

BOX QUANTITY: 8 pieces.

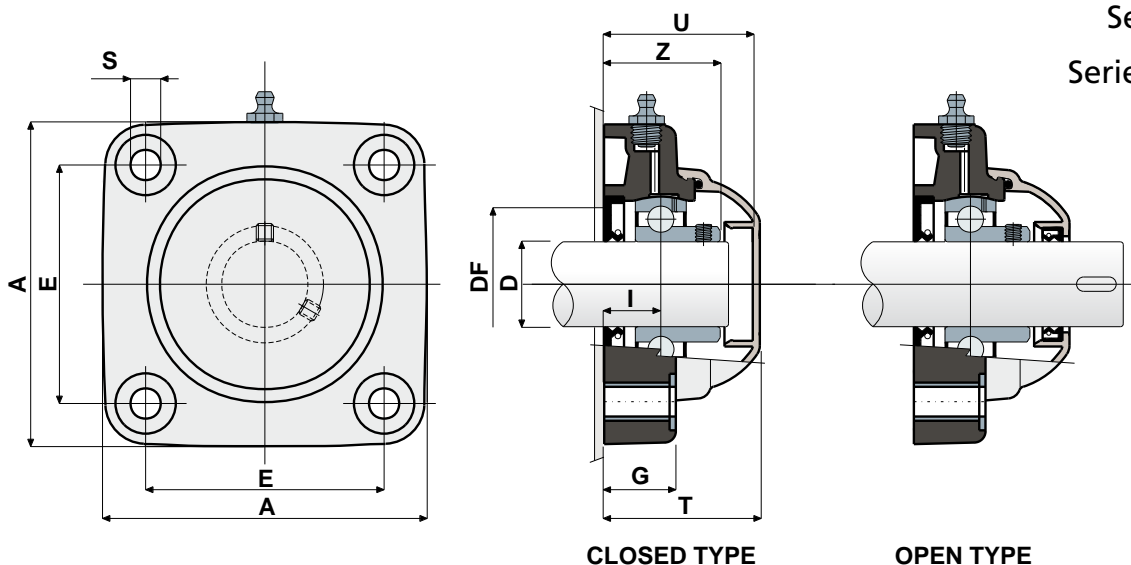
ON REQUEST: Versions with body in polypropylene + glass fiber and antibacterial additive; supports with eccentric collar shaft locking with chrome steel bearing; protection cover in different colours and with customized brand; box quantity according to your request; Viton gaskets, "Long life" bearings.



Square flanged bearing supports

Technical data

Serie **UCF/C**
Serie **MUCF/C**



CHROME STEEL BEARING																		
D	SERIE	CODES				DIMENSIONS (mm)										Bearing load (N)		Bearing support load (N)
		Black		White		E	A	S	G	I	Z	U	T	DF		C	CO	
		Closed	Open	Closed	Open									Max	Min			
20	UCF 204 C	80248	80249	84580	84581	63,5	90	10,5	19	15,5	33,5	44	46,5	45	40	12800	6600	16500
25	UCF 205 C	80057	80060	84582	84583	70	99,5	10,5	22	17,4	37	47	49,5	50	45	14000	7800	17000
30	UCF 206 C	80009	80005	84584	84585	83	113	10,5	26	20,7	41	52,5	55	60	50	19500	11300	17500
30	MUCF 206 C	84038	84039	84586	84587	83	113	10,5	26	20,7	41	65	68	60	50	19500	11300	17500
35	UCF 207 C	80058	80061	84588	84589	92	122	10,5	26	20	45	57	59	70	55	25500	15300	18000
35	MUCF 207 C	82549	82392	84590	84591	83	113	10,5	26	20	45	65	68	70	55	25500	15300	18000
40	UCF 208 C	80250	80251	84592	84593	102	133	10,5	26	19,5	48,5	65	68	78	65	32500	19800	18000
40	MUCF 208 C	80697	80699	84594	84595	83	113	10,5	26	19,5	48,5	65	68	78	65	32500	19800	18000

STAINLESS STEEL BEARING AISI 440																		
D	SERIE	CODES				DIMENSIONS (mm)										Bearing load (N)		Bearing support load (N)
		Black		White		E	A	S	G	I	Z	U	T	DF		C	CO	
		Closed	Open	Closed	Open									Max	Min			
20	UCF 204 C	80400	80448	84596	84597	63,5	90	10,5	19	15,5	33,5	44	46,5	45	40	8300	6600	16500
25	UCF 205 C	80445	80449	84598	84599	70	99,5	10,5	22	17,4	37	47	49,5	50	45	9150	7800	17000
30	UCF 206 C	80378	80377	84600	84601	83	113	10,5	26	20,7	41	52,5	55	60	50	12500	11200	17500
30	MUCF 206 C	84040	84041	84602	84603	83	113	10,5	26	20,7	41	65	68	60	50	12500	11200	17500
35	UCF 207 C	80446	80450	84604	84605	92	122	10,5	26	20	45	57	59	70	55	16600	15300	18000
35	MUCF 207 C	83467	83466	84606	84607	83	113	10,5	26	20	45	65	68	70	55	16600	15300	18000
40	UCF 208 C	80447	80451	84608	84609	102	133	10,5	26	19,5	48,5	65	68	78	65	20000	19000	18000
40	MUCF 208 C	81057	81058	84610	84611	83	113	10,5	26	19,5	48,5	65	68	78	65	20000	19000	18000

VERSIONS WITH MEASURES IN INCHES

CHROME STEEL BEARING																			
D		SERIE	CODES				DIMENSIONS (mm)										Bearing load (N)		Bearing support load (N)
			Black		White		E	A	S	G	I	Z	U	T	DF		C	CO	
			Closed	Open	Closed	Open									Max	Min			
1"	25,4	UCF 205 C	84500	84490	84875	84876	70	99,5	10,5	22	17,4	37	47	49,5	50	45	14000	7800	17000
1" 1/4	31,75	UCF 206 C	84501	84491	84877	84878	83	113	10,5	26	20,7	41	52,5	55	60	50	19500	11300	17500
1" 1/4	31,75	MUCF 206 C	84502	84492	85180	85181	83	113	10,5	26	20,7	41	65	68	60	50	19500	11300	17500

Self-aligning bearings with Solid body: completely closed surface to guarantee the max hygiene.

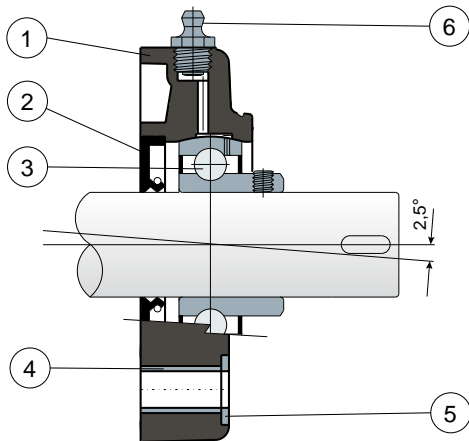


Square flanged bearing supports

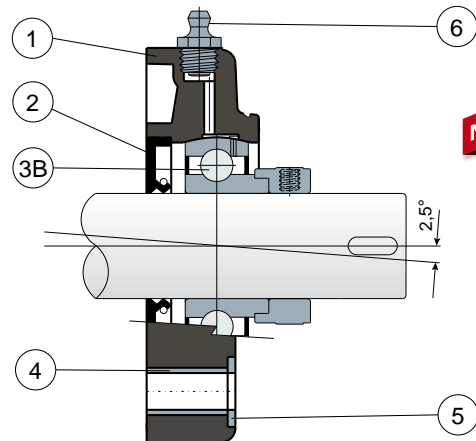
Serie **UCF/CX**
Serie **MUCF/CX**



Grub screws shaft locking - Without protection cover



Eccentric collar shaft locking - Without protection cover



- 1) Housing made out of black, white or blue Ral 5005 colour polyamide reinforced with glass fibers.
- 2) Back gasket made out of NBR rubber for turning shaft seal.
- 3) Chrome steel or stainless steel bearing AISI 440.
- 3B) Chrome steel bearing.
- 4) Spacer for fixing reinforcement made out of stainless steel AISI 304.
- 5) UNI 6592 support washer made out of stainless steel AISI 304.
- 6) Greaser, straight type with 1/8 gas thread, made out of nickel-plated brass.

NOTE: The only difference from UCF/C series is lack of protection cover, which can be ordered separately as an accessory.

Support dimensions respect ISO 3228 set of rules.

Maximum shaft alignment error 2,5°

For further information please contact our technical office or sales department.

MATERIALS: Housing is made out of PA + glass fiber in black, white or blue Ral 5005 colours; bearing with grub screws shaft locking in chrome steel or stainless steel; bearing with eccentric collar shaft locking in chrome steel; greaser made out of nickel plated brass; reinforcement bushings and washers made out of stainless steel AISI 304; gaskets made out of NBR rubber; cover made out of polypropylene grey Ral 7042, blue Ral 5015, orange Ral 2004 or red Ral 3000 colour.

FEATURES: The difference from UCF/C series is lack of protection cover which can be ordered separately as an accessory. Assembly with not shouldered shafts. Maximum shaft alignment error 2.5°.

BOX QUANTITY: 8 pieces.

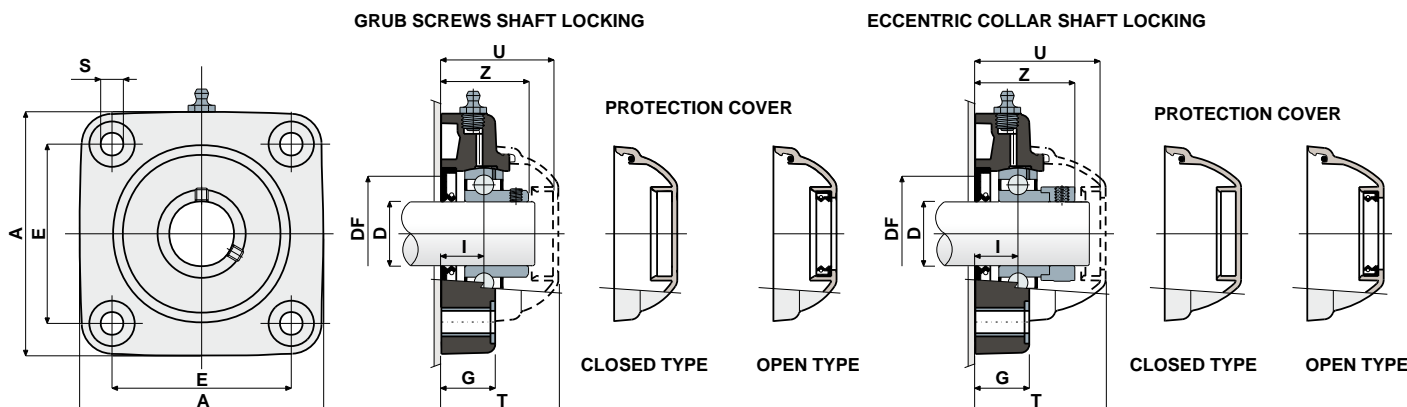
ON REQUEST: Versions with body in polypropylene + glass fiber and antibacterial additive; protection cover in different colours and with customized brand; box quantity according to your request; Viton gaskets, "Long life" bearings.



Square flanged bearing supports

Technical data

Serie **UCF/CX**
Serie **MUCF/CX**



GRUB SCREWS SHAFT LOCKING

D	SERIE	CHROME STEEL BEARING											COVER CODES												
		Support CODES			DIMENSIONS (mm)								Bearing load (N)	Bearing support load	GREY RAL 7042				BLUE RAL 5015		ORANGE RAL 2004		RED RAL 3000		
		Black	White	Blue Ral 5005	E	A	S	G	I	Z	U	T	DF Max Min	C	CO	(N)	Closed	Open	Closed	Open	Closed	Open	Closed	Open	
20	UCF 204 CX	80252	84612	87440	63,5	90	10,5	19	15,5	33,5	44	46,5	45	40	12800	6600	16500	80254	80255	87259	83901	82305	82306	87540	87541
25	UCF 205 CX	80175	84613	87436	70	99,5	10,5	22	17,4	37	47	49,5	50	45	14000	7800	17000	80075	80076	85384	85385	82276	82277	87542	87543
30	UCF 206 CX	80176	84614	87437	83	113	10,5	26	20,7	41	52,5	55	60	50	19500	11300	17500	80011	80053	84100	80354	82278	82279	87531	87530
30	MUCF 206 CX	80789	84615	87673	83	113	10,5	26	20,7	41	65	68	60	50	19500	11300	17500	80256	80494	83088	87271	82280	87555	87528	87569
35	UCF 207 CX	80177	84616	87438	92	122	10,5	26	20	45	57	59	70	55	25500	15300	18000	80077	80078	80969	80275	82284	82285	87544	87545
35	MUCF 207 CX	83462	84617	87674	83	113	10,5	26	20	45	65	68	70	55	25500	15300	18000	80256	80495	83088	87277	82280	87557	87528	87529
40	UCF 208 CX	80253	84618	87439	102	133	10,5	26	19,5	48,5	65	68	78	65	32500	19800	18000	80256	80257	83088	86722	82280	82281	87528	82804
40	MUCF 208 CX	80701	84619	87675	83	113	10,5	26	19,5	48,5	65	68	78	65	32500	19800	18000	80256	80257	83088	86722	82280	82281	87528	82804

ECCENTRIC COLLAR SHAFT LOCKING

D	SERIE	CHROME STEEL BEARING											COVER CODES						
		Support CODES			DIMENSIONS (mm)								Bearing load (N)	Bearing support load	GREY RAL 7042				
		Black	White	Blue Ral 5005	E	A	S	G	I	Z	U	T	DF Max Min	C	CO	(N)	Closed	Open	
20	UCF 204 CX	88440	88448	88456	63,5	90	10,5	19	15,5	39	51	53,5	45	40	12800	6600	16500	88371	88372
25	UCF 205 CX	88441	88449	88457	70	99,5	10,5	22	17,4	40,9	52,9	55,4	50	45	14000	7800	17000	88373	88374
30	UCF 206 CX	88442	88450	88458	83	113	10,5	26	20,7	47,4	59,4	61,9	60	50	19500	11300	17500	88375	88376
30	MUCF 206 CX	88443	88451	88459	83	113	10,5	26	20,7	47,4	65	68	60	50	19500	11300	17500	80256	80494
35	UCF 207 CX	88444	88452	88460	92	122	10,5	26	20	49,3	61,3	63,8	70	55	25500	15300	18000	88377	88378
35	MUCF 207 CX	88445	88453	88461	83	113	10,5	26	20	49,3	65	68	70	55	25500	15300	18000	80256	80495
40	UCF 208 CX	88446	88454	88462	102	133	10,5	26	19,5	52,2	65	68	78	65	32500	19800	18000	80256	80257
40	MUCF 208 CX	88447	88455	88463	83	113	10,5	26	19,5	52,2	65	68	78	65	32500	19800	18000	80256	80257



GRUB SCREWS SHAFT LOCKING

D	SERIE	STAINLESS STEEL BEARING AISI 440											COVER CODES												
		Support CODES			DIMENSIONS (mm)								Bearing load (N)	Bearing support load	GREY RAL 7042				BLUE RAL 5015		ORANGE RAL 2004		RED RAL 3000		
		Black	White	Blue Ral 5005	E	A	S	G	I	Z	U	T	DF Max Min	C	CO	(N)	Closed	Open	Closed	Open	Closed	Open	Closed	Open	
20	UCF 204 CX	81047	84620	87668	63,5	90	10,5	19	15,5	33,5	44	46,5	45	40	8300	6600	16500	80254	80255	87259	83901	82305	82306	87540	87541
25	UCF 205 CX	81049	84621	87669	70	99,5	10,5	22	17,4	37	47	49,5	50	45	9150	7800	17000	80075	80076	85384	85385	82276	82277	87542	87543
30	UCF 206 CX	81050	84622	87670	83	113	10,5	26	20,7	41	52,5	55	60	50	12500	11200	17500	80011	80053	84100	80354	82278	82279	87531	87530
30	MUCF 206 CX	84042	84623	87676	83	113	10,5	26	20,7	41	65	68	60	50	12500	11200	17500	80256	80494	83088	87271	82280	87555	87528	87569
35	UCF 207 CX	81051	84624	87671	92	122	10,5	26	20	45	57	59	70	55	16600	15300	18000	80077	80078	80969	80275	82284	82285	87544	87545
35	MUCF 207 CX	82404	84625	87677	83	113	10,5	26	20	45	65	68	70	55	16600	15300	18000	80256	80495	83088	87277	82280	87557	87528	87529
40	UCF 208 CX	80561	84626	87672	102	133	10,5	26	19,5	48,5	65	68	78	65	20000	19000	18000	80256	80257	83088	86722	82280	82281	87528	82804
40	MUCF 208 CX	81043	84627	87678	83	113	10,5	26	19,5	48,5	65	68	78	65	20000	19000	18000	80256	80257	83088	86722	82280	82281	87528	82804

GRUB SCREWS SHAFT LOCKING - VERSIONS WITH MEASURES IN INCHES

D (inches) (mm)	SERIE	CHROME STEEL BEARING											COVER CODES												
		Support CODES			DIMENSIONS (mm)								Bearing load (N)	Bearing support load	GREY RAL 7042				BLUE RAL 5015		ORANGE RAL 2004		RED RAL 3000		
		Black	White	Blue Ral 5005	E	A	S	G	I	Z	U	T	DF Max Min	C	CO	(N)	Closed	Open	Closed	Open	Closed	Open	Closed	Open	
1" (25,4)	UCF 205 CX	84493	84883	87679	70	99,5	10,5	22	17,4	37	47	49,5	50	45	14000	7800	17000	80075	85202	85384	87273	82276	87660	87542	87663
1 1/4" (31,75)	UCF 206 CX	84494	84884	87680	83	113	10,5	26	20,7	41	52,5	55	60	50	19500	11300	17500	80011	85203	84100	87274	82278	87661	87531	87664
1 1/4" (31,75)	MUCF 206 CX	84495	85182	87681	83	113	10,5	26	20,7	41	65	68	60	50	19500	11300	17500	80256	85204	83088	87275	82280	87662	87528	87665



Self-aligning bearings with Solid body: completely closed surface to guarantee the max hygiene.



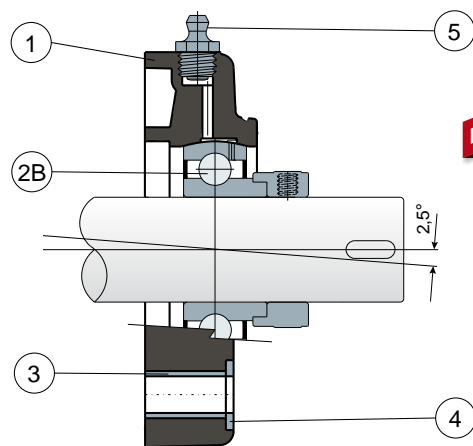
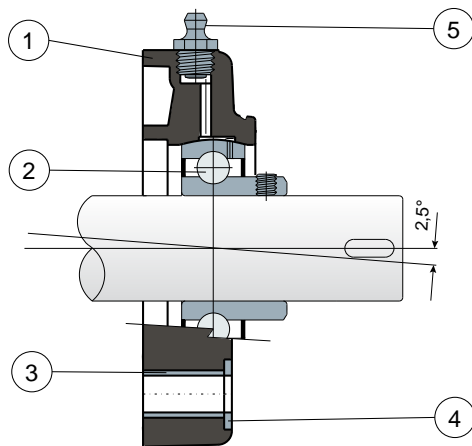
Square flanged bearing supports

Serie **UCF**
Serie **MUCF**



Grub screws shaft locking - Without cover and back gasket

Eccentric collar shaft locking - Without cover and back gasket



- 1) Housing made out of black, white or blue Ral 5005 colour polyamide reinforced with glass fibers.
- 2) Chrome steel or stainless steel bearing AISI 440.
- 2B) Chrome steel bearing.
- 3) Spacer for fixing reinforcement made out of stainless steel AISI 304.
- 4) UNI 6592 support washer made out of stainless steel AISI 304.
- 5) Greaser, straight type with 1/8 gas thread, made out of nickel-plated brass.

NOTE: The only difference from UCF/C series is lack of back gasket and protection cover, which can be ordered separately as accessories.

Support dimensions respect ISO 3228 set of rules.

Maximum shaft alignment error 2,5°

For further information please contact our technical office or sales department.

MATERIALS: Housing is made out of PA + glass fiber in black, white or blue Ral 5005 colours; bearing with grub screws shaft locking in chrome steel or stainless steel; bearing with eccentric collar shaft locking in chrome steel; greaser made out of nickel plated brass; reinforcement bushings and washers made out of stainless steel AISI 304; gaskets made out of NBR rubber; cover made out of polypropylene grey Ral 7042, blue Ral 5015, orange Ral 2004 or red Ral 3000 colour.

FEATURES: The difference from UCF/C series is lack of back gasket and protection cover, which can be ordered separately as accessories. Assembly with shouldered and not shouldered shafts. Maximum shaft alignment error 2.5°.

BOX QUANTITY: 8 pieces.

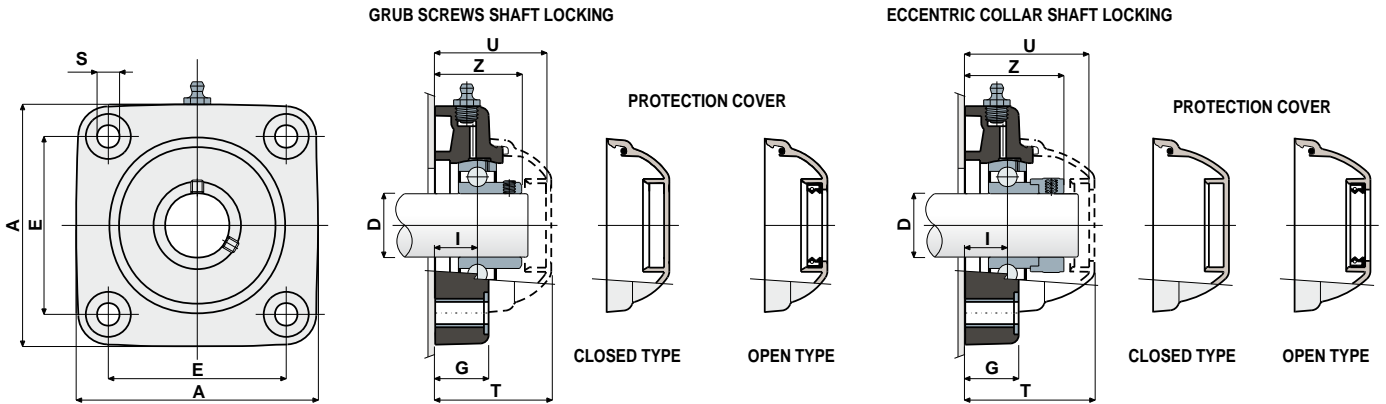
ON REQUEST: Versions with body in polypropylene + glass fiber and antibacterial additive; protection cover in different colours and with customized brand; box quantity according to your request; Viton gaskets, "Long life" bearings.



Square flanged bearing supports

Technical data

Serie **UCF**
Serie **MUCF**



GRUB SCREWS SHAFT LOCKING

D	SERIE	CHROME STEEL BEARING											COVER CODES											
		Support CODES			DIMENSIONS (mm)								Bearing load (N)		Bearing support load		GREY RAL 7042		BLUE RAL 5015		ORANGE RAL 2004		RED RAL 3000	
		Black	White	Blue Ral 5005	E	A	S	G	I	Z	U	T	C	CO	(N)	Closed	Open	Closed	Open	Closed	Open	Closed	Open	
20	UCF 204	80258	84628	87682	63,5	90	10,5	19	15,5	33,5	44	46,5	12800	6600	16500	80254	80255	87259	83901	82305	82306	87540	87541	
25	UCF 205	80054	84629	87683	70	99,5	10,5	22	17,4	37	47	49,5	14000	7800	17000	80075	80076	85384	85385	82276	82277	87542	87543	
30	UCF 206	80010	84630	87684	83	113	10,5	26	20,7	41	52,5	55	19500	11300	17500	80011	80053	84100	80354	82278	82279	87531	87530	
30	MUCF 206	84043	84631	87685	83	113	10,5	26	20,7	41	65	68	19500	11300	17500	80256	80494	83088	87271	82280	87555	87528	87569	
35	UCF 207	80055	84632	87686	92	122	10,5	26	20	45	57	59	25500	15300	18000	80077	80078	80969	80275	82284	82285	87544	87545	
35	MUCF 207	82652	84633	87687	83	113	10,5	26	20	45	65	68	25500	15300	18000	80256	80495	83088	87277	82280	87557	87528	87529	
40	UCF 208	80259	84634	87688	102	133	10,5	26	19,5	48,5	65	68	32500	19800	18000	80256	80257	83088	86722	82280	82281	87528	82804	
40	MUCF 208	80712	84635	87689	83	113	10,5	26	19,5	48,5	65	68	32500	19800	18000	80256	80257	83088	86722	82280	82281	87528	82804	

ECCENTRIC COLLAR SHAFT LOCKING

D	SERIE	CHROME STEEL BEARING											COVER CODES					
		Support CODES			DIMENSIONS (mm)								Bearing load (N)		Bearing support load		GREY RAL 7042	
		Black	White	Blue Ral 5005	E	A	S	G	I	Z	U	T	C	CO	(N)	Closed	Open	
20	UCF 204	88464	88470	88478	63,5	90	10,5	19	15,5	39	51	53,5	12800	6600	16500	88371	88372	
25	UCF 205	88465	88471	88479	70	99,5	10,5	22	17,4	40,9	52,9	55,4	14000	7800	17000	88373	88374	
30	UCF 206	88466	88472	88480	83	113	10,5	26	20,7	47,4	59,4	61,9	19500	11300	17500	88375	88376	
30	MUCF 206	87203	88473	88481	83	113	10,5	26	20,7	47,4	65	68	19500	11300	17500	80256	80494	
35	UCF 207	88467	88474	88482	92	122	10,5	26	20	49,3	61,3	63,8	25500	15300	18000	88377	88378	
35	MUCF 207	88468	88475	88483	83	113	10,5	26	20	49,3	65	68	25500	15300	18000	80256	80495	
40	UCF 208	88469	88476	88484	102	133	10,5	26	19,5	52,2	65	68	32500	19800	18000	80256	80257	
40	MUCF 208	87205	88477	88485	83	113	10,5	26	19,5	52,2	65	68	32500	19800	18000	80256	80257	

NEW

GRUB SCREWS SHAFT LOCKING

D	SERIE	STAINLESS STEEL BEARING AISI 440											COVER CODES											
		Support CODES			DIMENSIONS (mm)								Bearing load (N)		Bearing support load		GREY RAL 7042		BLUE RAL 5015		ORANGE RAL 2004		RED RAL 3000	
		Black	White	Blue Ral 5005	E	A	S	G	I	Z	U	T	C	CO	(N)	Closed	Open	Closed	Open	Closed	Open	Closed	Open	
20	UCF 204	80514	84636	87690	63,5	90	10,5	19	15,5	33,5	44	46,5	8300	6600	16500	80254	80255	87259	83901	82305	82306	87540	87541	
25	UCF 205	80515	84637	87691	70	99,5	10,5	22	17,4	37	47	49,5	9150	7800	17000	80075	80076	85384	85385	82276	82277	87542	87543	
30	UCF 206	80976	84638	87692	83	113	10,5	26	20,7	41	52,5	55	12500	11200	17500	80011	80053	84100	80354	82278	82279	87531	87530	
30	MUCF 206	84044	84639	87693	83	113	10,5	26	20,7	41	65	68	12500	11200	17500	80256	80494	83088	87271	82280	87555	87528	87569	
35	UCF 207	81052	84640	87694	92	122	10,5	26	20	45	57	59	16600	15300	18000	80077	80078	80969	80275	82284	82285	87544	87545	
35	MUCF 207	83468	84641	87695	83	113	10,5	26	20	45	65	68	16600	15300	18000	80256	80495	83088	87277	82280	87557	87528	87529	
40	UCF 208	80695	84642	87696	102	133	10,5	26	19,5	48,5	65	68	20000	19000	18000	80256	80257	83088	86722	82280	82281	87528	82804	
40	MUCF 208	81045	84643	87697	83	113	10,5	26	19,5	48,5	65	68	20000	19000	18000	80256	80257	83088	86722	82280	82281	87528	82804	

GRUB SCREWS SHAFT LOCKING - VERSIONS WITH MEASURES IN INCHES

D	SERIE	CHROME STEEL BEARING											COVER CODES											
		Support CODES			DIMENSIONS (mm)								Bearing load (N)		Bearing support load		GREY RAL 7042		BLUE RAL 5015		ORANGE RAL 2004		RED RAL 3000	
		Black	White	Blue Ral 5005	E	A	S	G	I	Z	U	T	C	CO	(N)	Closed	Open	Closed	Open	Closed	Open	Closed	Open	
1"	25,4	UCF 205	84496	84887	87698	70	99,5	10,5	22	17,4	37	47	49,5	14000	7800	17000	80075	85202	85384	87273	82276	87660	87542	87663
1 1/4"	31,75	UCF 206	84497	84888	87699	83	113	10,5	26	20,7	41	52,5	55	19500	11300	17500	80011	85203	84100	87274	82278	87661	87531	87664
1 1/4"	31,75	MUCF 206	84498	85183	87700	83	113	10,5	26	20,7	41	65	68	19500	11300	17500	80256	85204	83088	87275	82280	87662	87528	87665

S Self-aligning bearings with Solid body: completely closed surface to guarantee the max hygiene.

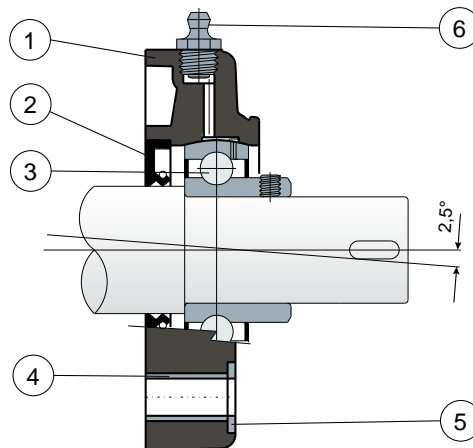


Square flanged bearing supports

Serie **UCF/CS**
Serie **MUCF/CS**



Back gasket for shouldered shaft



- 1) Housing made out of black or white colour polyamide reinforced with glass fibers.
- 2) Back gasket made out of NBR rubber for turning shaft seal.
- 3) Chrome steel or stainless steel bearing AISI 440.
- 4) Spacer for fixing reinforcement made out of stainless steel AISI 304.
- 5) UNI 6592 support washer made out of stainless steel AISI 304.
- 6) Greaser, straight type with 1/8 gas thread, made out of nickel-plated brass.

Support dimensions respect ISO 3228 set of rules.

Maximum shaft alignment error 2,5°

For further information please contact our technical office or sales department.

MATERIALS: Housing is made out of PA + glass fiber in black or white colours; chrome steel or stainless steel bearing; greaser made out of nickel plated brass; reinforcement bushings and washers made out of stainless steel AISI 304; gaskets made out of NBR rubber; cover made out of polypropylene grey Ral 7042, blue Ral 5015, orange Ral 2004 or red Ral 3000 colour.

FEATURES: Back gasket for shouldered shafts; protection cover can be ordered separately as accessory. Use of shouldered shafts allows a higher capability of axial load. Maximum shaft alignment error 2.5°.

BOX QUANTITY: 8 pieces.

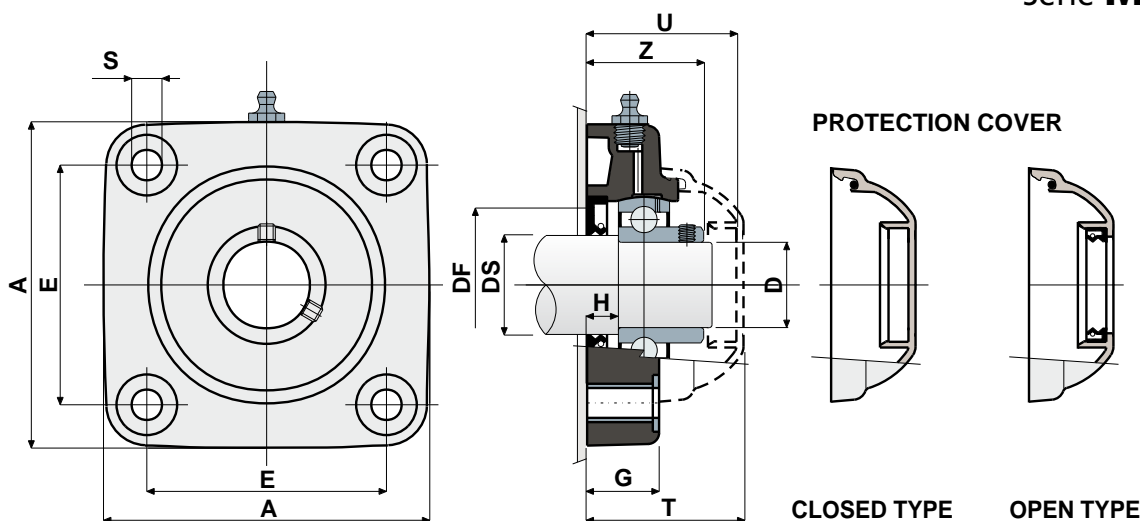
ON REQUEST: Versions with body in polypropylene + glass fiber and antibacterial additive; protection cover in different colours and with customized brand; box quantity according to your request; Viton gaskets, "Long life" bearings.



Square flanged bearing supports

Technical data

Serie **UCF/CS**
Serie **MUCF/CS**



CHROME STEEL BEARING														COVER CODES											
DS	D	SERIE	Support CODES		DIMENSIONS (mm)										Bearing load (N)	Bearing support load (N)	GREY RAL 7042		BLUE RAL 5015		ORANGE RAL 2004		RED RAL 3000		
			Black	White	E	A	S	G	H	Z	U	T	DF				C	CO	Closed	Open	Closed	Open	Closed	Open	Closed
25	20	UCF 204 CS	80260	85246	63,5	90	10,5	19	8,5	33,5	44	46,5	45	40	12800	6600	16500	80254	80255	87259	83901	82305	82306	87540	87541
30	25	UCF 205 CS	80178	85247	70	99,5	10,5	22	10	37	47	49,5	50	45	14000	7800	17000	80075	80076	85384	85385	82276	82277	87542	87543
35	30	UCF 206 CS	80179	85248	83	113	10,5	26	11,5	41	52,5	55	60	50	19500	11300	17500	80011	80053	84100	80354	82278	82279	87531	87530
35	30	MUCF 206 CS	84045	85249	83	113	10,5	26	11,5	41	65	68	60	50	19500	11300	17500	80256	80494	83088	87271	82280	87555	87528	87569
40	35	UCF 207 CS	80180	85250	92	122	10,5	26	10,5	45	57	59	70	55	25500	15300	18000	80077	80078	80969	80275	82284	82285	87544	87545
40	35	MUCF 207 CS	84046	85251	83	122	10,5	26	10,5	45	65	68	70	55	25500	15300	18000	80256	80495	83088	87277	82280	87557	87528	87529
45	40	UCF 208 CS	80261	85252	102	133	10,5	26	9	48,5	65	68	78	65	32500	19800	18000	80256	80257	83088	86722	82280	82281	87528	82804
45	40	MUCF 208 CS	80713	85253	83	113	10,5	26	9	48,5	65	68	78	65	32500	19800	18000	80256	80257	83088	86722	82280	82281	87528	82804

STAINLESS STEEL BEARING AISI 440														COVER CODES											
DS	D	SERIE	Support CODES		DIMENSIONS (mm)										Bearing load (N)	Bearing support load (N)	GREY RAL 7042		BLUE RAL 5015		ORANGE RAL 2004		RED RAL 3000		
			Black	White	E	A	S	G	H	Z	U	T	DF				C	CO	Closed	Open	Closed	Open	Closed	Open	Closed
25	20	UCF 204 CS	83520	85254	63,5	90	10,5	19	8,5	33,5	44	46,5	45	40	8300	6600	16500	80254	80255	87259	83901	82305	82306	87540	87541
30	25	UCF 205 CS	84146	85255	70	99,5	10,5	22	10	37	47	49,5	50	45	9150	7800	17000	80075	80076	85384	85385	82276	82277	87542	87543
35	30	UCF 206 CS	83829	85256	83	113	10,5	26	11,5	41	52,5	55	60	50	12500	11200	17500	80011	80053	84100	80354	82278	82279	87531	87530
35	30	MUCF 206 CS	85259	85261	83	113	10,5	26	11,5	41	65	68	60	50	12500	11200	17500	80256	80494	83088	87271	82280	87555	87528	87569
40	35	UCF 207 CS	84147	85257	92	122	10,5	26	10,5	45	57	59	70	55	16600	15300	18000	80077	80078	80969	80275	82284	82285	87544	87545
40	35	MUCF 207 CS	85260	85262	83	122	10,5	26	10,5	45	65	68	70	55	16600	15300	18000	80256	80495	83088	87277	82280	87557	87528	87529
45	40	UCF 208 CS	80322	85258	102	133	10,5	26	9	48,5	65	68	78	65	20000	19000	18000	80256	80257	83088	86722	82280	82281	87528	82804
45	40	MUCF 208 CS	83828	85263	83	113	10,5	26	9	48,5	65	68	78	65	20000	19000	18000	80256	80257	83088	86722	82280	82281	87528	82804

Self-aligning bearings with Solid body: completely closed surface to guarantee the max hygiene.



Square flanged bearing supports

Serie **UCF/CA**



On request covers in polypropylene blue Ral 5015 colour.

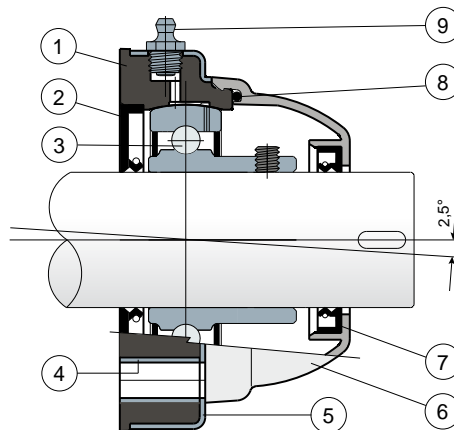


On request covers in polypropylene orange Ral 2004 colour.



On request covers in polypropylene red Ral 3000 colour.

External cover made out of stainless steel AISI 304



- 1) Internal body of support made out of black colour polypropylene reinforced with glass fibers.
- 2) Back gasket made out of NBR rubber for turning shaft seal.
- 3) Chrome steel or stainless steel bearing AISI 440.
- 4) Spacer for fixing reinforcement made out of stainless steel AISI 304.
- 5) External cover of support made out of AISI 304 stainless steel.
- 6) Protection cover made out of polypropylene (grey colour Ral 7042).
- 7) Front gasket made out of NBR rubber for turning shaft seal.
- 8) OR gasket made out of NBR rubber
- 9) Greaser, straight type with 1/8 gas thread, made out of nickel-plated brass.

Maximum shaft alignment error 2,5°

For further information please contact our technical office or sales department.

MATERIALS: Support made out of black colour PP + glass fiber; external cover of support made out of stainless steel AISI 304; chrome steel or stainless steel bearing; greaser made out of nickel plated brass; reinforcement bushings made out of stainless steel AISI 304; gaskets made out of NBR rubber; protection cover made out of grey RAL 7042 colour polypropylene.

FEATURES: Full protection of bearing against external agents. Housing in polypropylene covered with a layer of AISI 304 stainless steel, to obtain the maximum chemical resistance to antibacterial detergents used in the food processing sector. More over this part is moulded without internal cavities in order to obtain the best sanitation. Assembly with not shouldered shaft. Maximum shaft alignment error 2.5°.

BOX QUANTITY: 8 pieces.

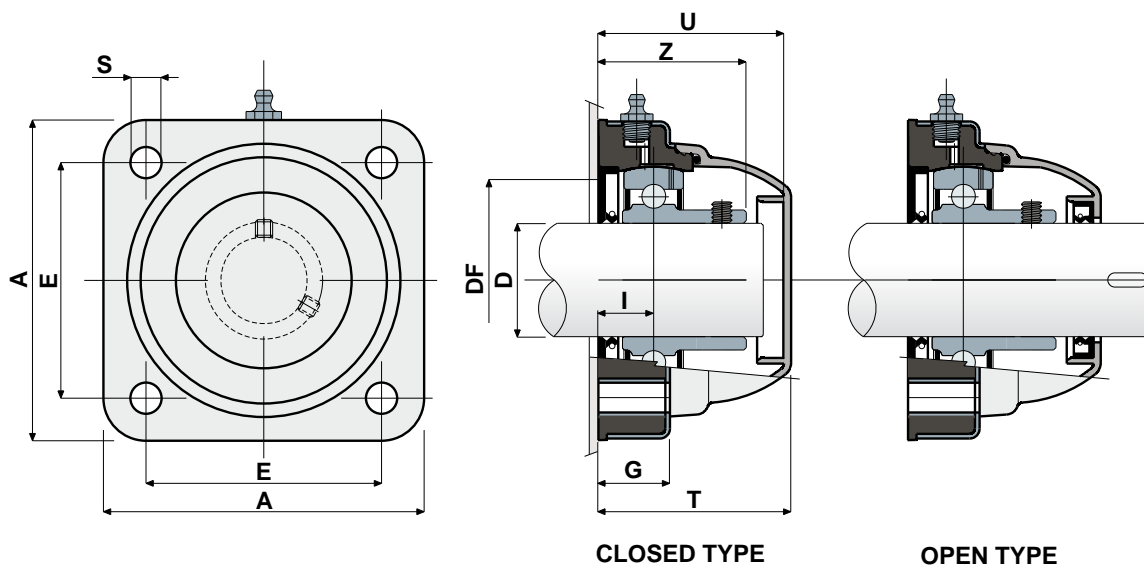
ON REQUEST: Protection covers in different colours and with customized brand; supports with eccentric collar shaft locking with chrome steel bearing; box quantity according to your request; internal body in reinforced polypropylene white or blue Ral 5005 colour; Viton gaskets, "Long life" bearings.



Square flanged bearing supports

Technical data

Serie **UCF/CA**



D (mm)	SERIE	CODES		CHROME STEEL BEARING											Bearing load (N)		Bearing support load
		Closed	Open	DIMENSIONS (mm)											C	C0	(N)
				E	A	S	G	I	Z	U	T	DF					
30	UCF 206 CA	80409	80410	83	113	11	27	20	41	65	68	68	60	50	19500	11300	17500
35	UCF 207 CA	80485	80486	83	113	11	27	19,5	45	65	68	70	55	25500	15300	18000	
40	UCF 208 CA	80411	80412	83	113	11	27	19,5	48,5	65	68	78	65	32500	19800	18000	

D (mm)	SERIE	CODES		STAINLESS STEEL BEARING AISI 440											Bearing load (N)		Bearing support load
		Closed	Open	DIMENSIONS (mm)											C	C0	(N)
				E	A	S	G	I	Z	U	T	DF					
30	UCF 206 CA	80453	80464	83	113	11	27	20	41	65	68	60	50	12500	11200	17500	
35	UCF 207 CA	81059	81060	83	113	11	27	19,5	45	65	68	70	55	16600	15300	18000	
40	UCF 208 CA	80454	81061	83	113	11	27	19,5	48,5	65	68	78	65	20000	19000	18000	

VERSIONS WITH MEASURES IN INCHES

D (inches)	D (mm)	SERIE	CODES		CHROME STEEL BEARING											Bearing load (N)		Bearing support load
			Closed	Open	DIMENSIONS (mm)											C	C0	(N)
					E	A	S	G	I	Z	U	T	DF					
1"1/4	31,75	UCF 206 CA	84499	84503	83	113	11	27	20	41	65	68	60	50	19500	11300	17500	

Self-aligning bearings with Solid body: completely closed surface to guarantee the max hygiene.



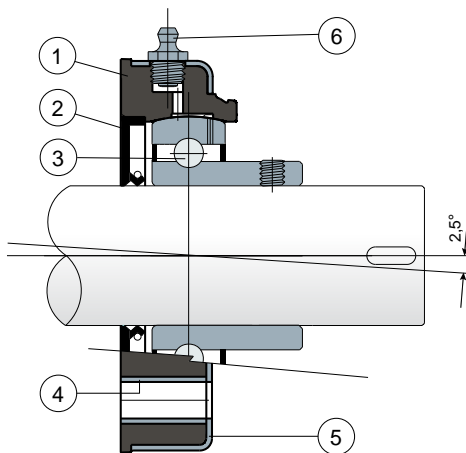
Square flanged bearing supports

Serie **UCF/CXA**



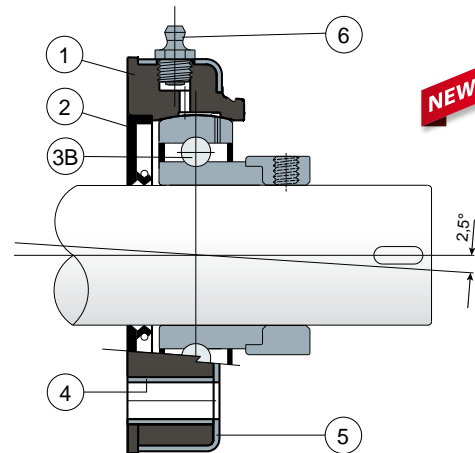
Grub screws shaft locking

External cover made out of stainless steel AISI 304; without protection cover



Eccentric collar shaft locking

External cover made out of stainless steel AISI 304; without protection cover



- 1) Internal body of support made out of black colour polypropylene reinforced with glass fibers.
- 2) Back gasket made out of NBR rubber for turning shaft seal.
- 3) Chrome steel or stainless steel bearing AISI 440.
- 3B) Chrome steel bearing.
- 4) Spacer for fixing reinforcement made out of stainless steel AISI 304.
- 5) External cover of support made out of AISI 304 stainless steel.
- 6) Greaser, straight type with 1/8 gas thread, made out of nickel-plated brass.

NOTE: The only difference from UCF/CA series is lack of protection cover, which can be ordered separately as an accessory.

Maximum shaft alignment error 2,5°

For further information please contact our technical office or sales department.

MATERIALS: Support made out of black colour PP + glass fiber; external cover of support made out of stainless steel AISI 304; bearing with grub screws shaft locking in chrome steel or stainless steel; bearing with eccentric collar shaft locking in chrome steel; greaser made out of nickel plated brass; reinforcement bushings made out of stainless steel AISI 304; gaskets made out of NBR rubber; protection cover made out of polypropylene grey Ral 7042, blue Ral 5015, orange Ral 2004 or red Ral 3000 colour.

FEATURES: The only difference from UCF/CA series is lack of protection cover, which can be ordered separately as an accessory. Housing in polypropylene covered with a layer of AISI 304 stainless steel, to obtain the maximum chemical resistance to antibacterial detergents used in the food processing sector. More over this part is moulded without internal cavities in order to obtain the best sanification. Assembly with not shouldered shaft. Maximum shaft alignment error 2.5°.

BOX QUANTITY: 8 pieces.

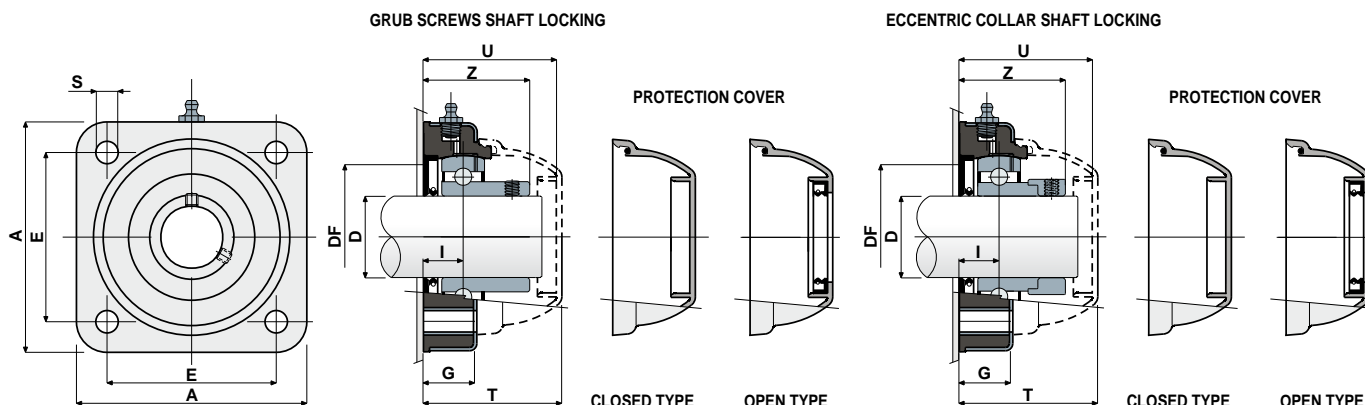
ON REQUEST: Protection covers in different colours and with customized brand; internal body in reinforced polypropylene white or blue Ral 5005 colour; box quantity according to your request; Viton gaskets, "Long life" bearings.



Square flanged bearing supports

Technical data

Serie **UCF/CXA**



GRUB SCREWS SHAFT LOCKING

D (mm)	SERIE	Support CODES	CHROME STEEL BEARING										Bearing load (N)		Bearing support load		COVER CODES							
			DIMENSIONS (mm)										C	CO	(N)	GREY RAL 7042		BLUE RAL 5015		ORANGE RAL 2004		RED RAL 3000		
			E	A	S	G	I	Z	U	T	DF					Closed	Open	Closed	Open	Closed	Open	Closed	Open	
30	UCF 206 CXA	80413	83	113	11	27	20	41	65	68	60	50	19500	11300	17500	80494	87271	87555	87569					
35	UCF 207 CXA	80479	83	113	11	27	19,5	45	65	68	70	55	25500	15300	18000	80256	80495	83088	87277	82280	87557	87528	87529	
40	UCF 208 CXA	80414	83	113	11	27	19,5	48,5	65	68	78	65	32500	19800	18000	80257	86722	82281	82804					

ECCENTRIC COLLAR SHAFT LOCKING

D (mm)	SERIE	Support CODES	CHROME STEEL BEARING										Bearing load (N)		Bearing support load		COVER CODES						
			DIMENSIONS (mm)										C	CO	(N)	GREY RAL 7042							
			E	A	S	G	I	Z	U	T	DF					Closed	Open						
30	UCF 206 CXA	87195	83	113	11	27	20	47	65	68	60	50	19500	11300	17500	80494	80495	82280	87557	87528	87529		
35	UCF 207 CXA	88486	83	113	11	27	19,5	49	65	68	70	55	25500	15300	18000	80256	80495	83088	87277	82280	87557	87528	87529
40	UCF 208 CXA	88487	83	113	11	27	19,5	52,2	65	68	78	65	32500	19800	18000	80257	86722	82281	82804				



GRUB SCREWS SHAFT LOCKING

D (mm)	SERIE	Support CODES	STAINLESS STEEL BEARING AISI 440										Bearing load (N)		Bearing support load		COVER CODES							
			DIMENSIONS (mm)										C	CO	(N)	GREY RAL 7042		BLUE RAL 5015		ORANGE RAL 2004		RED RAL 3000		
			E	A	S	G	I	Z	U	T	DF					Closed	Open	Closed	Open	Closed	Open	Closed	Open	
30	UCF 206 CXA	80499	83	113	11	27	20	41	65	68	60	50	12500	11200	17500	80494	87271	87555	87569					
35	UCF 207 CXA	80500	83	113	11	27	19,5	45	65	68	70	55	16600	15300	18000	80256	80495	83088	87277	82280	87557	87528	87529	
40	UCF 208 CXA	80501	83	113	11	27	19,5	48,5	65	68	78	65	20000	19000	18000	80257	86722	82281	82804					

GRUB SCREWS SHAFT LOCKING - VERSIONS WITH MEASURES IN INCHES

D (inches)	D (mm)	SERIE	Support CODES	CHROME STEEL BEARING										Bearing load (N)		Bearing support load		COVER CODES							
				DIMENSIONS (mm)										C	CO	(N)	GREY RAL 7042		BLUE RAL 5015		ORANGE RAL 2004		RED RAL 3000		
				E	A	S	G	I	Z	U	T	DF					Closed	Open	Closed	Open	Closed	Open	Closed	Open	
1 1/4	31,75	UCF 206 CXA	84505	83	113	11	27	20	41	65	68	60	50	19500	11300	17500	80256	85204	83088	87275	82280	87662	87528	87665	



Self-aligning bearings with Solid body: completely closed surface to guarantee the max hygiene.

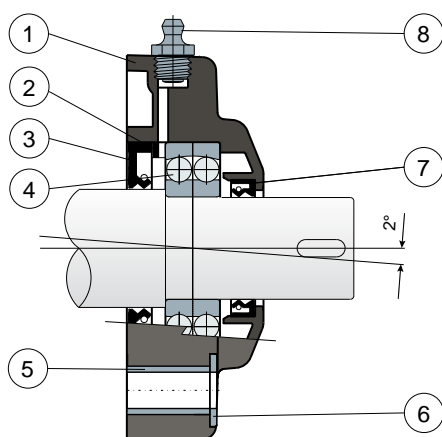
Square flanged bearing supports

Serie **F**

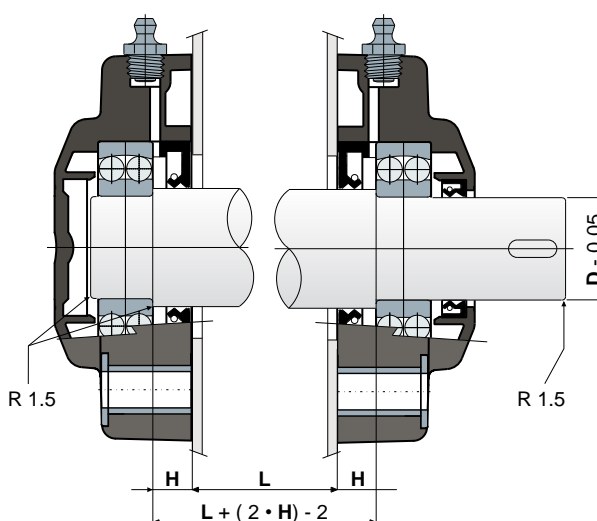


The bearing cover integrated into the body of the support guarantees maximum sanitation

Back gasket for shouldered shaft



Mounting specifications



- 1) Housing made out of black or white colour polyamide reinforced with glass fibers.
- 2) Intermediate bearing ring spacer made out of black colour polyamide reinforced with glass fibers.
- 3) Back gasket made out of NBR rubber for turning shaft seal.
- 4) Chrome steel bearing type 1200 supplied without lubricant.
- 5) Spacer for fixing reinforcement made out of stainless steel AISI 304.
- 6) UNI 6592 support washer made out of stainless steel AISI 304.
- 7) Front gasket made out of NBR rubber for turning shaft seal.
- 8) Greaser, straight type with 1/8 gas thread, made out of nickel-plated brass.

Support dimensions respect ISO 3228 set of rules

Maximum shaft alignment error 2°

For further information please contact our technical office or sales department.

MATERIALS: Housing is made out of PA + glass fiber in black or white colours; Intermediate bearing ring spacer made out of black colour PA + glass fiber; chrome steel bearing; greaser made out of nickel plated brass; reinforcement bushings and washers made out of stainless steel AISI 304; gaskets made out of NBR rubber.

FEATURES: Back gasket for shouldered shafts. Use of shouldered shafts allows a higher capability of axial load. Maximum shaft alignment error 2°.

BOX QUANTITY: 8 pieces.

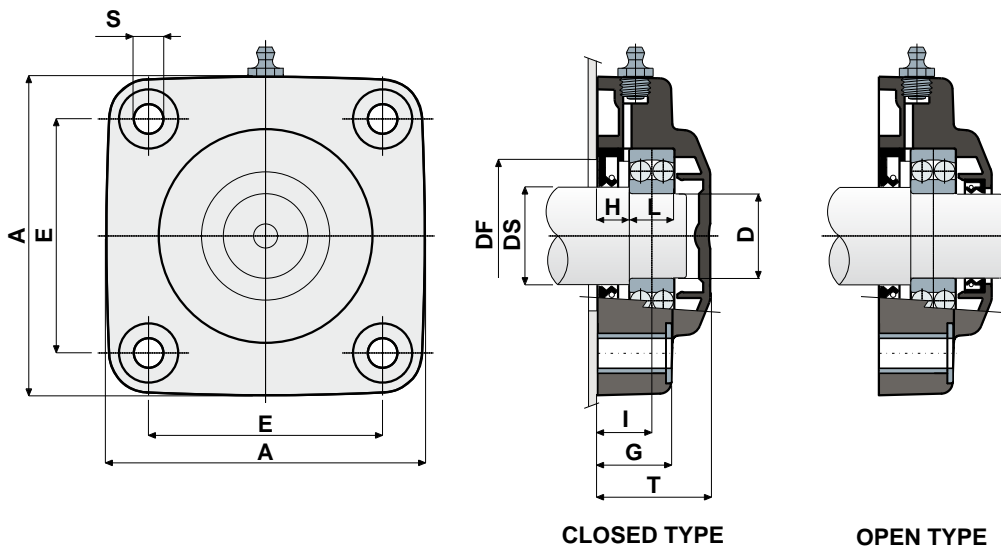
ON REQUEST: Versions with body in polypropylene + glass fiber and antibacterial additive; box quantity according to your request; Viton gaskets.



Square flanged bearing supports

Technical data

Serie **F**



CHROME STEEL BEARING																				
DS	D	SERIE	CODES				DIMENSIONS (mm)											Bearing load (N)		Bearing support load
			Black		White		E	A	S	G	H	I	L	T	DF		C	C0	(N)	
			Closed	Open	Closed	Open									Max	Min				
30	25	F 1205	87469	87475	87470	87476	70	99	10,5	22	11	18,8	15	36,5	50	45	14300	4000	17250	
35	30	F 1206	87481	87487	87482	87488	83	113	10,5	26	11	19,3	16	40	60	50	15600	4650	17250	



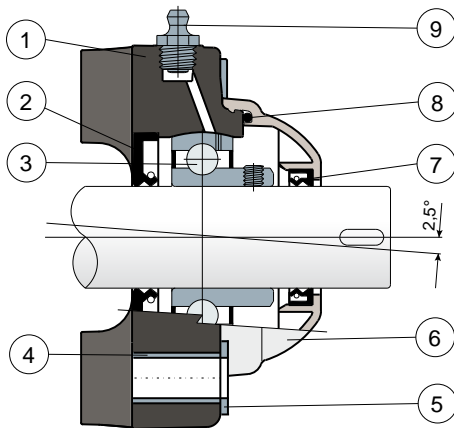
Square flanged bearing supports

Serie **UCF/C**

NEW



Full protection of bearing



- 1) Housing made out of blue Ral 5005 colour polyamide reinforced with glass fibers.
- 2) Back gasket made out of NBR rubber for turning shaft seal.
- 3) Chrome steel or stainless steel bearing AISI 440.
- 4) Spacer for fixing reinforcement made out of stainless steel AISI 304.
- 5) UNI 6592 support washer made out of stainless steel AISI 304.
- 6) Protection cover made out of polypropylene (orange Ral 2004 colour).
- 7) Front gasket made out of NBR rubber for turning shaft seal.
- 8) OR gasket made out of NBR rubber
- 9) Greaser, straight type with 1/8 gas thread, made out of stainless steel AISI 303.

Support dimensions respect ISO 3228 set of rules
 Maximum shaft alignment error 2,5°
 For further information please contact our technical office or sales department.

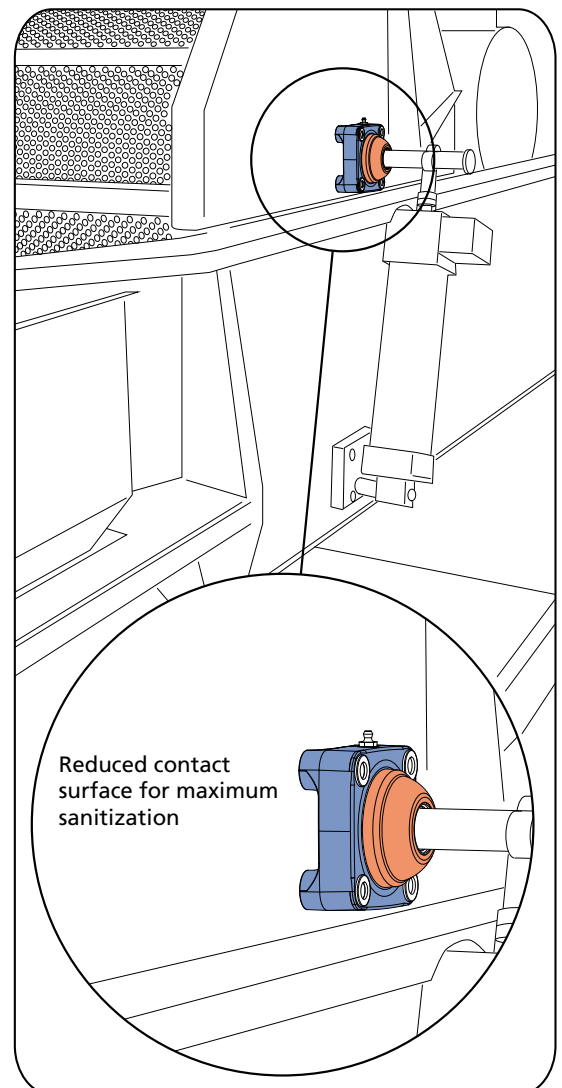
MATERIALS: Support made out of blue Ral 5005 colour PA + glass fiber; chrome steel or stainless steel bearing; greaser made out of stainless steel; reinforcement bushings and washers made out of stainless steel AISI 304; gaskets made out of NBR rubber; cover made out of orange Ral 2004 colour polypropylene.

FEATURES: Full protection of bearing against external agents. Assembly with not shouldered shafts. The reduced contact surface of the base of the support allows maximum sanification. Maximum shaft alignment error 2.5°.

BOX QUANTITY: 8 pieces.

ON REQUEST: Versions with body in polypropylene + glass fiber and antibacterial additive; supports with eccentric collar shaft locking with chrome steel bearing; protection cover in different colours and with customized brand; box quantity according to your request; Viton gaskets, "Long life" bearings.

Example of application

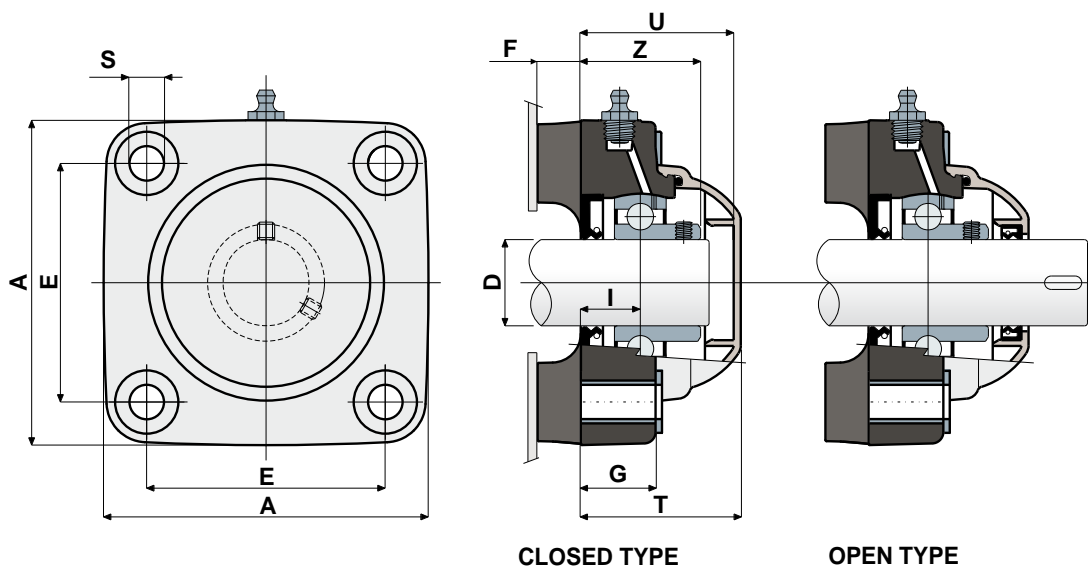




Square flanged bearing supports

Technical data

Serie **UCF/C**



CLOSED TYPE

OPEN TYPE

CHROME STEEL BEARING															
D	SERIE	Support CODES		DIMENSIONS (mm)									Bearing load (N)		Bearing support load
		Blue Ral 5005		E	A	S	F	G	I	Z	U	T	C	CO	(N)
		Closed	Open												
25	UCF 205 C	88684	88685	70	99,5	10,5	15	22	17,4	37	47	49,5	14000	7800	17000
30	UCF 206 C	88688	88689	83	113	10,5	15	26	20	42	53,2	55,7	19500	11300	17500

STAINLESS STEEL BEARING AISI 440															
D	SERIE	Support CODES		DIMENSIONS (mm)									Bearing load (N)		Bearing support load
		Blue Ral 5005		E	A	S	F	G	I	Z	U	T	C	CO	(N)
		Closed	Open												
25	UCF 205 C	88686	88687	70	99,5	10,5	15	22	17,4	37	47	49,5	9150	7800	17000
30	UCF 206 C	88690	88691	83	113	10,5	15	26	20	42	53,2	55,7	12500	11200	17500

Self-aligning bearings with Solid body: completely closed surface to guarantee the max hygiene.



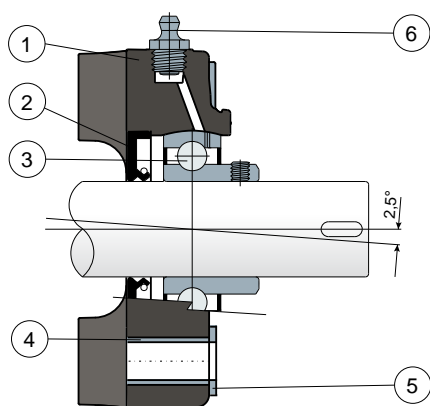
Square flanged bearing supports

Serie **UCF/CX**

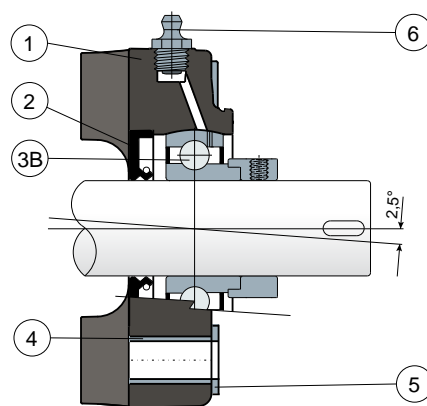
NEW



Grub screws shaft locking - Without protection cover



Eccentric collar shaft locking - Without protection cover



- 1) Housing made out of blue Ral 5005 colour polyamide reinforced with glass fibers.
- 2) Back gasket made out of NBR rubber for turning shaft seal.
- 3) Chrome steel or stainless steel bearing AISI 440.
- 3B) Chrome steel bearing.
- 4) Spacer for fixing reinforcement made out of stainless steel AISI 304.
- 5) UNI 6592 support washer made out of stainless steel AISI 304.
- 6) Greaser, straight type with 1/8 gas thread, made out of stainless steel AISI 303.

NOTE: The only difference from UCF/C series is lack of protection cover, which can be ordered separately as an accessory.

Support dimensions respect ISO 3228 set of rules

Maximum shaft alignment error 2,5°

For further information please contact our technical office or sales department.

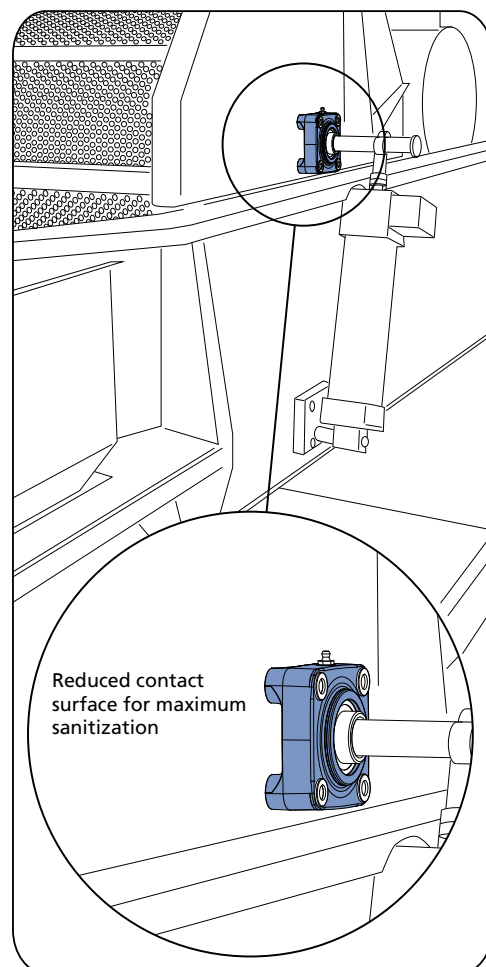
MATERIALS: Support made out of blue Ral 5005 colour PA + glass fiber; bearing with grub screws shaft locking in chrome steel or stainless steel; bearing with eccentric collar shaft locking in chrome steel; greaser made out of stainless steel; reinforcement bushings and washers made out of stainless steel AISI 304; gaskets made out of NBR rubber; cover made out of polypropylene grey Ral 7042, blue Ral 5015, orange Ral 2004, red Ral 3000 colour.

FEATURES: The difference from UCF/C series is lack of protection cover which can be ordered separately as an accessory. The reduced contact surface of the base of the support allows maximum sanitification. Assembly with not shouldered shafts. Maximum shaft alignment error 2.5°.

BOX QUANTITY: 8 pieces.

ON REQUEST: Versions with body in polypropylene + glass fiber and antibacterial additive; protection cover in different colours and with customized brand; box quantity according to your request; Viton gaskets, "Long life" bearings.

Example of application

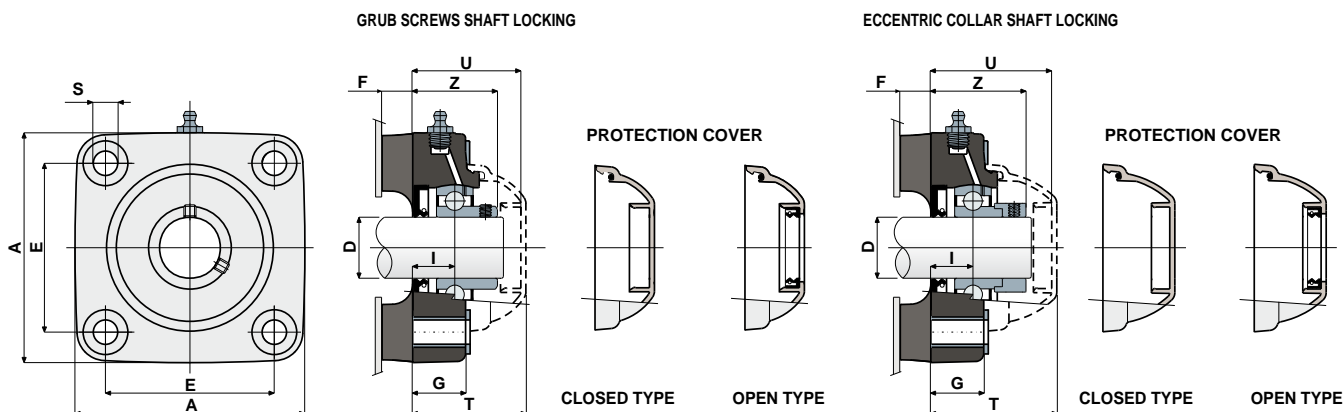




Square flanged bearing supports

Technical data

Serie **UCF/CX**



GRUB SCREWS SHAFT LOCKING

D	SERIE	CHROME STEEL BEARING											COVER CODES											
		Support CODES	DIMENSIONS (mm)										Bearing load (N)		Bearing support load		GREY RAL 7042		BLUE RAL 5015		ORANGE RAL 2004		RED RAL 3000	
		Blue Ral 5005	E	A	S	F	G	I	Z	U	T	C	CO	(N)	Closed	Open	Closed	Open	Closed	Open	Closed	Open		
25	UCF 205 CX	88692	70	99,5	10,5	15	22	17,4	37	47	49,5	14000	7800	17000	80075	80076	85384	85385	82276	82277	87542	87543		
30	UCF 206 CX	88693	83	113	10,5	15	26	20	42	53,2	55,7	19500	11300	17500	80011	80053	84100	80354	82278	82279	87531	87530		

ECCENTRIC COLLAR SHAFT LOCKING

D	SERIE	CHROME STEEL BEARING											COVER CODES					
		Support CODES	DIMENSIONS (mm)										Bearing load (N)		Bearing support load		GREY RAL 7042	
		Blue Ral 5005	E	A	S	F	G	I	Z	U	T	C	CO	(N)	Closed	Open		
25	UCF 205 CX	88696	70	99,5	10,5	15	22	17,4	40,9	52,9	55,4	14000	7800	17000	88373	88374		
30	UCF 206 CX	88697	83	113	10,5	15	26	20	46,7	59,4	61,9	19500	11300	17500	88375	88376		

GRUB SCREWS SHAFT LOCKING

D	SERIE	STAINLESS STEEL BEARING AISI 440											COVER CODES											
		Support CODES	DIMENSIONS (mm)										Bearing load (N)		Bearing support load		GREY RAL 7042		BLUE RAL 5015		ORANGE RAL 2004		RED RAL 3000	
		Blue Ral 5005	E	A	S	F	G	I	Z	U	T	C	CO	(N)	Closed	Open	Closed	Open	Closed	Open	Closed	Open		
25	UCF 205 CX	88694	70	99,5	10,5	15	22	17,4	37	47	49,5	9150	7800	17000	80075	80076	85384	85385	82276	82277	87542	87543		
30	UCF 206 CX	88695	83	113	10,5	15	26	20	42	53,2	55,7	12500	11200	17500	80011	80053	84100	80354	82278	82279	87531	87530		



Self-aligning bearings with Solid body: completely closed surface to guarantee the max hygiene.

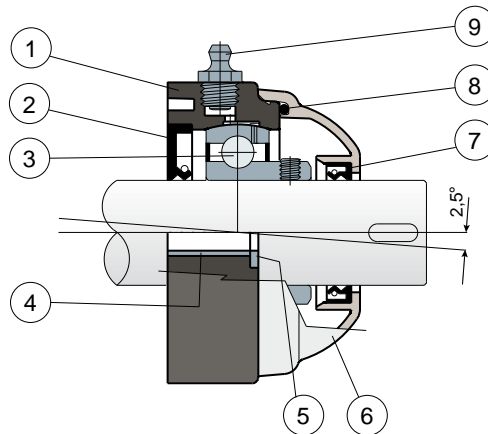


Oval flanged bearing supports

Serie **UCFL/C**
Serie **MUCFL/C**



Full protection of bearing



- 1) Housing made out of black or white colour polyamide reinforced with glass fibers.
- 2) Back gasket made out of NBR rubber for turning shaft seal.
- 3) Chrome steel or stainless steel bearing AISI 440.
- 4) Spacer for fixing reinforcement made out of stainless steel AISI 304.
- 5) UNI 6592 support washer made out of stainless steel AISI 304.
- 6) Protection cover made out of polypropylene (grey colour Ral 7042).
- 7) Front gasket made out of NBR rubber for turning shaft seal.
- 8) OR gasket made out of NBR rubber
- 9) Greaser, straight type with 1/8 gas thread, made out of nickel-plated brass.

Support dimensions respect ISO 3228 set of rules.

Maximum shaft alignment error 2,5°

For further information please contact our technical office or sales department.

MATERIALS: Housing is made out of PA + glass fiber in black or white colours; chrome steel or stainless steel bearing; greaser made out of nickel plated brass; reinforcement bushings and washers made out of stainless steel AISI 304; gaskets made out of NBR rubber; cover made out of grey RAL 7042 colour polypropylene.

FEATURES: Full protection of bearing against external agents. Assembly with not shouldered shafts. Maximum shaft alignment error 2.5°.

BOX QUANTITY: 8 pieces.

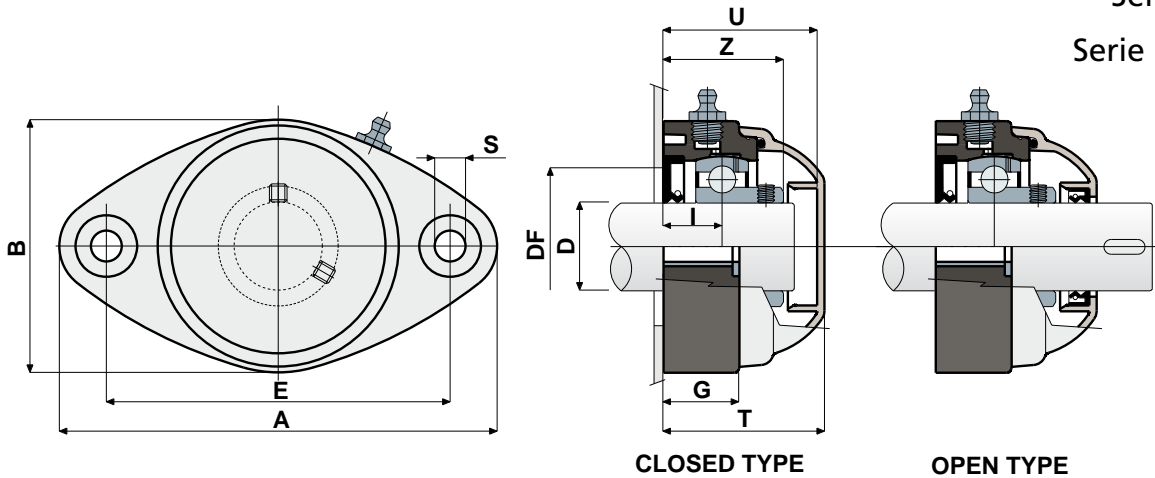
ON REQUEST: Versions with body in polypropylene + glass fiber and antibacterial additive; supports with eccentric collar shaft locking with chrome steel bearing; protection cover in different colours and with customized brand; box quantity according to your request; Viton gaskets, "Long life" bearings.



Oval flanged bearing supports

Technical data

Serie **UCFL/C**
Serie **MUCFL/C**



CHROME STEEL BEARING																			
D	SERIE	CODES				DIMENSIONS (mm)											Bearing load (N)		Bearing support load (N)
		Black		White		E	A	B	S	G	I	Z	U	T	DF		C	CO	
		Closed	Open	Closed	Open										Max	Min			
20	UCFL 204 C	80262	80263	84644	84645	90	118	64	10,5	19	15,5	33,5	44	46,5	45	40	12800	6600	8500
20	MUCFL 204 C	82858	82857	84676	84677	90	122	86	10,5	19	16	34	44	46,5	45	40	12800	6600	8500
20	MUCFL 204 C	87211	87212	87213	87214	76,5	100	70	10,5	11	15,5	33,5	44	46,5	45	40	12800	6600	8500
25	UCFL 205 C	80067	80071	84646	84647	99	131	72	10,5	22	17,4	37	47	49,5	50	45	14000	7800	10000
25	MUCFL 205 C	82860	82859	84678	84679	90	122	86	10,5	19	15,5	35	44	46,5	50	45	14000	7800	10000
30	UCFL 206 C	80068	80072	84648	84649	117	149	86	10,5	26	20	42	53	56	60	50	19500	11300	13000
30	MUCFL 206 C	82409	82408	84680	84681	90	122	86	10,5	19	13	35	52	54,5	60	50	19500	11300	13000
35	UCFL 207 C	80069	80073	84650	84651	130	163	94	10,5	26	20	45	57	59	70	55	25500	15300	14000
35	MUCFL 207 C	84014	83989	84682	84683	117	147	112	10,5	27	20	45,3	57	59,6	70	55	25500	15300	14000
40	UCFL 208 C	85217	85218	85221	85222	144	172	100	10,5	27	19,5	48,5	65,5	71	78	65	32500	19800	15000
40	MUCFL 208 C	84015	83990	84684	84685	117	147	112	10,5	27	20	48,5	65,5	68	78	65	32500	19800	15000

STAINLESS STEEL BEARING AISI 440																			
D	SERIE	CODES				DIMENSIONS (mm)											Bearing load (N)		Bearing support load (N)
		Black		White		E	A	B	S	G	I	Z	U	T	DF		C	CO	
		Closed	Open	Closed	Open										Max	Min			
20	UCFL 204 C	81062	81063	84652	84653	90	118	64	10,5	19	15,5	33,5	44	46,5	45	40	8300	6600	8500
20	MUCFL 204 C	82870	82869	84686	84687	90	122	86	10,5	19	16	34	44	46,5	45	40	8300	6600	8500
20	MUCFL 204 C	87221	87222	87223	87224	76,5	100	70	10,5	11	15,5	33,5	44	46,5	45	40	8300	6600	8500
25	UCFL 205 C	81064	81065	84654	84655	99	131	72	10,5	22	17,4	37	47	49,5	50	45	9150	7800	10000
25	MUCFL 205 C	82868	82867	84688	84689	90	122	86	10,5	19	15,5	35	44	46,5	50	45	9150	7800	10000
30	UCFL 206 C	81066	81067	84656	84657	117	149	86	10,5	26	20	42	53	56	60	50	12500	11200	13000
30	MUCFL 206 C	82767	82766	84690	84691	90	122	86	10,5	19	13	35	52	54,5	60	50	12500	11200	13000
35	UCFL 207 C	81068	81069	84658	84659	130	163	94	10,5	26	20	45	57	59	70	55	16600	15300	14000
35	MUCFL 207 C	84017	84018	84692	84693	117	147	112	10,5	27	20	45,3	57	59,6	70	55	16600	15300	14000
40	UCFL 208 C	85219	85220	85223	85224	144	172	100	10,5	27	19,5	48,5	65,5	71	78	65	20000	19000	15000
40	MUCFL 208 C	84016	83991	84694	84695	117	147	112	10,5	27	20	48,5	65,5	68	78	65	20000	19000	15000

VERSIONS WITH MEASURES IN INCHES

CHROME STEEL BEARING																				
D	SERIE	CODES				DIMENSIONS (mm)											Bearing load (N)		Bearing support load (N)	
		Black		White		E	A	B	S	G	I	Z	U	T	DF		C	CO		
		Closed	Open	Closed	Open										Max	Min				
1"	25,4	UCFL 205 C	84506	84507	84891	84892	99	131	72	10,5	22	17,4	37	47	49,5	50	45	14000	7800	10000
1"	25,4	MUCFL 205 C	84515	84539	84979	84980	90	122	86	10,5	19	15,5	35	44	46,5	50	45	14000	7800	10000
1" 1/4	31,75	UCFL 206 C	84508	84509	84893	84894	117	149	86	10,5	26	20	42	53	56	60	50	19500	11300	13000
1" 1/4	31,75	MUCFL 206 C	84516	84540	84981	84982	90	122	86	10,5	19	13	35	52	54,5	60	50	19500	11300	13000



Oval flanged bearing supports

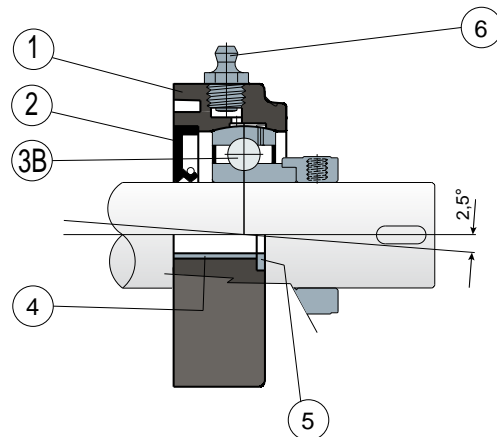
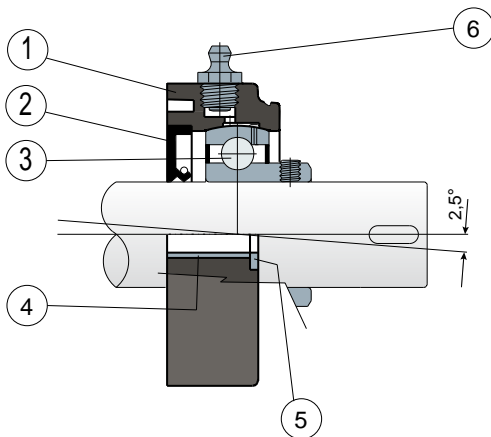
Serie **UCFL/CX**

Serie **MUCFL/CX**



Grub screws shaft locking - Without protection cover

Eccentric collar shaft locking - Without protection cover



- 1) Housing made out of black, white or blue Ral 5005 colour polyamide reinforced with glass fibers.
- 2) Back gasket made out of NBR rubber for turning shaft seal.
- 3) Chrome steel or stainless steel bearing AISI 440.
- 3B) Chrome steel bearing.
- 4) Spacer for fixing reinforcement made out of stainless steel AISI 304.
- 5) UNI 6592 support washer made out of stainless steel AISI 304.
- 6) Greaser, straight type with 1/8 gas thread, made out of nickel-plated brass.

NOTE: The only difference from UCFL/C series is lack of protection cover, which can be ordered separately as an accessory.

Support dimensions respect ISO 3228 set of rules.

Maximum shaft alignment error 2,5°

For further information please contact our technical office or sales department.

MATERIALS: Housing is made out of PA + glass fiber in black, white or blue Ral 5005 colours; bearing with grub screws shaft locking in chrome steel or stainless steel; bearing with eccentric collar shaft locking in chrome steel; greaser made out of nickel plated brass; reinforcement bushings and washers made out of stainless steel AISI 304; gaskets made out of NBR rubber; cover made out of polypropylene grey Ral 7042, blue Ral 5015, orange Ral 2004 or red Ral 3000 colour.

FEATURES: The difference from UCFL/C series is lack of protection cover which can be ordered separately as an accessory. Assembly with not shouldered shafts. Maximum shaft alignment error 2.5°.

BOX QUANTITY: 8 pieces.

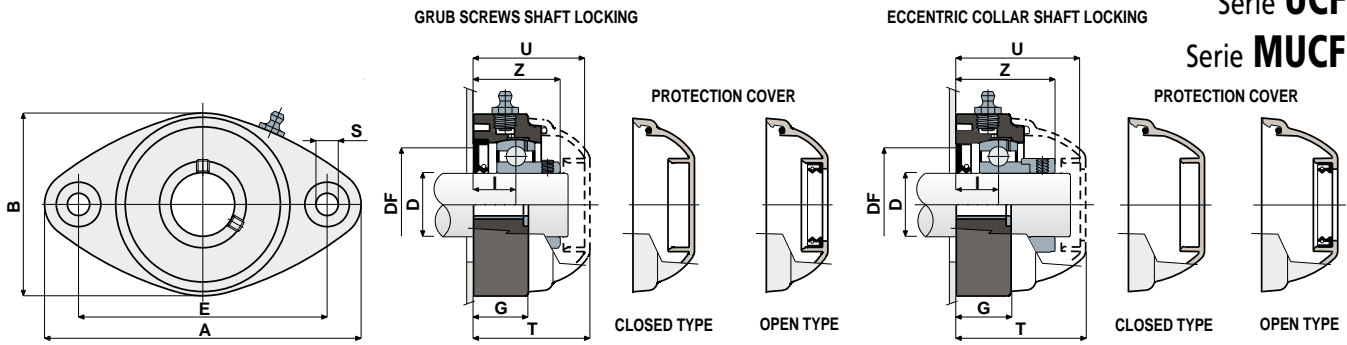
ON REQUEST: Versions with body in polypropylene + glass fiber and antibacterial additive; protection cover in different colours and with customized brand; box quantity according to your request; Viton gaskets, "Long life" bearings.



Oval flanged bearing supports

Technical data

Serie UCFL/CX
Serie MUCFL/CX



GRUB SCREWS SHAFT LOCKING

D	SERIE	Support CODES		CHROME STEEL BEARING											Bearing load (N)		Bearing support load		COVER CODES							
		Black	White	Blue Ral 5005	DIMENSIONS (mm)											C	CO	(N)	GREY RAL 7042		BLUE RAL 5015		ORANGE RAL 2004		RED RAL 3000	
					E	A	B	S	G	I	Z	U	T	DF	Max				Min	Closed	Open	Closed	Open	Closed	Open	Closed
20	UCFL 204 CX	80264	84660	87166	90	118	64	10,5	19	15,5	33,5	44	46,5	45	40	12800	6600	8500	80254	80255	87259	83901	82305	82306	87540	87541
20	MUCFL 204 CX	83035	84696	87701	90	122	86	10,5	19	16	34	44	46,5	45	40	12800	6600	8500	80254	80255	87259	83901	82305	82306	87540	87541
20	MUCFL 204 CX	87215	87216	87702	76,5	100	70	10,5	11	15,5	33,5	44	46,5	45	40	12800	6600	8500	80254	80255	87259	83901	82305	82306	87540	87541
25	UCFL 205 CX	80181	84661	87167	99	131	72	10,5	22	17	36	47	49	50	45	14000	7800	10000	80075	80076	85384	85385	82276	82277	87542	87543
25	MUCFL 205 CX	83036	84697	87703	90	122	86	10,5	19	15,5	35	44	46,5	50	45	14000	7800	10000	80075	80076	85384	85385	82276	82277	87542	87543
30	UCFL 206 CX	80182	84662	87433	117	149	86	10,5	26	20	41	54	56	60	50	19500	11300	13000	80011	80053	84100	80354	82278	82279	87531	87530
30	MUCFL 206 CX	80540	84698	87704	90	122	86	10,5	19	13	35	52	54,5	60	50	19500	11300	13000	82765	82764	87270	87272	87559	87560	87570	87571
35	UCFL 207 CX	80183	84663	87434	130	163	94	10,5	26	20	45	57	59	70	55	25500	15300	14000	80077	80078	80969	80275	82284	82285	87544	87545
35	MUCFL 207 CX	83992	84699	87705	117	147	112	10,5	27	20	45,3	57	59,6	70	55	25500	15300	14000	80077	80078	80969	80275	82284	82285	87544	87545
40	UCFL 208 CX	85225	85227	87435	144	172	100	10,5	27	19,5	48,5	65,5	71	78	65	32500	19800	15000	80256	80257	83088	86722	82280	82281	87528	82804
40	MUCFL 208 CX	83993	84700	87706	117	147	112	10,5	27	19,5	48,5	65,5	68	78	65	32500	19800	15000	80256	80257	83088	86722	82280	82281	87528	82804

ECCENTRIC COLLAR SHAFT LOCKING

D	SERIE	Support CODES		CHROME STEEL BEARING											Bearing load (N)		Bearing support load		COVER CODES	
		Black	White	Blue Ral 5005	DIMENSIONS (mm)											C	CO	(N)	GREY RAL 7042	
					E	A	B	S	G	I	Z	U	T	DF	Max				Min	Closed
20	UCFL 204 CX	88488	88497	88508	90	118	64	10,5	19	15,5	39	51	53,5	45	40	12800	6600	8500	88371	88372
20	MUCFL 204 CX	88489	88498	88509	90	122	86	10,5	19	16	39,5	51	53,5	45	40	12800	6600	8500	88371	88372
20	MUCFL 204 CX	88490	88499	88510	76,5	100	70	10,5	11	15,5	39	50,9	53,4	45	40	12800	6600	8500	88371	88372
25	UCFL 205 CX	88491	88500	88511	99	131	72	10,5	22	17,4	40,9	52,9	55,4	50	45	14000	7800	10000	88373	88374
25	MUCFL 205 CX	88492	88501	88512	90	122	86	10,5	19	15,5	39	50	52,4	50	45	14000	7800	10000	88373	88374
30	UCFL 206 CX	82490	88502	88513	117	149	86	10,5	26	20	47,4	59,4	61,9	60	50	19500	11300	13000	88375	88376
30	MUCFL 206 CX	88493	88503	88514	90	122	86	10,5	19	13	39,7	52	54,5	60	50	19500	11300	13000	82765	82764
35	UCFL 207 CX	84255	88504	88515	130	163	94	10,5	26	20	49,3	61,3	63,8	70	55	25500	15300	14000	88377	88378
35	MUCFL 207 CX	88494	88505	88516	117	147	112	10,5	27	20	49,3	62	64,4	70	55	25500	15300	14000	88377	88378
40	UCFL 208 CX	88495	88506	88517	144	172	100	10,5	27	19,5	52,2	65	68	78	65	32500	19800	15000	80256	80257
40	MUCFL 208 CX	88496	88507	88518	117	147	112	10,5	27	19,5	52,2	65,5	68	78	65	32500	19800	15000	80256	80257

NEW

GRUB SCREWS SHAFT LOCKING

D	SERIE	Support CODES		STAINLESS STEEL BEARING AISI 440											Bearing load (N)		Bearing support load		COVER CODES							
		Black	White	Blue Ral 5005	DIMENSIONS (mm)											C	CO	(N)	GREY RAL 7042		BLUE RAL 5015		ORANGE RAL 2004		RED RAL 3000	
					E	A	B	S	G	I	Z	U	T	DF	Max				Min	Closed	Open	Closed	Open	Closed	Open	Closed
20	UCFL 204 CX	81053	84664	87707	90	118	64	10,5	19	15,5	33,5	44	46,5	45	40	8300	6600	8500	80254	80255	87259	83901	82305	82306	87540	87541
20	MUCFL 204 CX	83045	84701	87708	90	122	86	10,5	19	16	34	44	46,5	45	40	8300	6600	8500	80254	80255	87259	83901	82305	82306	87540	87541
20	MUCFL 204 CX	87225	87226	87709	76,5	100	70	10,5	11	15,5	33,5	44	46,5	45	40	8300	6600	8500	80254	80255	87259	83901	82305	82306	87540	87541
25	UCFL 205 CX	81054	84665	87710	99	131	72	10,5	22	17	36	47	49	50	45	9150	7800	10000	80075	80076	85384	85385	82276	82277	87542	87543
25	MUCFL 205 CX	83046	84702	87711	90	122	86	10,5	19	15,5	35	44	46,5	50	45	9150	7800	10000	80075	80076	85384	85385	82276	82277	87542	87543
30	UCFL 206 CX	81055	84666	87712	117	149	86	10,5	26	20	41	54	56	60	50	12500	11200	13000	80011	80053	84100	80354	82278	82279	87531	87530
30	MUCFL 206 CX	83047	84703	87713	90	122	86	10,5	19	13	35	52	54,5	60	50	12500	11200	13000	82765	82764	87270	87272	87559	87560	87570	87571
35	UCFL 207 CX	81056	84667	87714	130	163	94	10,5	26	20	45	57	59	70	55	16600	15300	14000	80077	80078	80969	80275	82284	82285	87544	87545
35	MUCFL 207 CX	84019	84704	87715	117	147	112	10,5	27	20	45,3	57	59,6	70	55	16600	15300	14000	80077	80078	80969	80275	82284	82285	87544	87545
40	UCFL 208 CX	85226	85228	87716	144	172	100	10,5	27	19,5	48,5	65,5	71	78	65	20000	19000	15000	80256	80257	83088	86722	82280	82281	87528	82804
40	MUCFL 208 CX	83994	84705	87717	117	147	112	10,5	27	19,5	48,5	65,5	68	78	65	20000	19000	15000	80256	80257	83088	86722	82280	82281	87528	82804

GRUB SCREWS SHAFT LOCKING - VERSIONS WITH MEASURES IN INCHES

D	SERIE	Support CODES		CHROME STEEL BEARING											Bearing load (N)		Bearing support load		COVER CODES								
		Black	White	Blue Ral 5005	DIMENSIONS (mm)											C	CO	(N)	GREY RAL 7042		BLUE RAL 5015		ORANGE RAL 2004		RED RAL 3000		
					E	A	B	S	G	I	Z	U	T	DF	Max				Min	Closed	Open	Closed	Open	Closed	Open	Closed	Open
1"	25,4	UCFL 205 CX	84510	84899	87719	99	131	72	10,5	22	17	36	47	49	50	45	14000	7800	10000	80075	85202	85384	87273	82276	87660	87542	87663
1"	25,4	MUCFL 205 CX	84517	84983	87720	90	122	86	10,5	19	15,5	35	44	46,5	50	45	14000	7800	10000	80075	85202	85384	87273	82276	87660	87542	87663
1 1/4"	31,75	UCFL 206 CX	84511	84900	87721	117	149	86	10,5	26	20	41	54	56	60	50	19500	11300	13000	80011	85203	84100	87274	82278	87661	87531	87664
1 1/4"	31,75	MUCFL 206 CX	84518	84984	87722	90	122	86	10,5	19	13	35	52	54,5	60	50	19500	11300	13000	82765	85206	87270	87276	87559	87666	87570	87667



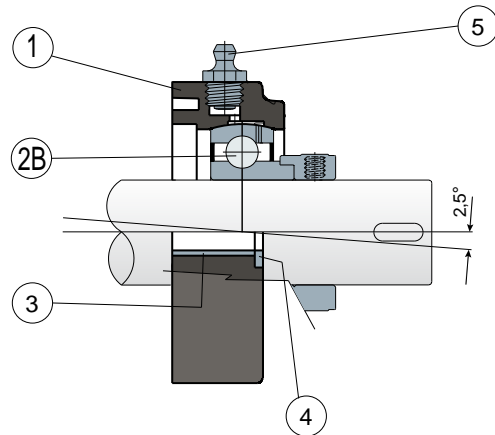
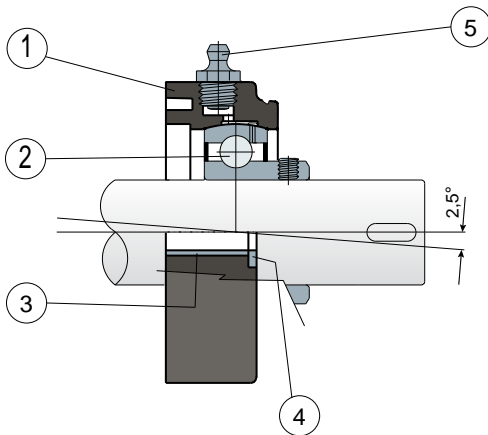
Oval flanged bearing supports

Serie **UCFL**
Serie **MUCFL**



Grub screws shaft locking - Without cover and back gasket

Eccentric collar shaft locking - Without cover and back gasket



- 1) Housing made out of black, white or blue Ral 5005 colour polyamide reinforced with glass fibers.
- 2) Chrome steel or stainless steel bearing AISI 440.
- 2B) Chrome steel bearing.
- 3) Spacer for fixing reinforcement made out of stainless steel AISI 304.
- 4) UNI 6592 support washer made out of stainless steel AISI 304.
- 5) Greaser, straight type with 1/8 gas thread, made out of nickel-plated brass.

NOTE: The only difference from UCFL/C series is lack of back gasket and protection cover, which can be ordered separately as accessories.

Support dimensions respect ISO 3228 set of rules.

Maximum shaft alignment error 2,5°

For further information please contact our technical office or sales department.

MATERIALS: Housing is made out of PA + glass fiber in black, white or blue Ral 5005 colours; bearing with grub screws shaft locking in chrome steel or stainless steel; bearing with eccentric collar shaft locking in chrome steel; greaser made out of nickel plated brass; reinforcement bushings and washers made out of stainless steel AISI 304; gaskets made out of NBR rubber; cover made out of polypropylene grey Ral 7042, blue Ral 5015, orange Ral 2004 or red Ral 3000 colour.

FEATURES: The difference from UCFL/C series is lack of back gasket and protection cover, which can be ordered separately as accessories. Assembly with shouldered and not shouldered shafts. Maximum shaft alignment error 2.5°.

BOX QUANTITY: 8 pieces.

ON REQUEST: Versions with body in polypropylene + glass fiber and antibacterial additive; protection cover in different colours and with customized brand; box quantity according to your request; Viton gaskets, "Long life" bearings.

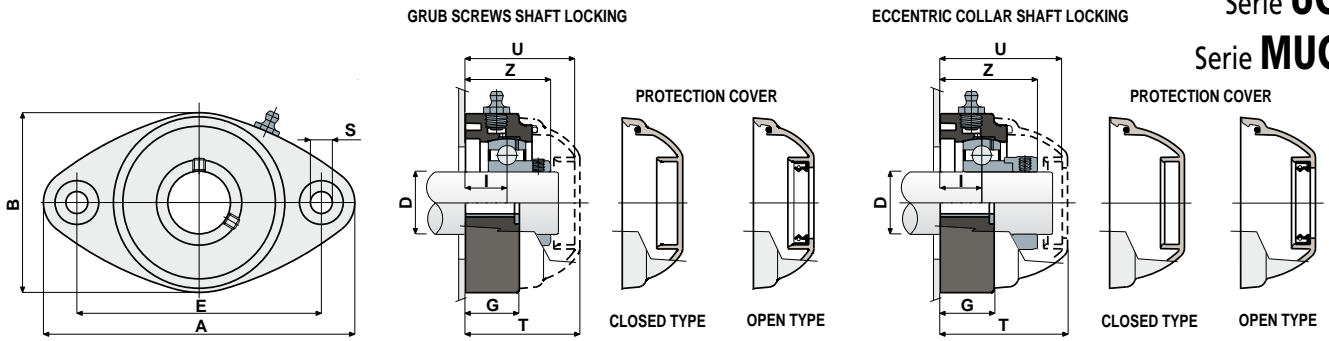


Oval flanged bearing supports

Technical data

Serie UCFL

Serie MUCFL



GRUB SCREWS SHAFT LOCKING

D	SERIE	Support CODES		CHROME STEEL BEARING										Bearing load (N)		Bearing support load		COVER CODES							
		Black	White	Blue Ral 5005	DIMENSIONS (mm)										C	CO	(N)	GREY RAL 7042		BLUE RAL 5015		ORANGE RAL 2004		RED RAL 3000	
					E	A	B	S	G	I	Z	U	T	Closed				Open	Closed	Open	Closed	Open	Closed	Open	
20	UCFL 204	80265	84668	87723	90	118	64	10,5	19	15,5	33,5	44	46,5	12800	6600	8500	80254	80255	87259	83901	82305	82306	87540	87541	
20	MUCFL 204	83037	84706	87724	90	122	86	10,5	19	16	34	44	46,5	12800	6600	8500	80254	80255	87259	83901	82305	82306	87540	87541	
20	MUCFL 204	87217	87218	87725	76,5	100	70	10,5	11	15,5	33,5	44	46,5	12800	6600	8500	80254	80255	87259	83901	82305	82306	87540	87541	
25	UCFL 205	80063	84669	87726	99	131	72	10,5	22	17	36	47	49	14000	7800	10000	80075	80076	85384	85385	82276	82277	87542	87543	
25	MUCFL 205	83038	84707	87727	90	122	86	10,5	19	15,5	35	44	46,5	14000	7800	10000	80075	80076	85384	85385	82276	82277	87542	87543	
30	UCFL 206	80064	84670	87728	117	149	86	10,5	26	20	41	54	56	19500	11300	13000	80011	80053	84100	80354	82278	82279	87531	87530	
30	MUCFL 206	80542	84708	87729	90	122	86	10,5	19	13	35	52	54,5	19500	11300	13000	82765	82764	87270	87272	87559	87560	87570	87571	
35	UCFL 207	80065	84671	87730	130	163	94	10,5	26	20	45	57	59	25500	15300	14000	80077	80078	80969	80275	82284	82285	87544	87545	
35	MUCFL 207	83995	84709	87731	117	147	112	10,5	27	20	45,3	57	59,6	25500	15300	14000	80077	80078	80969	80275	82284	82285	87544	87545	
40	UCFL 208	85229	85231	87732	144	172	100	10,5	27	19,5	48,5	65,5	71	32500	19800	15000	80256	80257	83088	86722	82280	82281	87528	82804	
40	MUCFL 208	83996	84710	87733	117	147	112	10,5	27	19,5	48,5	65,5	68	32500	19800	15000	80256	80257	83088	86722	82280	82281	87528	82804	

ECCENTRIC COLLAR SHAFT LOCKING

D	SERIE	Support CODES		CHROME STEEL BEARING										Bearing load (N)		Bearing support load		COVER CODES	
		Black	White	Blue Ral 5005	DIMENSIONS (mm)										C	CO	(N)	GREY RAL 7042	
					E	A	B	S	G	I	Z	U	T	Closed				Open	
20	UCFL 204	88519	88529	88540	90	118	64	10,5	19	15,5	39	51	53,5	12800	6600	8500	88371	88372	
20	MUCFL 204	88520	88530	88541	90	122	86	10,5	19	16	39,5	51	53,5	12800	6600	8500	88371	88372	
20	MUCFL 204	88521	88531	88542	76,5	100	70	10,5	11	15,5	39	50,9	53,4	12800	6600	8500	88371	88372	
25	UCFL 205	88522	88532	88543	99	131	72	10,5	22	17,4	40,9	52,9	55,4	14000	7800	10000	88373	88374	
25	MUCFL 205	88523	88533	88544	90	122	86	10,5	19	15,5	39	50	52,4	14000	7800	10000	88373	88374	
30	UCFL 206	83985	88534	88545	117	149	86	10,5	26	20,7	47,4	59,4	61,9	19500	11300	13000	88375	88376	
30	MUCFL 206	88524	88535	88546	90	122	86	10,5	19	13	39,7	52	54,5	19500	11300	13000	82765	82764	
35	UCFL 207	88525	88536	88547	130	163	94	10,5	26	20	49,3	61,3	63,8	25500	15300	14000	88377	88378	
35	MUCFL 207	88526	88537	88548	117	147	112	10,5	27	20	49,3	62	64,4	25500	15300	14000	88377	88378	
40	UCFL 208	88527	88538	88549	144	172	100	10,5	27	19,5	52,2	65	68	32500	19800	15000	80256	80257	
40	MUCFL 208	88528	88539	88550	117	147	112	10,5	27	19,5	52,2	65,5	68	32500	19800	15000	80256	80257	

NEW

GRUB SCREWS SHAFT LOCKING

D	SERIE	Support CODES		STAINLESS STEEL BEARING AISI 440										Bearing load (N)		Bearing support load		COVER CODES							
		Black	White	Blue Ral 5005	DIMENSIONS (mm)										C	CO	(N)	GREY RAL 7042		BLUE RAL 5015		ORANGE RAL 2004		RED RAL 3000	
					E	A	B	S	G	I	Z	U	T	Closed				Open	Closed	Open	Closed	Open	Closed	Open	
20	UCFL 204	80519	84672	87734	90	118	64	10,5	19	15,5	33,5	44	46,5	8300	6600	8500	80254	80255	87259	83901	82305	82306	87540	87541	
20	MUCFL 204	83048	84711	87735	90	122	86	10,5	19	16	34	44	46,5	8300	6600	8500	80254	80255	87259	83901	82305	82306	87540	87541	
20	MUCFL 204	87227	87228	87736	76,5	100	70	10,5	11	15,5	33,5	44	46,5	8300	6600	8500	80254	80255	87259	83901	82305	82306	87540	87541	
25	UCFL 205	80520	84673	87737	99	131	72	10,5	22	17	36	47	49	9150	7800	10000	80075	80076	85384	85385	82276	82277	87542	87543	
25	MUCFL 205	83049	84712	87738	90	122	86	10,5	19	15,5	35	44	46,5	9150	7800	10000	80075	80076	85384	85385	82276	82277	87542	87543	
30	UCFL 206	80521	84674	87739	117	149	86	10,5	26	20	41	54	56	12500	11200	13000	80011	80053	84100	80354	82278	82279	87531	87530	
30	MUCFL 206	83050	84713	87740	90	122	86	10,5	19	13	35	52	54,5	12500	11200	13000	82765	82764	87270	87272	87559	87560	87570	87571	
35	UCFL 207	80522	84675	87741	130	163	94	10,5	26	20	45	57	59	16600	15300	14000	80077	80078	80969	80275	82284	82285	87544	87545	
35	MUCFL 207	84020	84714	87742	117	147	112	10,5	27	20	45,3	57	59,6	16600	15300	14000	80077	80078	80969	80275	82284	82285	87544	87545	
40	UCFL 208	85230	85232	87743	144	172	100	10,5	27	19,5	48,5	65,5	71	20000	19000	15000	80256	80257	83088	86722	82280	82281	87528	82804	
40	MUCFL 208	83997	84715	87744	117	147	112	10,5	27	19,5	48,5	65,5	68	20000	19000	15000	80256	80257	83088	86722	82280	82281	87528	82804	

GRUB SCREWS SHAFT LOCKING - VERSIONS WITH MEASURES IN INCHES

D	(inches)	(mm)	SERIE	Support CODES		CHROME STEEL BEARING										Bearing load (N)		Bearing support load		COVER CODES							
				Black	White	Blue Ral 5005	DIMENSIONS (mm)										C	CO	(N)	GREY RAL 7042		BLUE RAL 5015		ORANGE RAL 2004		RED RAL 3000	
							E	A	B	S	G	I	Z	U	T	Closed				Open	Closed	Open	Closed	Open	Closed	Open	
1"	25,4	UCFL 205	84513	84903	87745	99	131	72	10,5	22	17	36	47	49	14000	7800	10000	80075	85202	85384	87273	82276	87660	87542	87663		
1"	25,4	MUCFL 205	84519	84985	87746	90	122	86	10,5	19	15,5	35	44	46,5	14000	7800	10000	80075	85202	85384	87273	82276	87660	87542	87663		
1 1/4"	31,75	UCFL 206	84514	84904	87747	117	149	86	10,5	26	20	41	54	56	19500	11300	13000	80011	85203	84100	87274	82278	87661	87531	87664		
1 1/4"	31,75	MUCFL 206	84520	84986	87748	90	122	86	10,5	19	13	35	52	54,5	19500	11300	13000	82765	85206	87270	87276	87559	87666	87570	87667		



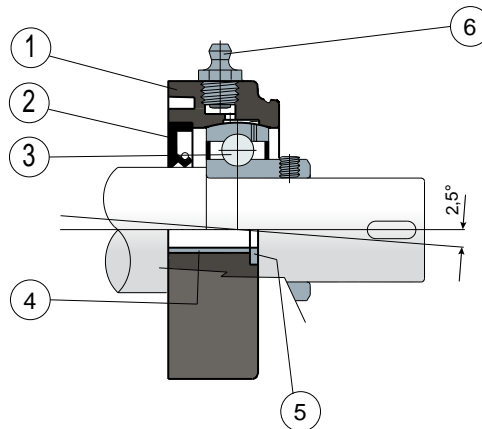
Oval flanged bearing supports

Serie **UCFL/CS**

Serie **MUCFL/CS**



Back gasket for shouldered shaft



- 1) Housing made out of black or white colour polyamide reinforced with glass fibers.
- 2) Back gasket made out of NBR rubber for turning shaft seal.
- 3) Chrome steel or stainless steel bearing AISI 440.
- 4) Spacer for fixing reinforcement made out of stainless steel AISI 304.
- 5) UNI 6592 support washer made out of stainless steel AISI 304.
- 6) Greaser, straight type with 1/8 gas thread, made out of nickel-plated brass.

Support dimensions respect ISO 3228 set of rules.

Maximum shaft alignment error 2,5°

For further information please contact our technical office or sales department.

MATERIALS: Housing is made out of PA + glass fiber in black or white colours; chrome steel or stainless steel bearing; greaser made out of nickel plated brass; reinforcement bushings and washers made out of stainless steel AISI 304; gaskets made out of NBR rubber; cover made out of polypropylene grey Ral 7042, blue Ral 5015, orange Ral 2004 or red Ral 3000 colour.

FEATURES: Back gasket for shouldered shafts; protection cover can be ordered separately as accessory. Use of shouldered shafts allows a higher capability of axial load. Maximum shaft alignment error 2.5°.

BOX QUANTITY: 8 pieces.

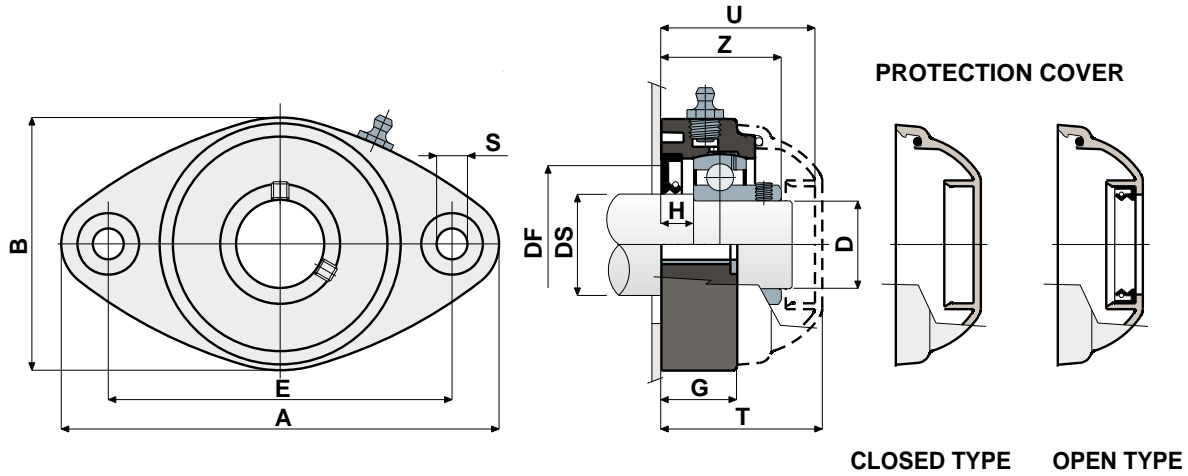
ON REQUEST: Versions with body in polypropylene + glass fiber and antibacterial additive; protection cover in different colours and with customized brand; box quantity according to your request; Viton gaskets, "Long life" bearings.



Oval flanged bearing supports

Technical data

Serie **UCFL/CS**
Serie **MUCFL/CS**



CHROME STEEL BEARING														COVER CODES													
DS	D	SERIE	Support CODES		DIMENSIONS (mm)										Bearing load (N)			Bearing support load		GREY RAL 7042		BLUE RAL 5015		ORANGE RAL 2004		RED RAL 3000	
			Black	White	E	A	B	S	G	H	Z	U	T	DF Max	DF Min	C	C0	(N)	Closed	Open	Closed	Open	Closed	Open	Closed	Open	
25	20	UCFL 204 CS	80266	85264	90	118	64	10,5	19	8,5	33,5	44	46,5	45	40	12800	6600	8500	80254	80255	87259	83901	82305	82306	87540	87541	
25	20	MUCFL 204 CS	87219	87220	76,5	100	70	10,5	11	8,5	33,5	44	46,5	45	40	12800	6600	8500	80254	80255	87259	83901	82305	82306	87540	87541	
30	25	UCFL 205 CS	80184	85265	99	131	72	10,5	22	10	36	47	49	50	45	14000	7800	10000	80075	80076	85384	85385	82276	82277	87542	87543	
35	30	UCFL 206 CS	80185	85266	117	149	86	10,5	26	11,5	41	54	56	60	50	19500	11300	13000	80011	80053	84100	80354	82278	82279	87531	87530	
40	35	UCFL 207 CS	80186	85267	130	163	94	10,5	26	10,5	45	57	59	70	55	25500	15300	14000	80077	80078	80969	80275	82284	82285	87544	87545	
45	40	UCFL 208 CS	85233	86004	144	172	100	10,5	27	8,5	48,5	65,5	71	78	65	32500	19800	15000	80256	80257	83088	86722	82280	82281	87528	82804	

STAINLESS STEEL BEARING AISI 440														COVER CODES													
DS	D	SERIE	Support CODES		DIMENSIONS (mm)										Bearing load (N)			Bearing support load		GREY RAL 7042		BLUE RAL 5015		ORANGE RAL 2004		RED RAL 3000	
			Black	White	E	A	B	S	G	H	Z	U	T	DF Max	DF Min	C	C0	(N)	Closed	Open	Closed	Open	Closed	Open	Closed	Open	
25	20	UCFL 204 CS	84148	85268	90	118	64	10,5	19	8,5	33,5	44	46,5	45	40	8300	6600	8500	80254	80255	87259	83901	82305	82306	87540	87541	
25	20	MUCFL 204 CS	87229	87230	76,5	100	70	10,5	11	8,5	33,5	44	46,5	45	40	8300	6600	8500	80254	80255	87259	83901	82305	82306	87540	87541	
30	25	UCFL 205 CS	83907	85269	99	131	72	10,5	22	10	36	47	49	50	45	9150	7800	10000	80075	80076	85384	85385	82276	82277	87542	87543	
35	30	UCFL 206 CS	80523	85270	117	149	86	10,5	26	11,5	41	54	56	60	50	12500	11200	13000	80011	80053	84100	80354	82278	82279	87531	87530	
40	35	UCFL 207 CS	84150	85271	130	163	94	10,5	26	10,5	45	57	59	70	55	16600	15300	14000	80077	80078	80969	80275	82284	82285	87544	87545	
45	40	UCFL 208 CS	85234	86005	144	172	100	10,5	27	8,5	48,5	65,5	71	78	65	20000	19000	15000	80256	80257	83088	86722	82280	82281	87528	82804	



Oval flanged bearing supports

Serie **UCFL/CA**



On request covers in polypropylene blue Ral 5015 colour.

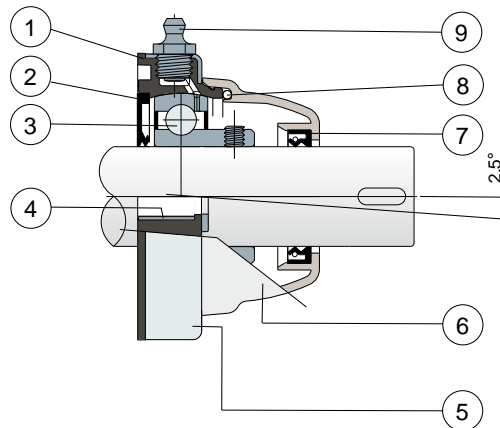


On request covers in polypropylene orange Ral 2004 colour.



On request covers in polypropylene red Ral 3000 colour.

External cover made out of stainless steel AISI 304



- 1) Internal body of support made out of black colour polypropylene reinforced with glass fibers.
- 2) Back gasket made out of NBR rubber for turning shaft seal.
- 3) Chrome steel or stainless steel bearing AISI 440.
- 4) Spacer for fixing reinforcement made out of stainless steel AISI 304.
- 5) External cover of support made out of AISI 304 stainless steel.
- 6) Protection cover made out of polypropylene (grey colour Ral 7042).
- 7) Front gasket made out of NBR rubber for turning shaft seal.
- 8) OR gasket made out of NBR rubber
- 9) Greaser, straight type with 1/8 gas thread, made out of nickel-plated brass.

Maximum shaft alignment error 2,5°

For further information please contact our technical office or sales department.

MATERIALS: Support made out of black colour PP + glass fiber; external cover of support made out of stainless steel AISI 304; chrome steel or stainless steel bearing; greaser made out of nickel plated brass; reinforcement bushings made out of stainless steel AISI 304; gaskets made out of NBR rubber; protection cover made out of grey RAL 7042 colour polypropylene.

FEATURES: Full protection of bearing against external agents. Housing in polypropylene covered with a layer of AISI 304 stainless steel, to obtain the maximum chemical resistance to antibacterial detergents used in the food processing sector. More over this part is moulded without internal cavities in order to obtain the best sanification. Assembly with not shouldered shaft. Maximum shaft alignment error 2.5°.

BOX QUANTITY: 8 pieces.

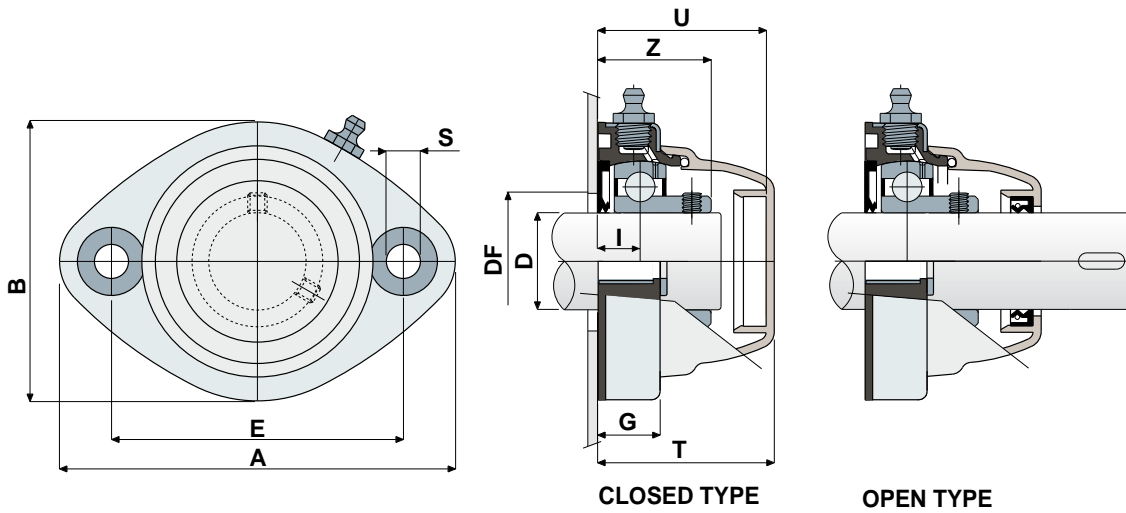
ON REQUEST: Protection covers in different colours and with customized brand; internal body in reinforced polypropylene white or blue Ral 5005 colour; supports with eccentric collar shaft locking with chrome steel bearing; box quantity according to your request; Viton gaskets, "Long life" bearings.



Oval flanged bearing supports

Technical data

Serie **UCFL/CA**



CHROME STEEL BEARING																	
D (mm)	SERIE	CODES		DIMENSIONS (mm)											Bearing load (N)		Bearing support load
		Closed	Open	E	A	B	S	G	I	Z	U	T	DF		C	C0	(N)
													Max	Min			
30	UCFL 206 CA	84021	83999	117	147	112	11	27	21	42	65,5	68	60	50	19500	11300	13000
35	UCFL 207 CA	84022	84000	117	147	112	11	27	20	45,3	65,5	68	70	55	25500	15300	14000
40	UCFL 208 CA	84023	84001	117	147	112	11	27	20	48,5	65,5	68	78	65	32500	19800	15000

STAINLESS STEEL BEARING AISI 440																	
D (mm)	SERIE	CODES		DIMENSIONS (mm)											Bearing load (N)		Bearing support load
		Closed	Open	E	A	B	S	G	I	Z	U	T	DF		C	C0	(N)
													Max	Min			
30	UCFL 206 CA	84024	84002	117	147	112	11	27	21	42	65,5	68	60	50	12500	11200	13000
35	UCFL 207 CA	84006	84003	117	147	112	11	27	20	45,3	65,5	68	70	55	16600	15300	14000
40	UCFL 208 CA	84010	84005	117	147	112	11	27	20	48,5	65,5	68	78	65	20000	19000	15000

VERSIONS WITH MEASURES IN INCHES

CHROME STEEL BEARING																		
D (inches)	D (mm)	SERIE	CODES		DIMENSIONS (mm)											Bearing load (N)		Bearing support load
			Closed	Open	E	A	B	S	G	I	Z	U	T	DF		C	C0	(N)
														Max	Min			
1"1/4	31,75	UCFL 206 CA	84521	84541	117	147	112	11	27	21	42	65,5	68	60	50	19500	11300	13000

Self-aligning bearings with Solid body: completely closed surface to guarantee the max hygiene.



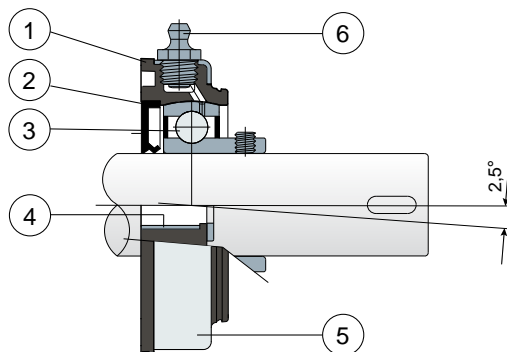
Oval flanged bearing supports

Serie **UCFL/CXA**



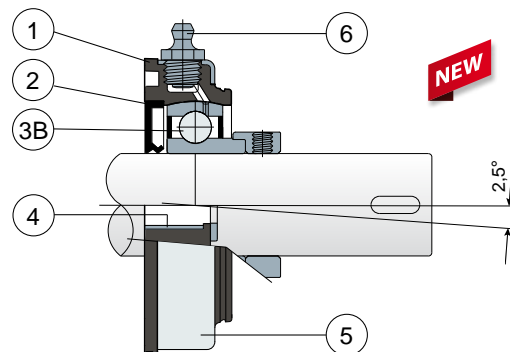
Grub screws shaft locking

External cover made out of stainless steel AISI 304; without protection cover



Eccentric collar shaft locking

External cover made out of stainless steel AISI 304; without protection cover



- 1) Internal body of support made out of black colour polypropylene reinforced with glass fibers.
- 2) Back gasket made out of NBR rubber for turning shaft seal.
- 3) Chrome steel or stainless steel bearing AISI 440.
- 3B) Chrome steel bearing.
- 4) Spacer for fixing reinforcement made out of stainless steel AISI 304.
- 5) External cover of support made out of AISI 304 stainless steel.
- 6) Greaser, straight type with 1/8 gas thread, made out of nickel-plated brass.

NOTE: The only difference from UCFL/CA series is lack of protection cover, which can be ordered separately as an accessory.

Maximum shaft alignment error 2,5°

For further information please contact our technical office or sales department.

MATERIALS: Support made out of black colour PP + glass fiber; external cover of support made out of stainless steel AISI 304; bearing with grub screws shaft locking in chrome steel or stainless steel; bearing with eccentric collar shaft locking in chrome steel; greaser made out of nickel plated brass; reinforcement bushings made out of stainless steel AISI 304; gaskets made out of NBR rubber; protection cover made out of polypropylene grey Ral 7042, blue Ral 5015, orange Ral 2004 or red Ral 3000 colour.

FEATURES: The only difference from UCFL/CA series is lack of protection cover, which can be ordered separately as an accessory. Housing in polypropylene covered with a layer of AISI 304 stainless steel, to obtain the maximum chemical resistance to antibacterial detergents used in the food processing sector. More over this part is moulded without internal cavities in order to obtain the best sanification. Assembly with not shouldered shaft. Maximum shaft alignment error 2.5°.

BOX QUANTITY: 8 pieces.

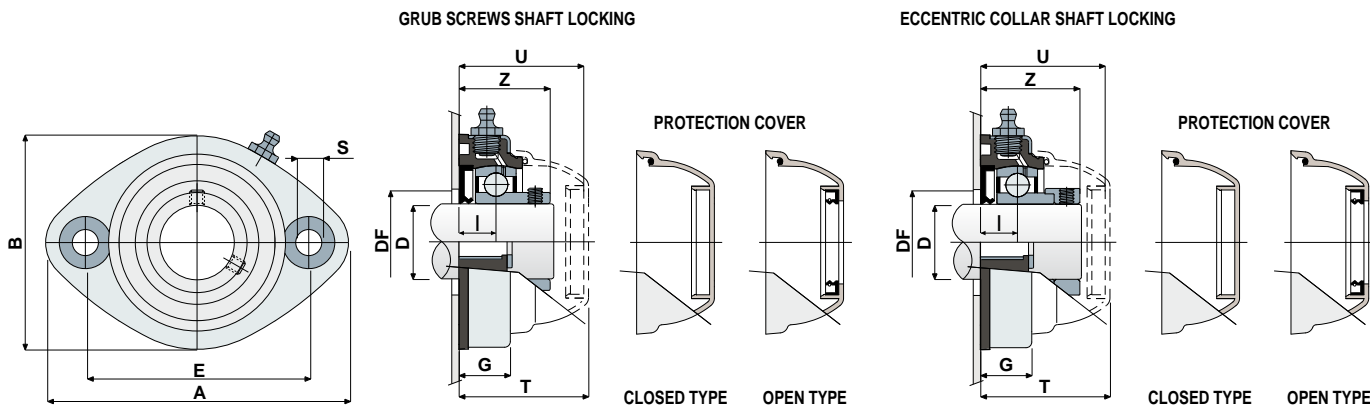
ON REQUEST: Protection covers in different colours and with customized brand; internal body in reinforced polypropylene white or blue Ral 5005 colour; box quantity according to your request; Viton gaskets, "Long life" bearings.



Oval flanged bearing supports

Technical data

Serie **UCFL/CXA**



GRUB SCREWS SHAFT LOCKING

D (mm)	SERIE	Support CODES	CHROME STEEL BEARING										COVER CODES													
			DIMENSIONS (mm)										Bearing load (N)		Bearing support load		GREY RAL 7042				BLUE RAL 5015		ORANGE RAL 2004		RED RAL 3000	
			E	A	B	S	G	I	Z	U	T	DF		C	CO	(N)	Closed	Open	Closed	Open	Closed	Open	Closed	Open		
30	UCFL 206 CXA	84007	117	147	112	11	27	21	42	65,5	68	60	50	19500	11300	13000	80494		87271	87555		87569				
35	UCFL 207 CXA	84008	117	147	112	11	27	20	45,3	65,5	68	70	55	25500	15300	14000	80256	80495	83088	87277	82280	87557	87528	87529		
40	UCFL 208 CXA	84009	117	147	112	11	27	19,5	48,5	65,5	68	78	65	32500	19800	15000	80257		86722	82281		82804				

ECCENTRIC COLLAR SHAFT LOCKING

D (mm)	SERIE	Support CODES	CHROME STEEL BEARING										COVER CODES					
			DIMENSIONS (mm)										Bearing load (N)		Bearing support load		GREY RAL 7042	
			E	A	B	S	G	I	Z	U	T	DF		C	CO	(N)	Closed	Open
30	UCFL 206 CXA	88552	117	147	112	11	27	21	47,7	65,5	68	60	50	19500	11300	13000	80494	
35	UCFL 207 CXA	88553	117	147	112	11	27	20	49,3	65,5	68	70	55	25500	15300	14000	80256	80495
40	UCFL 208 CXA	88554	117	147	112	11	27	19,5	52,2	65,5	68	78	65	32500	19800	15000	80257	



GRUB SCREWS SHAFT LOCKING

D (mm)	SERIE	Support CODES	STAINLESS STEEL BEARING AISI 440										COVER CODES													
			DIMENSIONS (mm)										Bearing load (N)		Bearing support load		GREY RAL 7042				BLUE RAL 5015		ORANGE RAL 2004		RED RAL 3000	
			E	A	B	S	G	I	Z	U	T	DF		C	CO	(N)	Closed	Open	Closed	Open	Closed	Open	Closed	Open		
30	UCFL 206 CXA	84011	117	147	112	11	27	21	42	65,5	68	60	50	12500	11200	13000	80494		87271	87555		87569				
35	UCFL 207 CXA	84012	117	147	112	11	27	20	45,3	65,5	68	70	55	16600	15300	14000	80256	80495	83088	87277	82280	87557	87528	87529		
40	UCFL 208 CXA	84013	117	147	112	11	27	19,5	48,5	65,5	68	78	65	20000	19000	15000	80257		86722	82281		82804				

GRUB SCREWS SHAFT LOCKING - VERSIONS WITH MEASURES IN INCHES

D (inches)	D (mm)	SERIE	Support CODES	CHROME STEEL BEARING										COVER CODES													
				DIMENSIONS (mm)										Bearing load (N)		Bearing support load		GREY RAL 7042				BLUE RAL 5015		ORANGE RAL 2004		RED RAL 3000	
				E	A	B	S	G	I	Z	U	T	DF		C	CO	(N)	Closed	Open	Closed	Open	Closed	Open	Closed	Open		
1" 1/4	31,75	UCFL 206 CXA	84522	117	147	112	11	27	21	42	65,5	68	60	50	19500	11300	13000	80256	85204	83088	87275	82280	87662	87528	87665		



Self-aligning bearings with Solid body: completely closed surface to guarantee the max hygiene.

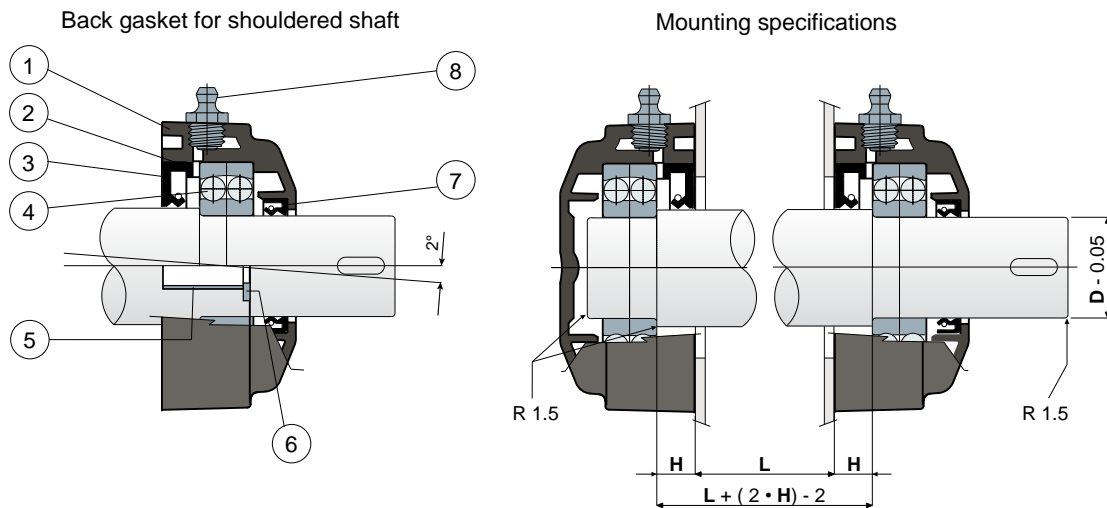


Oval flanged bearing supports

Serie **FL**



The bearing cover integrated into the body of the support guarantees maximum sanitation



- 1) Housing made out of black or white colour polyamide reinforced with glass fibers.
- 2) Intermediate bearing ring spacer made out of black colour polyamide reinforced with glass fibers.
- 3) Back gasket made out of NBR rubber for turning shaft seal.
- 4) Chrome steel bearing type 1200 supplied without lubricant.
- 5) Spacer for fixing reinforcement made out of stainless steel AISI 304.
- 6) UNI 6592 support washer made out of stainless steel AISI 304.
- 7) Front gasket made out of NBR rubber for turning shaft seal.
- 8) Greaser, straight type with 1/8 gas thread, made out of nickel-plated brass.

Support dimensions respect ISO 3228 set of rules
 Maximum shaft alignment error 2°
 For further information please contact our technical office or sales department.

MATERIALS: Housing is made out of PA + glass fiber in black or white colours; Intermediate bearing ring spacer made out of black colour PA + glass fiber; chrome steel bearing; greaser made out of nickel plated brass; reinforcement bushings and washers made out of stainless steel AISI 304; gaskets made out of NBR rubber.

FEATURES: Back gasket for shouldered shafts. Use of shouldered shafts allows a higher capability of axial load. Maximum shaft alignment error 2°.

BOX QUANTITY: 8 pieces.

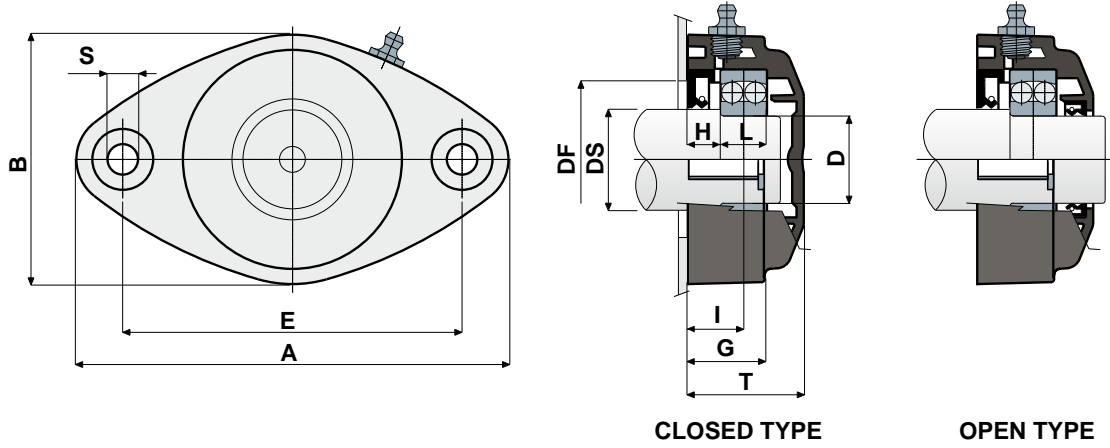
ON REQUEST: Versions with body in polypropylene + glass fiber and antibacterial additive; box quantity according to your request; Viton gaskets.



Oval flanged bearing supports

Technical data

Serie **FL**



CHROME STEEL BEARING																				
DS	D	SERIE	CODES				DIMENSIONS (mm)											Bearing load (N)		Bearing support load (N)
			Black		White		E	A	B	S	G	H	I	L	T	DF		C	CO	
			Closed	Open	Closed	Open										Max	Min			
30	25	FL 1205	87493	87499	87494	87500	99	131	72	10,5	22	11	18,8	15	36,5	50	45	14300	4000	11500
35	30	FL 1206	87505	87511	87506	87512	117	149	86	10,5	26	11	19,3	16	40	60	50	15600	4650	12650



Oval flanged bearing supports

Serie UCFL/C



On request covers in polypropylene blue Ral 5015 colour.

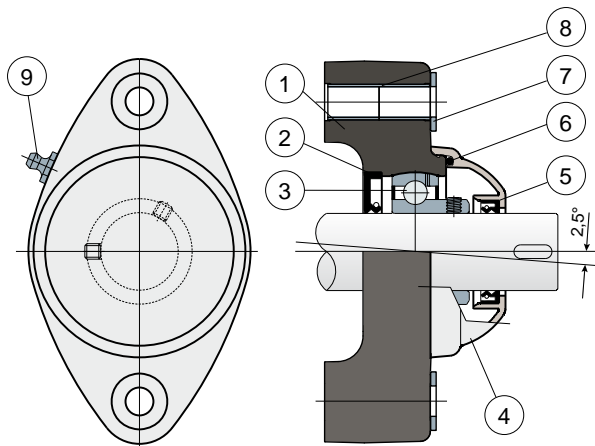


On request covers in polypropylene grey Ral 7042 colour.



On request covers in polypropylene red Ral 3000 colour.

Full protection of bearing



- 1) Housing made out of blue Ral 5005 colour polyamide reinforced with glass fibers.
- 2) Back gasket made out of NBR rubber for turning shaft seal.
- 3) Chrome steel or stainless steel bearing AISI 440.
- 4) Protection cover made out of polypropylene (orange Ral 2004 colour).
- 5) Front gasket made out of NBR rubber for turning shaft seal.
- 6) OR gasket made out of NBR rubber.
- 7) UNI 6592 support washer made out of stainless steel AISI 304.
- 8) Spacer for fixing reinforcement made out of stainless steel AISI 304.
- 9) Greaser, straight type with 1/8 gas thread, made out of stainless steel AISI 303.

Support dimensions respect ISO 3228 set of rules
Maximum shaft alignment error 2,5°

For further information please contact our technical office or sales department.

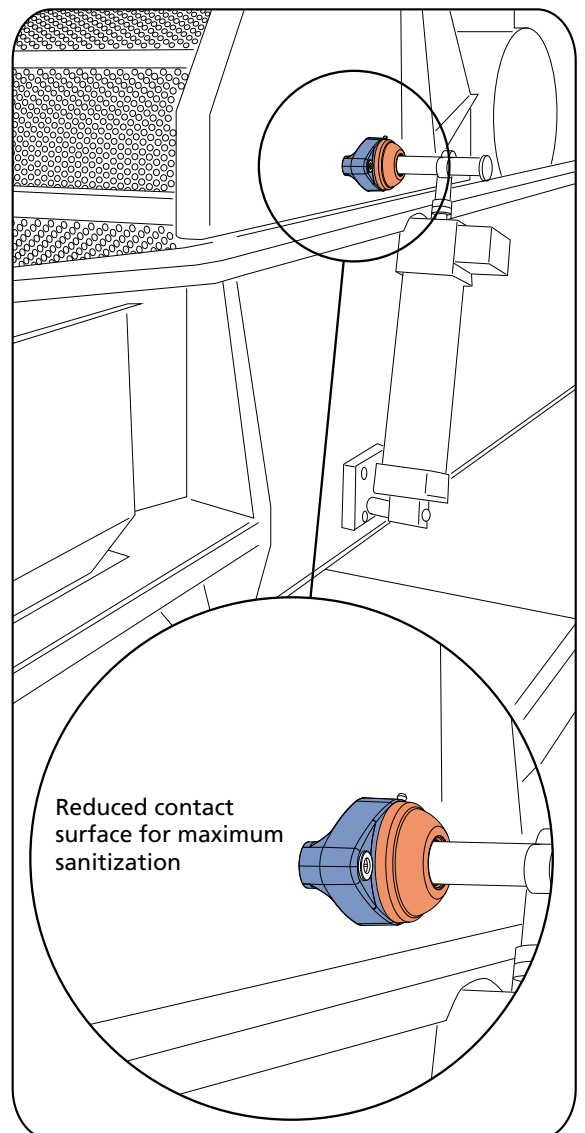
MATERIALS: Support made out of blue Ral 5005 colour PA + glass fiber; chrome steel or stainless steel bearing; greaser made out of stainless steel; reinforcement bushings and washers made out of stainless steel AISI 304; gaskets made out of NBR rubber; cover made out of orange Ral 2004 colour polypropylene.

FEATURES: Full protection of bearing against external agents. Assembly with not shouldered shafts. The reduced contact surface of the base of the support allows maximum sanification. Maximum shaft alignment error 2.5°.

BOX QUANTITY: 8 pieces.

ON REQUEST: Versions with body in polypropylene + glass fiber and antibacterial additive; supports with eccentric collar shaft locking with chrome steel bearing; protection cover in different colours and with customized brand; box quantity according to your request; Viton gaskets, "Long life" bearings.

Example of application

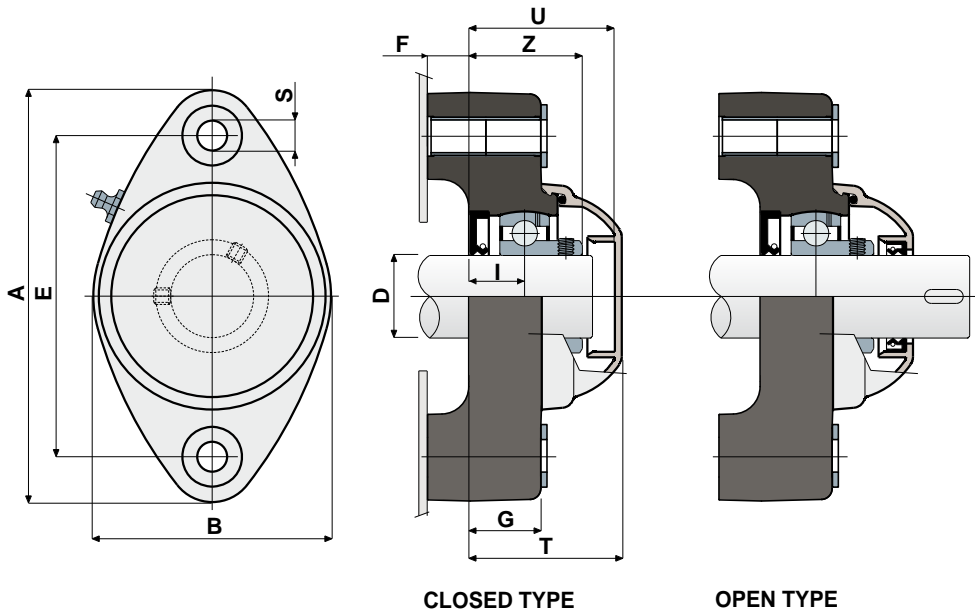




Oval flanged bearing supports

Technical data

Serie **UCFL/C**



CHROME STEEL BEARING																
D	SERIE	CODES		DIMENSIONS (mm)										Bearing load (N)		Bearing support load
		Blue Ral 5005		E	A	B	S	F	G	I	Z	U	T	C	C0	(N)
		Closed	Open													
25	UCFL 205 C	88633	88635	99	131	72	10,5	15	22	17,4	37	47	49,5	14000	7800	10000
30	UCFL 206 C	87425	87426	117	149	86	10,5	15	26	20	42	53	56	19500	11300	13000

STAINLESS STEEL BEARING AISI 440																
D	SERIE	CODES		DIMENSIONS (mm)										Bearing load (N)		Bearing support load
		Blue Ral 5005		E	A	B	S	F	G	I	Z	U	T	C	C0	(N)
		Closed	Open													
25	UCFL 205 C	88634	88636	99	131	72	10,5	15	22	17,4	37	47	49,5	9150	7800	10000
30	UCFL 206 C	87749	87750	117	149	86	10,5	15	26	20	42	53	56	12500	11200	13000

NEW

NEW

S Self-aligning bearings with Solid body: completely closed surface to guarantee the max hygiene.

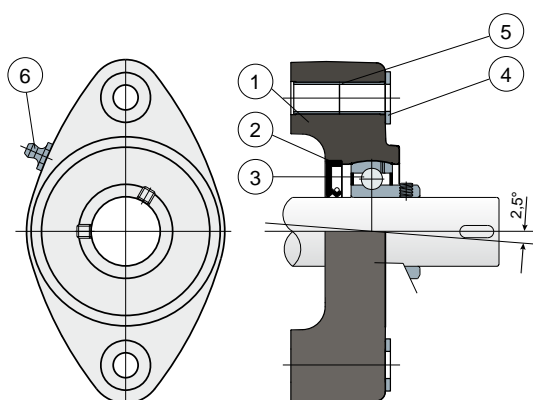


Oval flanged bearing supports

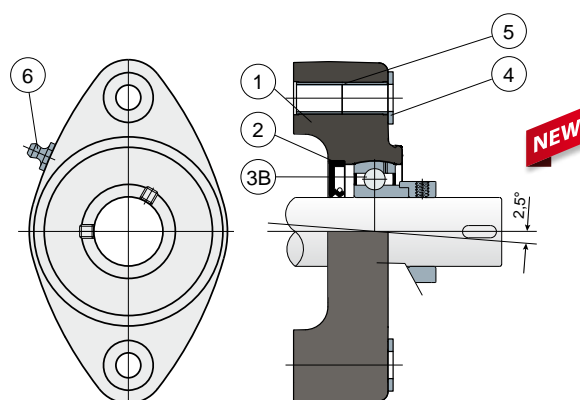
Serie UCFL/CX



Grub screws shaft locking - Without protection cover



Eccentric collar shaft locking - Without protection cover



- 1) Housing made out of blue Ral 5005 colour polyamide reinforced with glass fibers.
- 2) Back gasket made out of NBR rubber for turning shaft seal.
- 3) Chrome steel or stainless steel bearing AISI 440.
- 3B) Chrome steel bearing.
- 4) UNI 6592 support washer made out of stainless steel AISI 304.
- 5) Spacer for fixing reinforcement made out of stainless steel AISI 304.
- 6) Greaser, straight type with 1/8 gas thread, made out of stainless steel AISI 303.

NOTE: The only difference from UCFL/C series is lack of protection cover, which can be ordered separately as an accessory.

Support dimensions respect ISO 3228 set of rules

Maximum shaft alignment error 2,5°

For further information please contact our technical office or sales department.

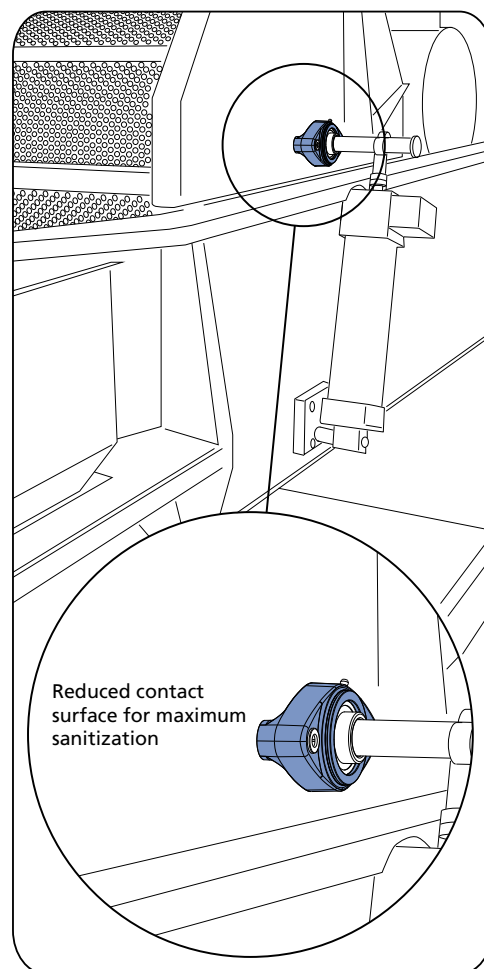
MATERIALS: Support made out of blue Ral 5005 colour PA + glass fiber; bearing with grub screws shaft locking in chrome steel or stainless steel; bearing with eccentric collar shaft locking in chrome steel; greaser made out of stainless steel; reinforcement bushings and washers made out of stainless steel AISI 304; gaskets made out of NBR rubber; cover made out of polypropylene grey Ral 7042, blue Ral 5015, orange Ral 2004, red Ral 3000 colour.

FEATURES: The difference from UCFL/C series is lack of protection cover which can be ordered separately as an accessory. Assembly with not shouldered shafts. The reduced contact surface of the base of the support allows maximum sanitization. Maximum shaft alignment error 2.5°.

BOX QUANTITY: 8 pieces.

ON REQUEST: Versions with body in polypropylene + glass fiber and antibacterial additive; protection cover in different colours and with customized brand; box quantity according to your request; Viton gaskets, "Long life" bearings.

Example of application



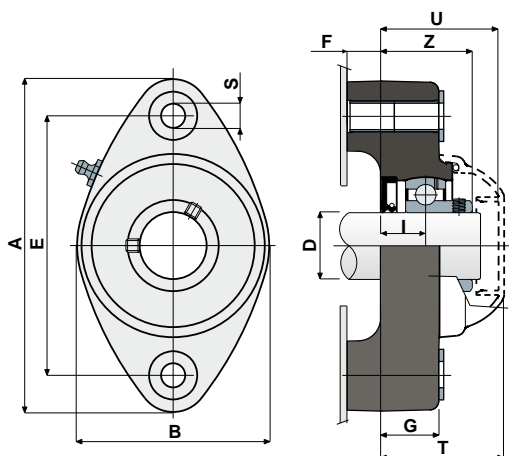


Oval flanged bearing supports

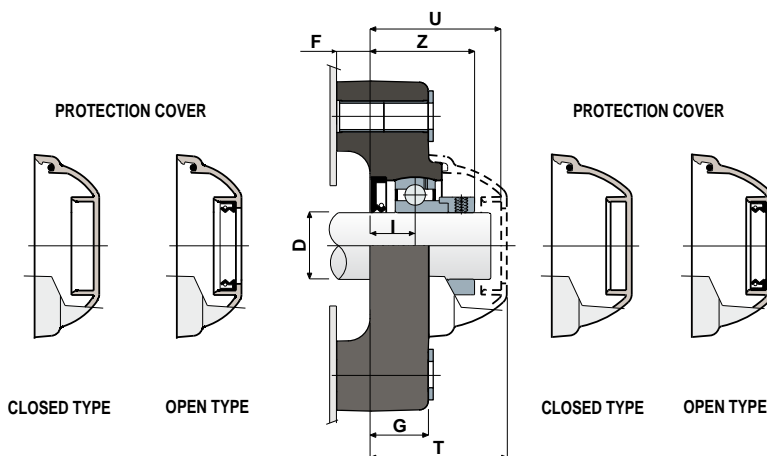
Technical data

Serie **UCFL/CX**

GRUB SCREWS SHAFT LOCKING



ECCENTRIC COLLAR SHAFT LOCKING



GRUB SCREWS SHAFT LOCKING

D	SERIE	CHROME STEEL BEARING											COVER CODES											
		Support CODES	DIMENSIONS (mm)										Bearing load (N)		Bearing support load		GREY RAL 7042		BLUE RAL 5015		ORANGE RAL 2004		RED RAL 3000	
			Blue Ral 5005	E	A	B	S	F	G	I	Z	U	T	C	CO	(N)	Closed	Open	Closed	Open	Closed	Open	Closed	Open
25	UCFL 205 CX	88637	99	131	72	10,5	15	22	17,4	37	47	49,5	14000	7800	10000	80075	80076	85384	85385	82276	82277	87542	87543	
30	UCFL 206 CX	87427	117	149	86	10,5	15	26	20	42	53	56	19500	11300	13000	80011	80053	84100	80354	82278	82279	87531	87530	

NEW

ECCENTRIC COLLAR SHAFT LOCKING

D	SERIE	CHROME STEEL BEARING											COVER CODES				
		Support CODES	DIMENSIONS (mm)										Bearing load (N)		GREY RAL 7042		
			Blue Ral 5005	E	A	B	S	F	G	I	Z	U	T	C	CO	(N)	Closed
25	UCFL 205 CX	88649	99	131	72	10,5	15	22	17,4	41	52,6	55	14000	7800	10000	88373	88374
30	UCFL 206 CX	88551	117	149	86	10,5	15	26	20	46,7	59,2	61,8	19500	11300	13000	88375	88376

NEW

GRUB SCREWS SHAFT LOCKING

D	SERIE	STAINLESS STEEL BEARING AISI 440											COVER CODES										
		Support CODES	DIMENSIONS (mm)										Bearing load (N)		GREY RAL 7042		BLUE RAL 5015		ORANGE RAL 2004		RED RAL 3000		
			Blue Ral 5005	E	A	B	S	F	G	I	Z	U	T	C	CO	(N)	Closed	Open	Closed	Open	Closed	Open	Closed
25	UCFL 205 CX	88638	99	131	72	10,5	15	22	17,4	37	47	49,5	9150	7800	10000	80075	80076	85384	85385	82276	82277	87542	87543
30	UCFL 206 CX	87751	117	149	86	10,5	15	26	20	42	53	56	12500	11200	13000	80011	80053	84100	80354	82278	82279	87531	87530

NEW



Self-aligning bearings with Solid body: completely closed surface to guarantee the max hygiene.



Side flanged bearing supports

Serie **UCFB/C**



On request covers in polypropylene blue Ral 5015 colour.

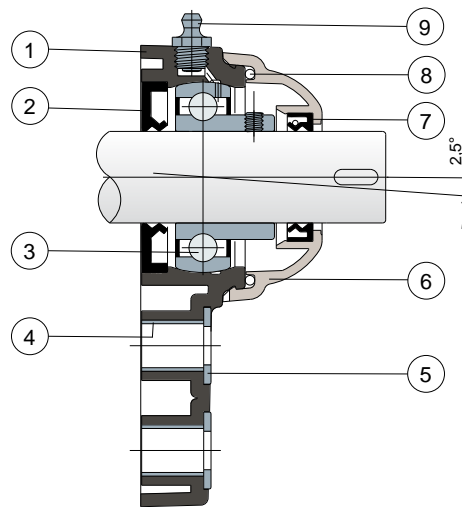


On request covers in polypropylene orange Ral 2004 colour.



On request covers in polypropylene red Ral 3000 colour.

Full protection of bearing



- 1) Housing made out of black or white colour polyamide reinforced with glass fibers.
- 2) Back gasket made out of NBR rubber for turning shaft seal.
- 3) Chrome steel or stainless steel bearing AISI 440.
- 4) Spacer for fixing reinforcement made out of stainless steel AISI 304.
- 5) UNI 6592 support washer made out of stainless steel AISI 304.
- 6) Protection cover made out of polypropylene (grey colour Ral 7042).
- 7) Front gasket made out of NBR rubber for turning shaft seal.
- 8) OR gasket made out of NBR rubber
- 9) Greaser, straight type with 1/8 gas thread, made out of nickel-plated brass.

Maximum shaft alignment error 2,5°

For further information please contact our technical office or sales department.

MATERIALS: Housing is made out of PA + glass fiber in black or white colours; chrome steel or stainless steel bearing, greaser made out of nickel plated brass; reinforcement bushings and washers made out of stainless steel AISI 304; gaskets made out of NBR rubber; cover made out of grey RAL 7042 colour polypropylene.

FEATURES: Full protection of bearing against external agents. Assembly with not shouldered shafts. Maximum shaft alignment error 2.5°.

BOX QUANTITY: 8 pieces.

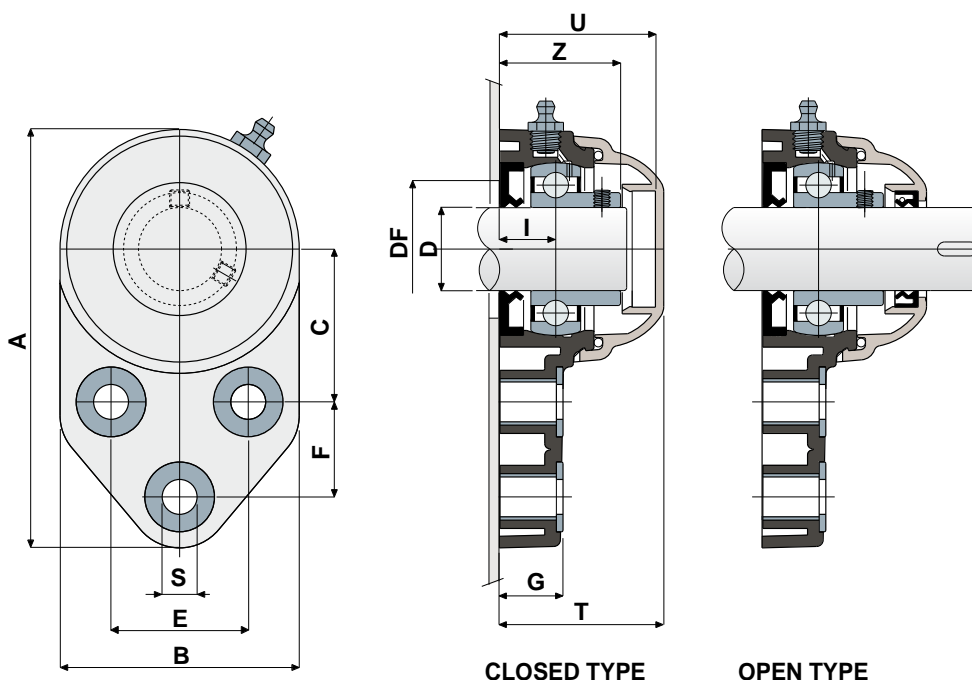
ON REQUEST: Versions with body in polypropylene + glass fiber and antibacterial additive; supports with eccentric collar shaft locking with chrome steel bearing; protection cover in different colours and with customized brand; box quantity according to your request; Viton gaskets, "Long life" bearings.



Side flanged bearing supports

Technical data

Serie **UCFB/C**



CHROME STEEL BEARING																					
D	SERIE	CODES				DIMENSIONS (mm)												Bearing load (N)		Bearing support load	
		Black		White		E	A	B	C	F	S	G	I	Z	U	T	DF		C	C0	(N)
		Closed	Open	Closed	Open												Max	Min			
20	UCFB 204 C	82862	82861	84718	84719	41,3	126	72	46	28,6	10,5	19	18	36	47	49,5	45	40	12800	6600	8500
25	UCFB 205 C	82771	82770	84720	84721	41,3	126	72	46	28,6	10,5	19	17	36,5	47	49,5	50	45	14000	7800	9000
30	UCFB 206 C	84048	84049	84722	84723	47,6	142	85	52,4	32	10,5	26,3	20,7	41,7	53,2	55,7	60	50	19500	11300	11000
35	UCFB 207 C	84050	84051	84724	84725	51	155	94	60,5	32	10,5	26,3	20	45,3	56,5	59	70	55	25500	15300	13000
40	UCFB 208 C	83031	83033	84726	84727	50	165	100	60,5	41	10,5	26,3	19,5	48,5	65,5	68	78	65	32500	19800	18000

STAINLESS STEEL BEARING AISI 440																					
D	SERIE	CODES				DIMENSIONS (mm)												Bearing load (N)		Bearing support load	
		Black		White		E	A	B	C	F	S	G	I	Z	U	T	DF		C	C0	(N)
		Closed	Open	Closed	Open												Max	Min			
20	UCFB 204 C	82866	82865	84728	84729	41,3	126	72	46	28,6	10,5	19	18	36	47	49,5	45	40	8300	6600	8500
25	UCFB 205 C	82775	82774	84730	84731	41,3	126	72	46	28,6	10,5	19	17	36,5	47	49,5	50	45	9150	7800	9000
30	UCFB 206 C	84052	84053	84732	84733	47,6	142	85	52,4	32	10,5	26,3	20,7	41,7	53,2	55,7	60	50	12500	11200	11000
35	UCFB 207 C	84054	84055	84734	84735	51	155	94	60,5	32	10,5	26,3	20	45,3	56,5	59	70	55	16600	15300	13000
40	UCFB 208 C	83040	83027	84736	84737	50	165	100	60,5	41	10,5	26,3	19,5	48,5	65,5	68	78	65	20000	19000	18000

VERSIONS WITH MEASURES IN INCHES

CHROME STEEL BEARING																						
D	SERIE	CODES				DIMENSIONS (mm)												Bearing load (N)		Bearing support load		
		Black		White		E	A	B	C	F	S	G	I	Z	U	T	DF		C	C0	(N)	
		Closed	Open	Closed	Open												Max	Min				
1"	25,4	UCFB 205 C	84523	84524	84907	84908	41,3	126	72	46	28,6	10,5	19	17	36,5	47	49,5	50	45	14000	7800	9000
1 1/4"	31,75	UCFB 206 C	84525	84526	84909	84910	47,6	142	85	52,4	32	10,5	26,3	20,7	41,7	53,2	55,7	60	50	19500	11300	11000

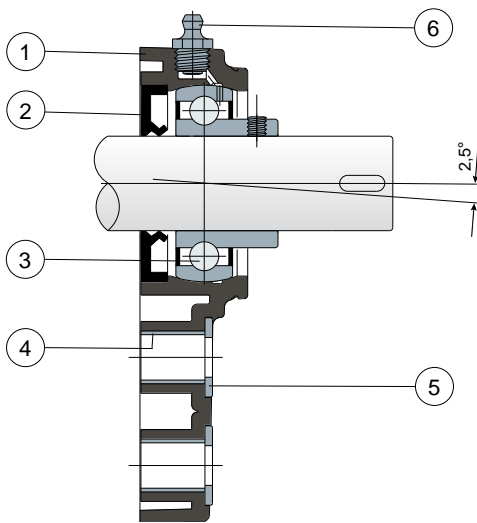


Side flanged bearing supports

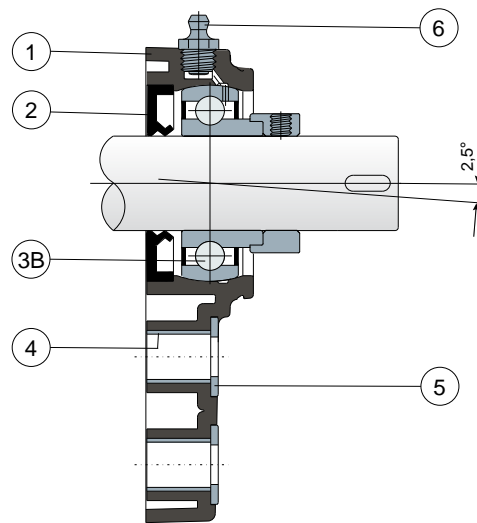
Serie **UCFB/CX**



Grub screws shaft locking - Without protection cover



Eccentric collar shaft locking - Without protection cover



- 1) Housing made out of black or white colour polyamide reinforced with glass fibers.
- 2) Back gasket made out of NBR rubber for turning shaft seal.
- 3) Chrome steel or stainless steel bearing AISI 440.
- 3B) Chrome steel bearing.
- 4) Spacer for fixing reinforcement made out of stainless steel AISI 304.
- 5) UNI 6592 support washer made out of stainless steel AISI 304.
- 6) Greaser, straight type with 1/8 gas thread, made out of nickel-plated brass.

NOTE: The only difference from UCFB/C series is lack of protection cover, which can be ordered separately as an accessory.

Maximum shaft alignment error 2,5°

For further information please contact our technical office or sales department.

MATERIALS: Housing is made out of PA + glass fiber in black or white colours; bearing with grub screws shaft locking in chrome steel or stainless steel; bearing with eccentric collar shaft locking in chrome steel; greaser made out of nickel plated brass; reinforcement bushings and washers made out of stainless steel AISI 304; gaskets made out of NBR rubber; cover made out of polypropylene grey Ral 7042, blue Ral 5015, orange Ral 2004 or red Ral 3000 colour.
FEATURES: The difference from UCFB/C series is lack of protection cover which can be ordered separately as an accessory. Assembly with not shouldered shafts. Maximum shaft alignment error 2.5°.

BOX QUANTITY: 8 pieces.

ON REQUEST: Versions with body in polypropylene + glass fiber and antibacterial additive; protection cover in different colours and with customized brand; box quantity according to your request; Viton gaskets, "Long life" bearings.



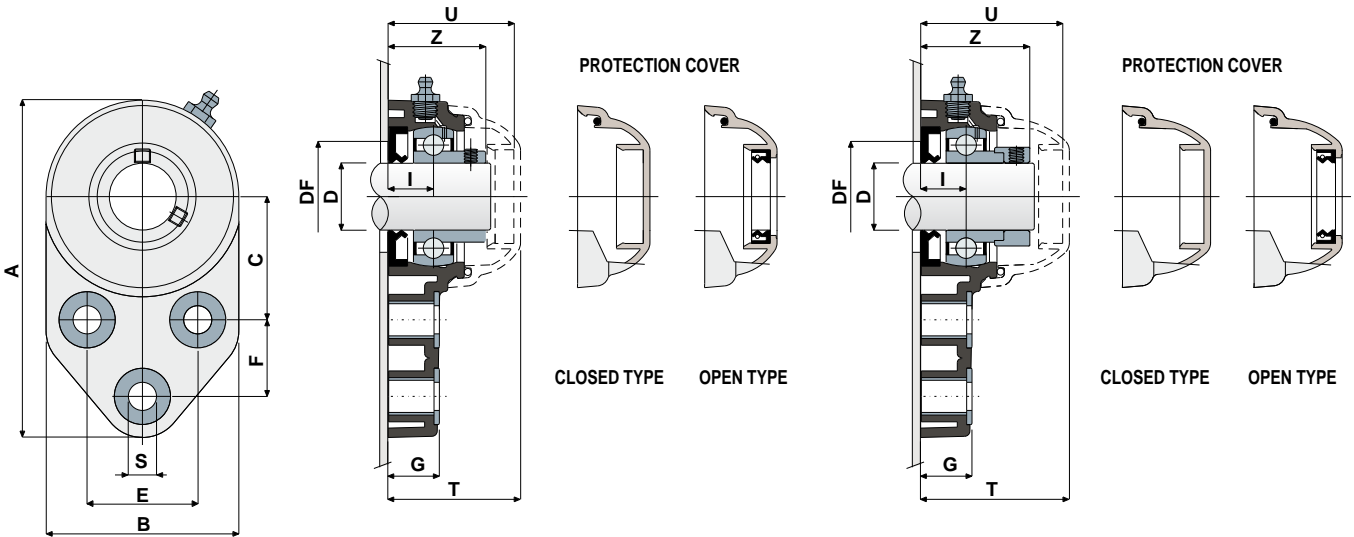
Side flanged bearing supports

Technical data

Serie **UCFB/CX**

GRUB SCREWS SHAFT LOCKING

ECCENTRIC COLLAR SHAFT LOCKING



GRUB SCREWS SHAFT LOCKING

D	SERIE	Support CODES		CHROME STEEL BEARING											Bearing load (N)		Bearing support load		COVER CODES								
		Black	White	DIMENSIONS (mm)											C	CO	(N)	GREY RAL 7042		BLUE RAL 5015		ORANGE RAL 2004		RED RAL 3000			
				E	A	B	C	F	S	G	I	Z	U	T				Max	Min	Closed	Open	Closed	Open	Closed	Open	Closed	Open
20	UCFB 204 CX	83023	84738	41,3	126	72	46	28,6	10,5	19	18	36	47	49,5	45	40	12800	6600	8500	80254	80255	87259	83901	82305	82306	87540	87541
25	UCFB 205 CX	82772	84739	41,3	126	72	46	28,6	10,5	19	17	36,5	47	49,5	50	45	14000	7800	9000	80075	80076	85384	85385	82276	82277	87542	87543
30	UCFB 206 CX	84056	84740	47,6	142	85	52,4	32	10,5	26,3	20,7	41,7	53,2	55,7	60	50	19500	11300	11000	80011	80053	84100	80354	82278	82279	87531	87530
35	UCFB 207 CX	84057	84741	51	155	94	60,5	32	10,5	26,3	20	45,3	56,5	59	70	55	25500	15300	13000	80077	80078	80969	80275	82284	82285	87544	87545
40	UCFB 208 CX	82478	84742	50	165	100	60,5	41	10,5	26,3	19,5	48,5	65,5	68	78	65	32500	19800	18000	80256	80257	83088	86722	82280	82281	87528	82804

ECCENTRIC COLLAR SHAFT LOCKING

D	SERIE	Support CODES		CHROME STEEL BEARING											Bearing load (N)		Bearing support load		COVER CODES		
		Black	White	DIMENSIONS (mm)											C	CO	(N)	GREY RAL 7042			
				E	A	B	C	F	S	G	I	Z	U	T				Max	Min	Closed	Open
20	UCFB 204 CX	88559	88559	41,3	126	72	46	28,6	10,5	19	18	41,5	54	56,5	45	40	12800	6600	8500	88371	88372
25	UCFB 205 CX	88556	88560	41,3	126	72	46	28,6	10,5	19	17	40,5	52,9	55,4	50	45	14000	7800	9000	88373	88374
30	UCFB 206 CX	88557	88561	47,6	142	85	52,4	32	10,5	26,3	20,7	47,4	59,4	61,9	60	50	19500	11300	11000	88375	88376
35	UCFB 207 CX	88558	88562	51	155	94	60,5	32	10,5	26,3	20	49,3	61,3	63,8	70	55	25500	15300	13000	88377	88378
40	UCFB 208 CX	88332	88563	50	165	100	60,5	41	10,5	26,3	19,5	52,2	65,5	68	78	65	32500	19800	18000	80256	80257

NEW

GRUB SCREWS SHAFT LOCKING

D	SERIE	Support CODES		STAINLESS STEEL BEARING AISI 440											Bearing load (N)		Bearing support load		COVER CODES								
		Black	White	DIMENSIONS (mm)											C	CO	(N)	GREY RAL 7042		BLUE RAL 5015		ORANGE RAL 2004		RED RAL 3000			
				E	A	B	C	F	S	G	I	Z	U	T				Max	Min	Closed	Open	Closed	Open	Closed	Open	Closed	Open
20	UCFB 204 CX	83039	84743	41,3	126	72	46	28,6	10,5	19	18	36	47	49,5	45	40	8300	6600	8500	80254	80255	87259	83901	82305	82306	87540	87541
25	UCFB 205 CX	82776	84744	41,3	126	72	46	28,6	10,5	19	17	36,5	47	49,5	50	45	9150	7800	9000	80075	80076	85384	85385	82276	82277	87542	87543
30	UCFB 206 CX	84058	84745	47,6	142	85	52,4	32	10,5	26,3	20,7	41,7	53,2	55,7	60	50	12500	11200	11000	80011	80053	84100	80354	82278	82279	87531	87530
35	UCFB 207 CX	84059	84746	51	155	94	60,5	32	10,5	26,3	20	45,3	56,5	59	70	55	16600	15300	13000	80077	80078	80969	80275	82284	82285	87544	87545
40	UCFB 208 CX	83041	84747	50	165	100	60,5	41	10,5	26,3	19,5	48,5	65,5	68	78	65	20000	19000	18000	80256	80257	83088	86722	82280	82281	87528	82804

GRUB SCREWS SHAFT LOCKING - VERSIONS WITH MEASURES IN INCHES

D	SERIE	Support CODES		CHROME STEEL BEARING											Bearing load (N)		Bearing support load		COVER CODES								
		Black	White	DIMENSIONS (mm)											C	CO	(N)	GREY RAL 7042		BLUE RAL 5015		ORANGE RAL 2004		RED RAL 3000			
				E	A	B	C	F	S	G	I	Z	U	T				Max	Min	Closed	Open	Closed	Open	Closed	Open	Closed	Open
1"	UCFB 205 CX	84527	84915	41,3	126	72	46	28,6	10,5	19	17	36,5	47	49,5	50	45	14000	7800	9000	80075	85202	85384	87273	82276	87660	87542	87663
1 1/4"	UCFB 206 CX	84528	84916	47,6	142	85	52,4	32	10,5	26,3	20,7	41,7	53,2	55,7	60	50	19500	11300	11000	80011	85203	84100	87274	82278	87661	87531	87664

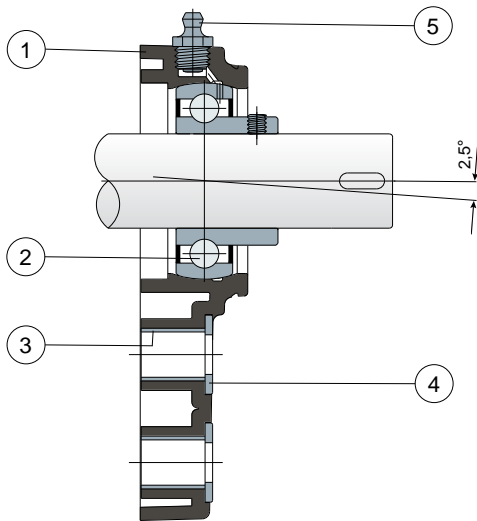


Side flanged bearing supports

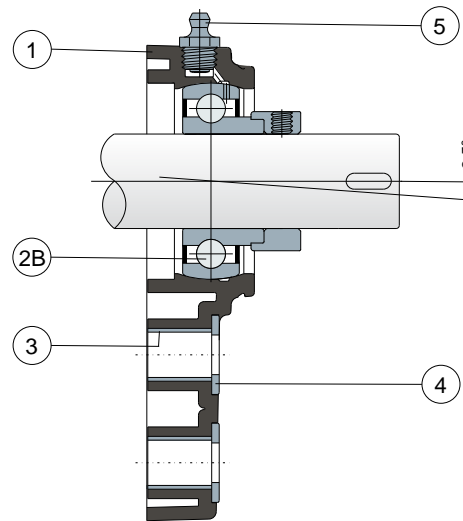
Serie **UCFB**



Grub screws shaft locking - Without cover and back gasket



Eccentric collar shaft locking - Without cover and back gasket



- 1) Housing made out of black or white colour polyamide reinforced with glass fibers.
- 2) Chrome steel or stainless steel bearing AISI 440.
- 2B) Chrome steel bearing.
- 3) Spacer for fixing reinforcement made out of stainless steel AISI 304.
- 4) UNI 6592 support washer made out of stainless steel AISI 304.
- 5) Greaser, straight type with 1/8 gas thread, made out of nickel-plated brass.

NOTE: The only difference from UCFB/C series is lack of back gasket and protection cover, which can be ordered separately as accessories.

Support dimensions respect ISO 3228 set of rules.

Maximum shaft alignment error 2,5°

For further information please contact our technical office or sales department.

MATERIALS: Housing is made out of PA + glass fiber in black or white colours; bearing with grub screws shaft locking in chrome steel or stainless steel; bearing with eccentric collar shaft locking in chrome steel; greaser made out of nickel plated brass; reinforcement bushings and washers made out of stainless steel AISI 304; gaskets made out of NBR rubber; cover made out of polypropylene grey Ral 7042, blue Ral 5015, orange Ral 2004 or red Ral 3000 colour.

FEATURES: The difference from UCFB/C series is lack of back gasket and protection cover, which can be ordered separately as accessories. Assembly with shouldered and not shouldered shafts. Maximum shaft alignment error 2.5°.

BOX QUANTITY: 8 pieces.

ON REQUEST: Versions with body in polypropylene + glass fiber and antibacterial additive; protection cover in different colours and with customized brand; box quantity according to your request; Viton gaskets, "Long life" bearings.



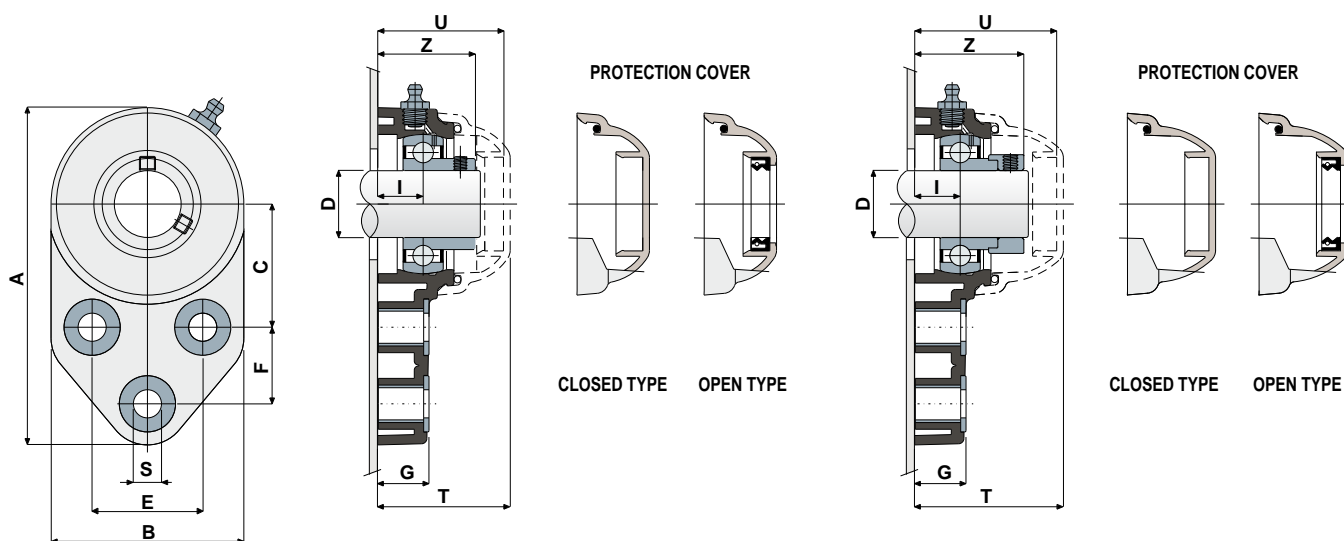
Side flanged bearing supports

Technical data

Serie **UCFB**

GRUB SCREWS SHAFT LOCKING

ECCENTRIC COLLAR SHAFT LOCKING



GRUB SCREWS SHAFT LOCKING

D	SERIE	CHROME STEEL BEARING														COVER CODES									
		Support CODES		DIMENSIONS (mm)										Bearing load (N)		Bearing support load		GREY RAL 7042		BLUE RAL 5015		ORANGE RAL 2004		RED RAL 3000	
		Black	White	E	A	B	C	F	S	G	I	Z	U	T	C	CO	(N)	Closed	Open	Closed	Open	Closed	Open	Closed	Open
20	UCFB 204	83025	84748	41,3	126	72	46	28,6	10,5	19	18	36	47	49,5	12800	6600	8500	80254	80255	87259	83901	82305	82306	87540	87541
25	UCFB 205	82773	84749	41,3	126	72	46	28,6	10,5	19	17	36,5	47	49,5	14000	7800	9000	80075	80076	85384	85385	82276	82277	87542	87543
30	UCFB 206	84060	84750	47,6	142	85	52,4	32	10,5	26,3	20,7	41,7	53,2	55,7	19500	11300	11000	80011	80053	84100	80354	82278	82279	87531	87530
35	UCFB 207	84061	84751	51	155	94	60,5	32	10,5	26,3	20	45,3	56,5	59	25500	15300	13000	80077	80078	80969	80275	82284	82285	87544	87545
40	UCFB 208	83029	84752	50	165	100	60,5	41	10,5	26,3	19,5	48,5	65,5	68	32500	19800	18000	80256	80257	83088	86722	82280	82281	87528	82804

ECCENTRIC COLLAR SHAFT LOCKING

D	SERIE	CHROME STEEL BEARING														COVER CODES			
		Support CODES		DIMENSIONS (mm)										Bearing load (N)		Bearing support load		GREY RAL 7042	
		Black	White	E	A	B	C	F	S	G	I	Z	U	T	C	CO	(N)	Closed	Open
20	UCFB 204	88564	88569	41,3	126	72	46	28,6	10,5	19	18	41,5	54	56,5	12800	6600	8500	88371	88372
25	UCFB 205	88565	88570	41,3	126	72	46	28,6	10,5	19	17	40,5	52,9	55,4	14000	7800	9000	88373	88374
30	UCFB 206	88566	88571	47,6	142	85	52,4	32	10,5	26,3	20,7	47,4	59,4	61,9	19500	11300	11000	88375	88376
35	UCFB 207	88567	88572	51	155	94	60,5	32	10,5	26,3	20	49,3	61,3	63,8	25500	15300	13000	88377	88378
40	UCFB 208	88568	88573	50	165	100	60,5	41	10,5	26,3	19,5	52,2	65,5	68	32500	19800	18000	80256	80257

NEW

GRUB SCREWS SHAFT LOCKING

D	SERIE	STAINLESS STEEL BEARING AISI 440														COVER CODES									
		Support CODES		DIMENSIONS (mm)										Bearing load (N)		Bearing support load		GREY RAL 7042		BLUE RAL 5015		ORANGE RAL 2004		RED RAL 3000	
		Black	White	E	A	B	C	F	S	G	I	Z	U	T	C	CO	(N)	Closed	Open	Closed	Open	Closed	Open	Closed	Open
20	UCFB 204	83042	84753	41,3	126	72	46	28,6	10,5	19	18	36	47	49,5	8300	6600	8500	80254	80255	87259	83901	82305	82306	87540	87541
25	UCFB 205	82777	84754	41,3	126	72	46	28,6	10,5	19	17	36,5	47	49,5	9150	7800	9000	80075	80076	85384	85385	82276	82277	87542	87543
30	UCFB 206	84062	84755	47,6	142	85	52,4	32	10,5	26,3	20,7	41,7	53,2	55,7	12500	11200	11000	80011	80053	84100	80354	82278	82279	87531	87530
35	UCFB 207	84063	84756	51	155	94	60,5	32	10,5	26,3	20	45,3	56,5	59	16600	15300	13000	80077	80078	80969	80275	82284	82285	87544	87545
40	UCFB 208	83044	84757	50	165	100	60,5	41	10,5	26,3	19,5	48,5	65,5	68	20000	19000	18000	80256	80257	83088	86722	82280	82281	87528	82804

GRUB SCREWS SHAFT LOCKING - VERSIONS WITH MEASURES IN INCHES

D	SERIE	CHROME STEEL BEARING														COVER CODES										
		Support CODES		DIMENSIONS (mm)										Bearing load (N)		Bearing support load		GREY RAL 7042		BLUE RAL 5015		ORANGE RAL 2004		RED RAL 3000		
		Black	White	E	A	B	C	F	S	G	I	Z	U	T	C	CO	(N)	Closed	Open	Closed	Open	Closed	Open	Closed	Open	
1"	25,4	UCFB 205	84529	84919	41,3	126	72	46	28,6	10,5	19	17	36,5	47	49,5	14000	7800	9000	80075	85202	85384	87273	82276	87660	87542	87663
1 1/4"	31,75	UCFB 206	84530	84920	47,6	142	85	52,4	32	10,5	26,3	20,7	41,7	53,2	55,7	19500	11300	11000	80011	85203	84100	87274	82278	87661	87531	87664



Pillow Blocks

Serie UCP/C



On request covers in polypropylene blue Ral 5015 colour.

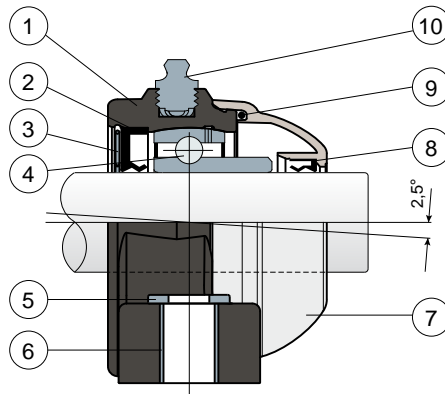


On request covers in polypropylene orange Ral 2004 colour.



On request covers in polypropylene red Ral 3000 colour.

Full protection of bearing



- 1) Housing made out of black or white colour polyamide reinforced with glass fibers.
- 2) Back gasket made out of NBR rubber for turning shaft seal.
- 3) Safety ring in stainless steel AISI 304.
- 4) Chrome steel or stainless steel bearing AISI 440.
- 5) UNI 6592 support washer made out of stainless steel AISI 304.
- 6) Spacer for fixing reinforcement made out of stainless steel AISI 304.
- 7) Protection cover made out of polypropylene (grey colour Ral 7042).
- 8) Front gasket made out of NBR rubber for turning shaft seal.
- 9) OR gasket made out of NBR rubber.
- 10) Greaser, straight type with 1/8 gas thread, made out of nickel-plated brass.

Support dimensions respect ISO 3228 set of rules.

Maximum shaft alignment error 2,5°.

For further information please contact our technical office or sales department.

MATERIALS: Housing is made out of PA + glass fiber in black or white colours; chrome steel or stainless steel bearing; greaser made out of nickel plated brass; reinforcement bushings, washers and safety ring made out of stainless steel AISI 304; gaskets made out of NBR rubber; cover made out of grey RAL 7042 colour polypropylene.

FEATURES: Full protection of bearing against external agents. Assembly with not shouldered shafts. Maximum shaft alignment error 2,5°.

BOX QUANTITY: 8 pieces.

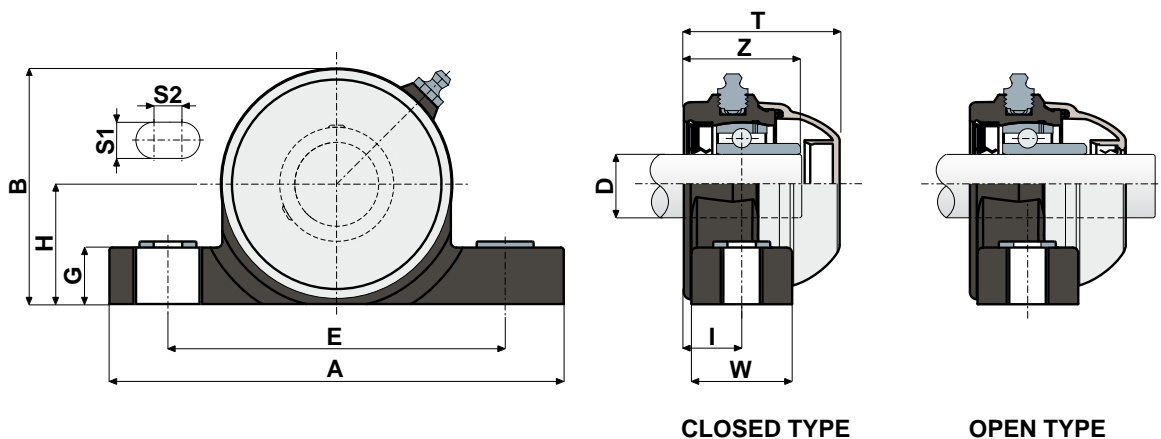
ON REQUEST: Versions with body in polypropylene + glass fiber and antibacterial additive; supports with eccentric collar shaft locking with chrome steel bearing; protection cover in different colours and with customized brand; box quantity according to your request; Viton gaskets, "Long life" bearings.



Pillow Blocks

Technical data

Serie **UCP/C**



CHROME STEEL BEARING																			
D	SERIE	CODES				DIMENSIONS (mm)											Bearing load (N)		Bearing support load (N)
		Black		White		E	A	S1	S2	G	H	B	I	W	Z	T	C	C0	
		Closed	Open	Closed	Open														
20	UCP 204 C	84076	84077	84758	84759	96	130	13	10	20	33,5	65,5	18	30	36	49	12800	6600	5750
25	UCP 205 C	83682	83683	84760	84761	106	140	13	10	20	36,5	71,5	19,6	35	39	51,7	14000	7800	6900
30	UCP 206 C	83684	83685	84762	84763	121	163	13	10	20	43	84,5	20,7	36	41,7	55,7	19500	11300	9200
35	UCP 207 C	83686	83687	84764	84765	126	168	13	10	20	47,6	93,3	22,7	39	48	61,8	25500	15300	11500
40	UCP 208 C	85441	85443	85445	85446	136	185	13	10	20	50	100	22,5	38,6	51,5	70,7	32500	19800	11500

STAINLESS STEEL BEARING AISI 440																			
D	SERIE	CODES				DIMENSIONS (mm)											Bearing load (N)		Bearing support load (N)
		Black		White		E	A	S1	S2	G	H	B	I	W	Z	T	C	C0	
		Closed	Open	Closed	Open														
20	UCP 204 C	84078	84079	84766	84767	96	130	13	10	20	33,5	65,5	18	30	36	49	8300	6600	5750
25	UCP 205 C	83696	83697	84768	84769	106	140	13	10	20	36,5	71,5	19,6	35	39	51,7	9150	7800	6900
30	UCP 206 C	83698	83699	84770	84771	121	163	13	10	20	43	84,5	20,7	36	41,7	55,7	12500	11200	9200
35	UCP 207 C	83700	83701	84772	84773	126	168	13	10	20	47,6	93,3	22,7	39	48	61,8	16600	15300	11500
40	UCP 208 C	85447	85448	85449	85450	136	185	13	10	20	50	100	22,5	38,6	51,5	70,7	20000	19000	11500

VERSIONS WITH MEASURES IN INCHES

CHROME STEEL BEARING																			
D	SERIE	CODES				DIMENSIONS (mm)											Bearing load (N)		Bearing support load (N)
		Black		White		E	A	S1	S2	G	H	B	I	W	Z	T	C	C0	
		(inches)	(mm)	Closed	Open														
1"	UCP 205 C	84531	84532	84923	84924	106	140	13	10	20	36,5	71,5	19,6	35	39	51,7	14000	7800	6900
1 1/4"	UCP 206 C	84533	84534	84925	84926	121	163	13	10	20	43	84,5	20,7	36	41,7	55,7	19500	11300	9200

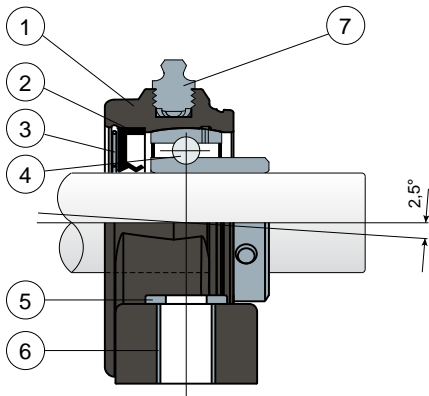


Pillow Blocks

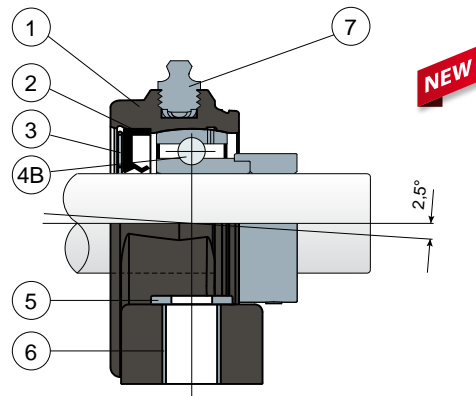
Serie **UCP/CX**



Grub screws shaft locking - Without protection cover



Eccentric collar shaft locking - Without protection cover



- 1) Housing made out of black, white or blue Ral 5005 colour polyamide reinforced with glass fibers.
- 2) Back gasket made out of NBR rubber for turning shaft seal.
- 3) Safety ring in stainless steel AISI 304.
- 4) Chrome steel or stainless steel bearing AISI 440.
- 4B) Chrome steel bearing.
- 5) UNI 6592 support washer made out of stainless steel AISI 304.
- 6) Spacer for fixing reinforcement made out of stainless steel AISI 304.
- 7) Greaser, straight type with 1/8 gas thread, made out of nickel-plated brass.

NOTE: The only difference from UCP/C series is lack of protection cover, which can be ordered separately as an accessory.

Support dimensions respect ISO 3228 set of rules.

Maximum shaft alignment error 2,5°.

For further information please contact our technical office or sales department.

MATERIALS: Housing is made out of PA + glass fiber in black, white or blue Ral 5005 colours; bearing with grub screws shaft locking in chrome steel or stainless steel; bearing with eccentric collar shaft locking in chrome steel; greaser made out of nickel plated brass; reinforcement bushings, washers and safety ring made out of stainless steel AISI 304; gaskets made out of NBR rubber; cover made out of polypropylene grey Ral 7042, blue Ral 5015, orange Ral 2004 or red Ral 3000 colour.

FEATURES: The difference from UCP/C series is lack of protection cover which can be ordered separately as an accessory. Assembly with not shouldered shafts. Maximum shaft alignment error 2,5°.

BOX QUANTITY: 8 pieces.

ON REQUEST: Versions with body in polypropylene + glass fiber and antibacterial additive; protection cover in different colours and with customized brand; box quantity according to your request; Viton gaskets, "Long life" bearings.



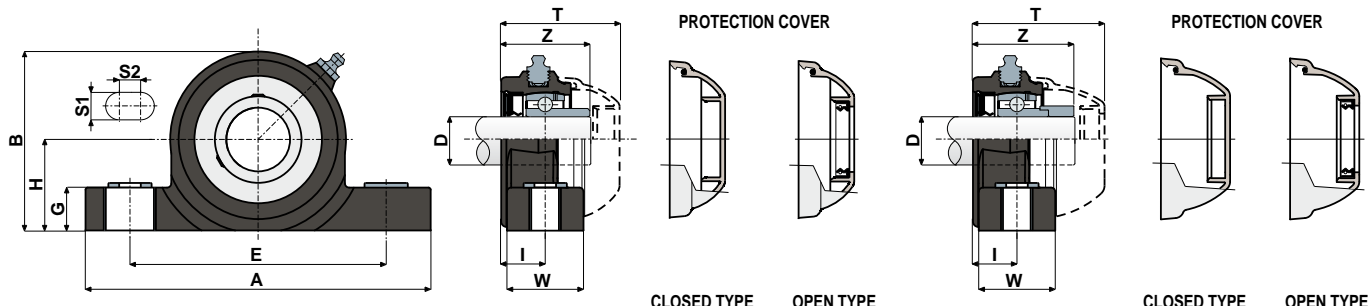
Pillow Blocks

Technical data

Serie **UCP/CX**

GRUB SCREWS SHAFT LOCKING

ECCENTRIC COLLAR SHAFT LOCKING



GRUB SCREWS SHAFT LOCKING

D	SERIE	CHROME STEEL BEARING														COVER CODES										
		Support CODES			DIMENSIONS (mm)											Bearing load (N)	Bearing support load	GREY RAL 7042		BLUE RAL 5015		ORANGE RAL 2004		RED RAL 3000		
		Black	White	Blue Ral 5005	E	A	S1	S2	G	H	B	I	W	Z	T	C	CO	(N)	Closed	Open	Closed	Open	Closed	Open	Closed	Open
20	UCP 204 CX	84080	84774	87753	96	130	13	10	20	33,5	65,5	18	30	36	49	12800	6600	5750	80254	80255	87259	83901	82305	82306	87540	87541
25	UCP 205 CX	83688	84775	87754	106	140	13	10	20	36,5	71,5	19,6	35	39	51,7	14000	7800	6900	80075	80076	85384	85385	82276	82277	87542	87543
30	UCP 206 CX	83689	84776	87755	121	163	13	10	20	43	84,5	20,7	36	41,7	55,7	19500	11300	9200	80011	80053	84100	80354	82278	82279	87531	87530
35	UCP 207 CX	83690	84777	87756	126	168	13	10	20	47,6	93,3	22,7	39	48	61,8	25500	15300	11500	80077	80078	80969	80275	82284	82285	87544	87545
40	UCP 208 CX	85451	85452	87757	136	185	13	10	20	50	100	22,5	38,6	51,5	70,7	32500	19800	11500	80256	80257	83088	86722	82280	82281	87528	82804

ECCENTRIC COLLAR SHAFT LOCKING

D	SERIE	CHROME STEEL BEARING														COVER CODES				
		Support CODES			DIMENSIONS (mm)											Bearing load (N)	Bearing support load	GREY RAL 7042		
		Black	White	Blue Ral 5005	E	A	S1	S2	G	H	B	I	W	Z	T	C	CO	(N)	Closed	Open
20	UCP 204 CX	88574	88579	88584	96	130	13	10	20	33,5	65,5	18	30	41,6	56	12800	6600	5750	88371	88372
25	UCP 205 CX	88575	88580	88585	106	140	13	10	20	36,5	71,5	19,6	35	43	57,6	14000	7800	6900	88373	88374
30	UCP 206 CX	88576	88581	88586	121	163	13	10	20	43	84,5	20,7	36	47,4	61,8	19500	11300	9200	88375	88376
35	UCP 207 CX	88577	88582	88587	126	168	13	10	20	47,6	93,3	22,7	39	52	66,6	25500	15300	11500	88377	88378
40	UCP 208 CX	88578	88583	88588	136	185	13	10	20	50	100	22,5	38,6	55,2	70,9	32500	19800	11500	80256	80257

NEW

GRUB SCREWS SHAFT LOCKING

D	SERIE	STAINLESS STEEL BEARING AISI 440														COVER CODES										
		Support CODES			DIMENSIONS (mm)											Bearing load (N)	Bearing support load	GREY RAL 7042		BLUE RAL 5015		ORANGE RAL 2004		RED RAL 3000		
		Black	White	Blue Ral 5005	E	A	S1	S2	G	H	B	I	W	Z	T	C	CO	(N)	Closed	Open	Closed	Open	Closed	Open	Closed	Open
20	UCP 204 CX	84081	84778	87762	96	130	13	10	20	33,5	65,5	18	30	36	49	8300	6600	5750	80254	80255	87259	83901	82305	82306	87540	87541
25	UCP 205 CX	83702	84779	87763	106	140	13	10	20	36,5	71,5	19,6	35	39	51,7	9150	7800	6900	80075	80076	85384	85385	82276	82277	87542	87543
30	UCP 206 CX	83703	84780	87764	121	163	13	10	20	43	84,5	20,7	36	41,7	55,7	12500	11200	9200	80011	80053	84100	80354	82278	82279	87531	87530
35	UCP 207 CX	83704	84781	87765	126	168	13	10	20	47,6	93,3	22,7	39	48	61,8	16600	15300	11500	80077	80078	80969	80275	82284	82285	87544	87545
40	UCP 208 CX	85453	85454	87766	136	185	13	10	20	50	100	22,5	38,6	51,5	70,7	20000	19000	11500	80256	80257	83088	86722	82280	82281	87528	82804

GRUB SCREWS SHAFT LOCKING - VERSIONS WITH MEASURES IN INCHES

D	SERIE	CHROME STEEL BEARING														COVER CODES											
		Support CODES			DIMENSIONS (mm)											Bearing load (N)	Bearing support load	GREY RAL 7042		BLUE RAL 5015		ORANGE RAL 2004		RED RAL 3000			
		Black	White	Blue Ral 5005	E	A	S1	S2	G	H	B	I	W	Z	T	C	CO	(N)	Closed	Open	Closed	Open	Closed	Open	Closed	Open	
1"	25,4	UCP 205 CX	84535	84931	87767	106	140	13	10	20	36,5	71,5	19,6	35	39	51,7	14000	7800	6900	80075	85202	85384	87273	82276	87660	87542	87663
1 1/4"	31,75	UCP 206 CX	84536	84932	87768	121	163	13	10	20	43	84,5	20,7	36	41,7	55,7	19500	11300	9200	80011	85203	84100	87274	82278	87661	87531	87664

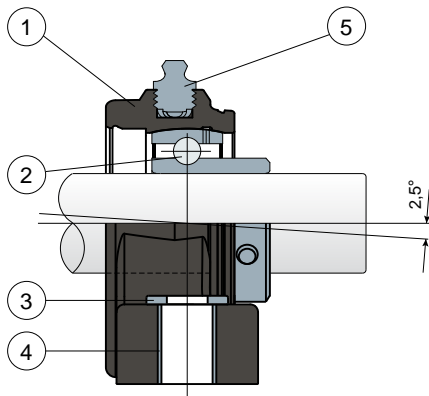


Pillow Blocks

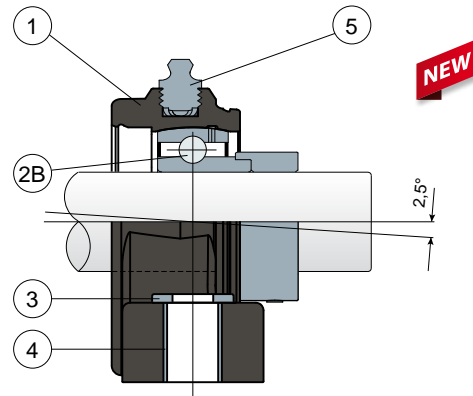
Serie **UCP**



Grub screws shaft locking
Without cover and back gasket



Eccentric collar shaft locking
Without cover and back gasket



- 1) Housing made out of black, white or blue Ral 5005 colour polyamide reinforced with glass fibers.
- 2) Chrome steel or stainless steel bearing AISI 440.
- 2B) Chrome steel bearing.
- 3) UNI 6592 support washer made out of stainless steel AISI 304.
- 4) Spacer for fixing reinforcement made out of stainless steel AISI 304.
- 5) Greaser, straight type with 1/8 gas thread, made out of nickel-plated brass.

NOTE: The only difference from UCP/C series is lack of back gasket and protection cover, which can be ordered separately as accessories.

Support dimensions respect ISO 3228 set of rules.

Maximum shaft alignment error 2,5°.

For further information please contact our technical office or sales department.

MATERIALS: Housing is made out of PA + glass fiber in black, white or blue Ral 5005 colours; bearing with grub screws shaft locking in chrome steel or stainless steel; bearing with eccentric collar shaft locking in chrome steel; greaser made out of nickel plated brass; reinforcement bushings and washers made out of stainless steel AISI 304; gaskets made out of NBR rubber; cover made out of polypropylene grey Ral 7042, blue Ral 5015, orange Ral 2004 or red Ral 3000 colour.

FEATURES: The difference from UCP/C series is lack of back gasket and protection cover, which can be ordered separately as accessories. Assembly with shouldered and not shouldered shafts. Maximum shaft alignment error 2,5°.

BOX QUANTITY: 8 pieces.

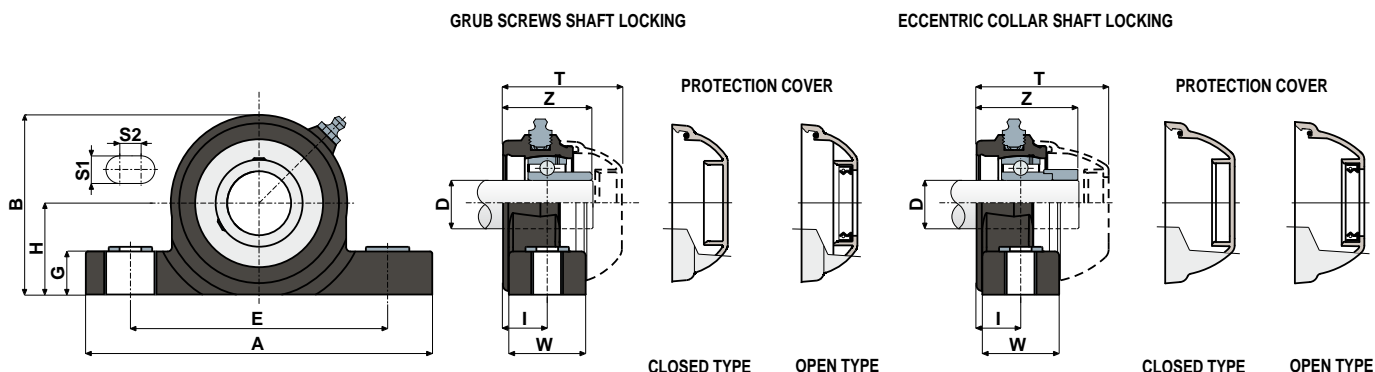
ON REQUEST: Versions with body in polypropylene + glass fiber and antibacterial additive; protection cover in different colours and with customized brand; box quantity according to your request; Viton gaskets, "Long life" bearings.



Pillow Blocks

Technical data

Serie **UCP**



GRUB SCREWS SHAFT LOCKING

D	SERIE	CHROME STEEL BEARING														COVER CODES											
		Support CODES			DIMENSIONS (mm)											Bearing load (N)		Bearing support load		GREY RAL 7042		BLUE RAL 5015		ORANGE RAL 2004		RED RAL 3000	
		Black	White	Blue Ral 5005	E	A	S1	S2	G	H	B	I	W	Z	T	C	CO	(N)	Closed	Open	Closed	Open	Closed	Open	Closed	Open	
20	UCP 204	84082	84782	87769	96	130	13	10	20	33,5	65,5	18	30	36	49	12800	6600	5750	80254	80255	87259	83901	82305	82306	87540	87541	
25	UCP 205	83691	84783	87770	106	140	13	10	20	36,5	71,5	19,6	35	39	51,7	14000	7800	6900	80075	80076	85384	85385	82276	82277	87542	87543	
30	UCP 206	83692	84784	87771	121	163	13	10	20	43	84,5	20,7	36	41,7	55,7	19500	11300	9200	80011	80053	84100	80354	82278	82279	87531	87530	
35	UCP 207	83693	84785	87772	126	168	13	10	20	47,6	93,3	22,7	39	48	61,8	25500	15300	11500	80077	80078	80969	80275	82284	82285	87544	87545	
40	UCP 208	85455	85456	87773	136	185	13	10	20	50	100	22,5	38,6	51,5	70,7	32500	19800	11500	80256	80257	83088	86722	82280	82281	87528	82804	

ECCENTRIC COLLAR SHAFT LOCKING

D	SERIE	CHROME STEEL BEARING														COVER CODES					
		Support CODES			DIMENSIONS (mm)											Bearing load (N)		Bearing support load		GREY RAL 7042	
		Black	White	Blue Ral 5005	E	A	S1	S2	G	H	B	I	W	Z	T	C	CO	(N)	Closed	Open	
20	UCP 204	88592	88597	88602	96	130	13	10	20	33,5	65,5	18	30	41,6	56	12800	6600	5750	88371	88372	
25	UCP 205	88593	88598	88603	106	140	13	10	20	36,5	71,5	19,6	35	43	57,6	14000	7800	6900	88373	88374	
30	UCP 206	88594	88599	88604	121	163	13	10	20	43	84,5	20,7	36	47,4	61,8	19500	11300	9200	88375	88376	
35	UCP 207	88595	88600	88605	126	168	13	10	20	47,6	93,3	22,7	39	52	66,6	25500	15300	11500	88377	88378	
40	UCP 208	88596	88601	88606	136	185	13	10	20	50	100	22,5	38,6	55,2	70,9	32500	19800	11500	80256	80257	



GRUB SCREWS SHAFT LOCKING

D	SERIE	STAINLESS STEEL BEARING AISI 440														COVER CODES											
		Support CODES			DIMENSIONS (mm)											Bearing load (N)		Bearing support load		GREY RAL 7042		BLUE RAL 5015		ORANGE RAL 2004		RED RAL 3000	
		Black	White	Blue Ral 5005	E	A	S1	S2	G	H	B	I	W	Z	T	C	CO	(N)	Closed	Open	Closed	Open	Closed	Open	Closed	Open	
20	UCP 204	84083	84786	87774	96	130	13	10	20	33,5	65,5	18	30	36	49	8300	6600	5750	80254	80255	87259	83901	82305	82306	87540	87541	
25	UCP 205	83705	84787	87775	106	140	13	10	20	36,5	71,5	19,6	35	39	51,7	9150	7800	6900	80075	80076	85384	85385	82276	82277	87542	87543	
30	UCP 206	83706	84788	87776	121	163	13	10	20	43	84,5	20,7	36	41,7	55,7	12500	11200	9200	80011	80053	84100	80354	82278	82279	87531	87530	
35	UCP 207	83707	84789	87777	126	168	13	10	20	47,6	93,3	22,7	39	48	61,8	16600	15300	11500	80077	80078	80969	80275	82284	82285	87544	87545	
40	UCP 208	85457	85458	87778	136	185	13	10	20	50	100	22,5	38,6	51,5	70,7	20000	19000	11500	80256	80257	83088	86722	82280	82281	87528	82804	

GRUB SCREWS SHAFT LOCKING - VERSIONS WITH MEASURES IN INCHES

D	SERIE	CHROME STEEL BEARING														COVER CODES											
		Support CODES			DIMENSIONS (mm)											Bearing load (N)		Bearing support load		GREY RAL 7042		BLUE RAL 5015		ORANGE RAL 2004		RED RAL 3000	
		Black	White	Blue Ral 5005	E	A	S1	S2	G	H	B	I	W	Z	T	C	CO	(N)	Closed	Open	Closed	Open	Closed	Open	Closed	Open	
1"	25,4	UCP 205	84537	84936	87779	106	140	13	10	20	36,5	71,5	19,6	35	39	51,7	14000	7800	6900	80075	85202	85384	87273	82276	87660	87542	87663
1"1/4	31,75	UCP 206	84538	84937	87780	121	163	13	10	20	43	84,5	20,7	36	41,7	55,7	19500	11300	9200	80011	85203	84100	87274	82278	87661	87531	87664



Pillow Blocks

Serie **UCP/C**

NEW



On request covers in polypropylene blue Ral 5015 colour.

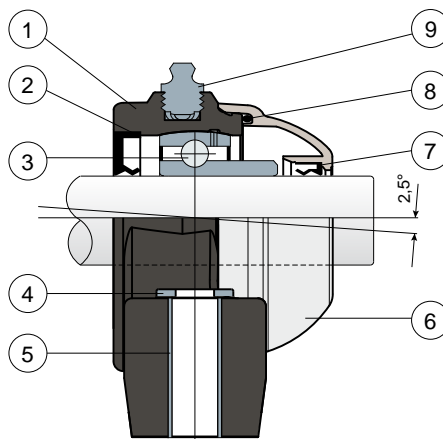


On request covers in polypropylene grey Ral 7042 colour.



On request covers in polypropylene red Ral 3000 colour.

Full protection of bearing



- 1) Housing made out of blue Ral 5005 colour polyamide reinforced with glass fibers.
- 2) Back gasket made out of NBR rubber for turning shaft seal.
- 3) Chrome steel or stainless steel bearing AISI 440.
- 4) UNI 6592 support washer made out of stainless steel AISI 304.
- 5) Spacer for fixing reinforcement made out of stainless steel AISI 304.
- 6) Protection cover made out of polypropylene (orange Ral 2004 colour).
- 7) Front gasket made out of NBR rubber for turning shaft seal.
- 8) OR gasket made out of NBR rubber.
- 9) Greaser, straight type with 1/8 gas thread, made out of stainless steel AISI 303.

Support dimensions respect ISO 3228 set of rules

Maximum shaft alignment error 2,5°

For further information please contact our technical office or sales department.

MATERIALS: Support made out of blue Ral 5005 colour PA + glass fiber; chrome steel or stainless steel bearing; greaser made out of stainless steel; reinforcement bushings and washers made out of stainless steel AISI 304; gaskets made out of NBR rubber; cover made out of orange Ral 2004 colour polypropylene.

FEATURES: Full protection of bearing against external agents. Assembly with not shouldered shafts. The reduced contact surface of the base of the support allows maximum sanification. Maximum shaft alignment error 2.5°.

BOX QUANTITY: 8 pieces.

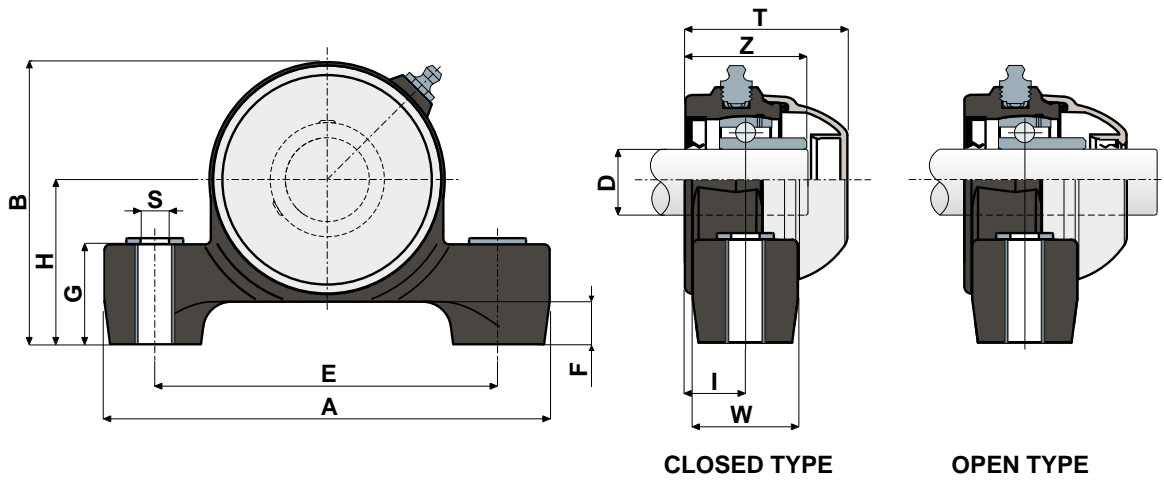
ON REQUEST: Versions with body in polypropylene + glass fiber and antibacterial additive; supports with eccentric collar shaft locking with chrome steel bearing; protection cover in different colours and with customized brand; box quantity according to your request; Viton gaskets; "Long life" bearings.



Pillow Blocks

Technical data

Serie **UCP/C**



CHROME STEEL BEARING																	
D	SERIE	Support CODES		DIMENSIONS (mm)										Bearing load (N)		Bearing support load	
		Blue Ral 5005		E	A	S	F	G	H	B	I	W	Z	T	C	C0	(N)
		Closed	Open														
25	UCP 205 C	88642	88643	106	141	10,5	15	34,5	51,5	86,5	19,6	35	39	51,7	14000	7800	6900
30	UCP 206 C	88399	88400	121	157	10,5	15	34,5	58	99,5	20,7	36	42,7	55,6	19500	11300	9200

STAINLESS STEEL BEARING AISI 440																	
D	SERIE	Support CODES		DIMENSIONS (mm)										Bearing load (N)		Bearing support load	
		Blue Ral 5005		E	A	S	F	G	H	B	I	W	Z	T	C	C0	(N)
		Closed	Open														
25	UCP 205 C	88645	88646	106	141	10,5	15	34,5	51,5	86,5	19,6	35	39	51,7	9150	7800	6900
30	UCP 206 C	88639	88640	121	157	10,5	15	34,5	58	99,5	20,7	36	42,7	55,6	12500	11200	9200

S Self-aligning bearings with Solid body: completely closed surface to guarantee the max hygiene.



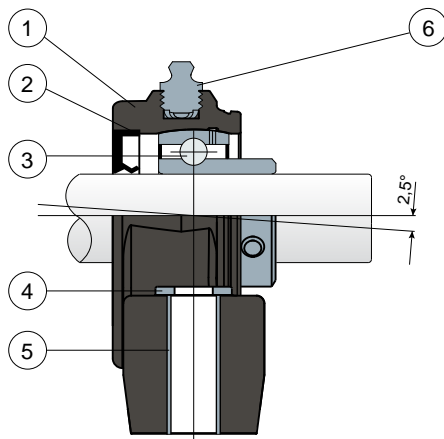
Pillow Blocks

Serie **UCP/CX**

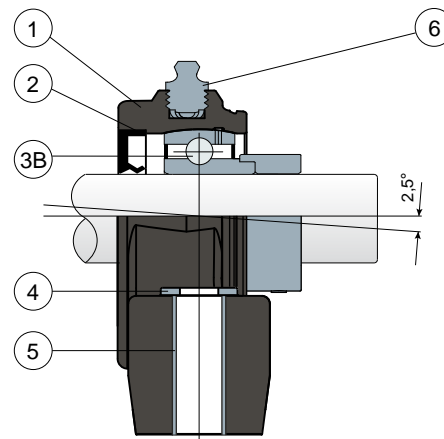
NEW



Grub screws shaft locking - Without protection cover



Eccentric collar shaft locking - Without protection cover



- 1) Housing made out of blue Ral 5005 colour polyamide reinforced with glass fibers.
- 2) Back gasket made out of NBR rubber for turning shaft seal.
- 3) Chrome steel or stainless steel bearing AISI 440.
- 3B) Chrome steel bearing.
- 4) UNI 6592 support washer made out of stainless steel AISI 304.
- 5) Spacer for fixing reinforcement made out of stainless steel AISI 304.
- 6) Greaser, straight type with 1/8 gas thread, made out of stainless steel AISI 303.

NOTE: The only difference from UCP/C series is lack of protection cover, which can be ordered separately as an accessory.

Support dimensions respect ISO 3228 set of rules

Maximum shaft alignment error 2,5°

For further information please contact our technical office or sales department.

MATERIALS: Support made out of blue Ral 5005 colour PA + glass fiber; bearing with grub screws shaft locking in chrome steel or stainless steel; bearing with eccentric collar shaft locking in chrome steel; greaser made out of stainless steel; reinforcement bushings and washers made out of stainless steel AISI 304; gaskets made out of NBR rubber; cover made out of polypropylene grey Ral 7042, blue Ral 5015, orange Ral 2004, red Ral 3000 colour.

FEATURES: The difference from UCP/C series is lack of protection cover which can be ordered separately as an accessory. The reduced contact surface of the base of the support allows maximum sanitation. Assembly with not shouldered shafts. Maximum shaft alignment error 2.5°.

BOX QUANTITY: 8 pieces.

ON REQUEST: Versions with body in polypropylene + glass fiber and antibacterial additive; protection cover in different colours and with customized brand; box quantity according to your request; Viton gaskets, "Long life" bearings.



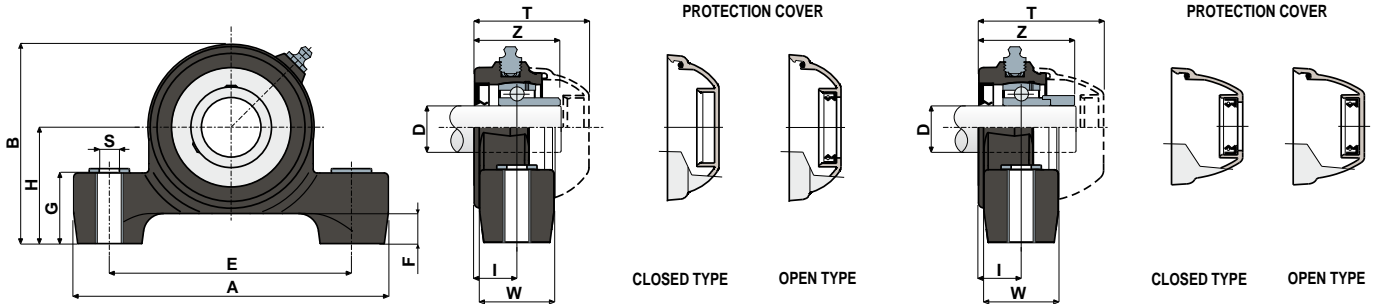
Pillow Blocks

Technical data

Serie **UCP/CX**

GRUB SCREWS SHAFT LOCKING

ECCENTRIC COLLAR SHAFT LOCKING



GRUB SCREWS SHAFT LOCKING

D	SERIE	CHROME STEEL BEARING											COVER CODES												
		Support CODES		DIMENSIONS (mm)										Bearing load (N)		Bearing support load		GREY RAL 7042		BLUE RAL 5015		ORANGE RAL 2004		RED RAL 3000	
		Blue Ral 5005	E	A	S	F	G	H	B	I	W	Z	T	C	CO	(N)	Closed	Open	Closed	Open	Closed	Open	Closed	Open	
25	UCP 205 CX	88644	106	141	10,5	15	34,5	51,5	86,5	19,6	35	39	51,7	14000	7800	6900	80075	80076	85384	85385	82276	82277	87542	87543	
30	UCP 206 CX	88401	121	157	10,5	15	34,5	58	99,5	20,7	36	42,7	55,6	19500	11300	9200	80011	80053	84100	80354	82278	82279	87531	87530	

ECCENTRIC COLLAR SHAFT LOCKING

D	SERIE	CHROME STEEL BEARING											COVER CODES						
		Support CODES		DIMENSIONS (mm)										Bearing load (N)		Bearing support load		GREY RAL 7042	
		Blue Ral 5005	E	A	S	F	G	H	B	I	W	Z	T	C	CO	(N)	Closed	Open	
25	UCP 205 CX	88650	106	141	10,5	15	34,5	51,5	86,5	19,6	35	43	57,5	14000	7800	6900	88373	88374	
30	UCP 206 CX	88651	121	157	10,5	15	34,5	58	99,5	20,7	36	47,4	61,8	19500	11300	9200	88375	88376	

GRUB SCREWS SHAFT LOCKING

D	SERIE	STAINLESS STEEL BEARING AISI 440											COVER CODES												
		Support CODES		DIMENSIONS (mm)										Bearing load (N)		Bearing support load		GREY RAL 7042		BLUE RAL 5015		ORANGE RAL 2004		RED RAL 3000	
		Blue Ral 5005	E	A	S	F	G	H	B	I	W	Z	T	C	CO	(N)	Closed	Open	Closed	Open	Closed	Open	Closed	Open	
25	UCP 205 CX	88647	106	141	10,5	15	34,5	51,5	86,5	19,6	35	39	51,7	9150	7800	6900	80075	80076	85384	85385	82276	82277	87542	87543	
30	UCP 206 CX	88641	121	157	10,5	15	34,5	58	99,5	20,7	36	42,7	55,6	12500	11200	9200	80011	80053	84100	80354	82278	82279	87531	87530	



Self-aligning bearings with Solid body: completely closed surface to guarantee the max hygiene.



Compact Pillow Blocks

Serie **UCPA/C**



On request covers in polypropylene blue Ral 5015 colour.

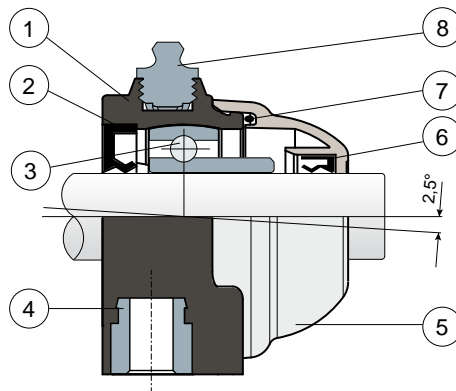


On request covers in polypropylene orange Ral 2004 colour.



On request covers in polypropylene red Ral 3000 colour.

Full protection of bearing



- 1) Housing made out of black or white colour polyamide reinforced with glass fibers.
- 2) Back gasket made out of NBR rubber for turning shaft seal.
- 3) Chrome steel or stainless steel bearing AISI 440.
- 4) Bushing made of nickel plated brass.
- 5) Protection cover made out of polypropylene (grey colour Ral 7042).
- 6) Front gasket made out of NBR rubber for turning shaft seal.
- 7) OR gasket made out of NBR rubber.
- 8) Greaser, straight type with 1/8 gas thread, made out of nickel-plated brass.

Support dimensions respect ISO 3228 set of rules.

Maximum shaft alignment error 2,5°.

For further information please contact our technical office or sales department.

MATERIALS: Housing is made out of PA + glass fiber in black or white colours; chrome steel or stainless steel bearing; greaser and bushings made out of nickel plated brass; gaskets made out of NBR rubber; cover made out of grey RAL 7042 colour polypropylene.

FEATURES: Full protection of bearing against external agents. Assembly with not shouldered shafts. Maximum shaft alignment error 2,5°.

BOX QUANTITY: 8 pieces.

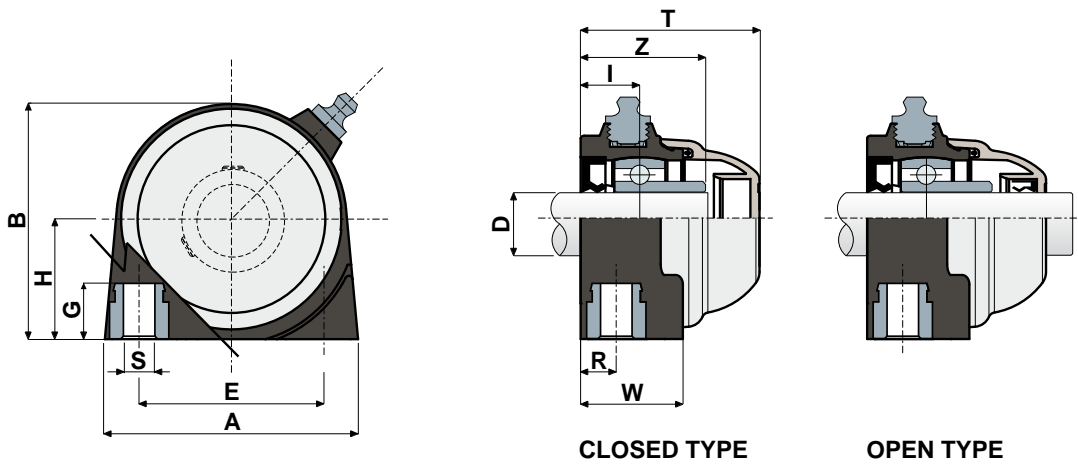
ON REQUEST: Versions with body in polypropylene + glass fiber and antibacterial additive; supports with eccentric collar shaft locking with chrome steel bearing; protection cover in different colours and with customized brand; box quantity according to your request; Viton gaskets, "Long life" bearings.



Compact Pillow Blocks

Technical data

Serie **UCPA/C**



CHROME STEEL BEARING																			
D	SERIE	CODES				DIMENSIONS (mm)											Bearing load (N)		Bearing support load
		Black		White		E	A	S	G	H	B	R	W	I	Z	T	C	C0	(N)
		Closed	Open	Closed	Open														
20	UCPA 204 C	85601	85603	85618	85619	50,8	70	M8	13	33,2	65	10	28	16,2	34,2	49	12800	6600	2500
25	UCPA 205 C	85604	85605	85620	85621	50,8	75	M10	13	36,5	72	12	30	18,8	38,3	52	14000	7800	3000

STAINLESS STEEL BEARING AISI 440																			
D	SERIE	CODES				DIMENSIONS (mm)											Bearing load (N)		Bearing support load
		Black		White		E	A	S	G	H	B	R	W	I	Z	T	C	C0	(N)
		Closed	Open	Closed	Open														
20	UCPA 204 C	85606	85607	85622	85623	50,8	70	M8	13	33,2	65	10	28	16,2	34,2	49	8300	6600	2500
25	UCPA 205 C	85608	85609	85624	85625	50,8	75	M10	13	36,5	72	12	30	18,8	38,3	52	9150	7800	3000

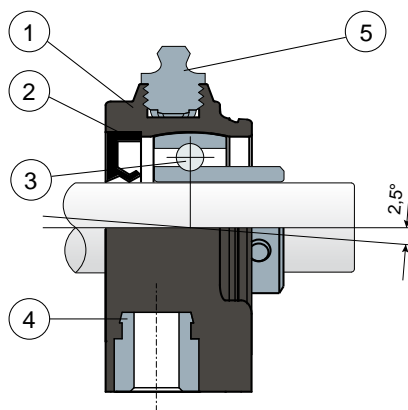


Compact Pillow Blocks

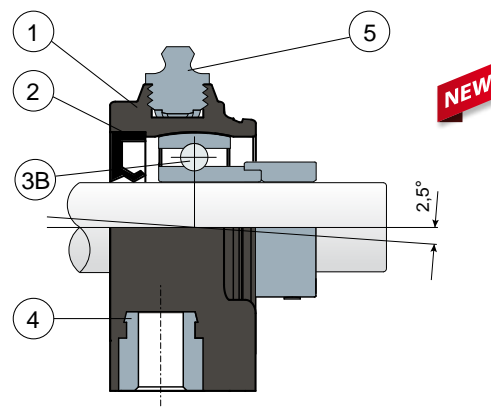
Serie UCPA/CX



Grub screws shaft locking - Without protection cover



Eccentric collar shaft locking - Without protection cover



- 1) Housing made out of black or white colour polyamide reinforced with glass fibers.
- 2) Back gasket made out of NBR rubber for turning shaft seal.
- 3) Chrome steel or stainless steel bearing AISI 440.
- 3B) Chrome steel bearing.
- 4) Bushing made of nickel plated brass.
- 5) Greaser, straight type with 1/8 gas thread, made out of nickel-plated brass.

NOTE: The only difference from UCPA/C series is lack of protection cover, which can be ordered separately as an accessory.

Support dimensions respect ISO 3228 set of rules.

Maximum shaft alignment error 2,5°.

For further information please contact our technical office or sales department.

MATERIALS: Housing is made out of PA + glass fiber in black or white colours; bearing with grub screws shaft locking in chrome steel or stainless steel; bearing with eccentric collar shaft locking in chrome steel; greaser and bushings made out of nickel plated brass; gaskets made out of NBR rubber; cover made out of polypropylene grey Ral 7042, blue Ral 5015, orange Ral 2004 or red Ral 3000 colour.

FEATURES: The difference from UCPA/C series is lack of protection cover which can be ordered separately as an accessory. Assembly with not shouldered shafts. Maximum shaft alignment error 2,5°.

BOX QUANTITY: 8 pieces.

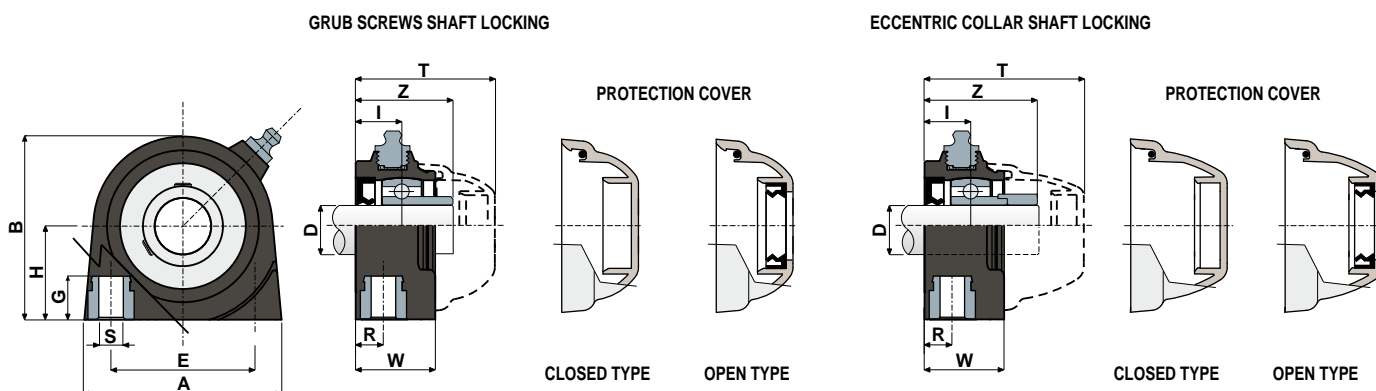
ON REQUEST: Versions with body in polypropylene + glass fiber and antibacterial additive; protection cover in different colours and with customized brand; box quantity according to your request; Viton gaskets, "Long life" bearings.



Compact Pillow Blocks

Technical data

Serie **UCPA/CX**



GRUB SCREWS SHAFT LOCKING

D	SERIE	CHROME STEEL BEARING												COVER CODES													
		Support CODES		DIMENSIONS (mm)										Bearing load (N)		Bearing support load		GREY RAL 7042				BLUE RAL 5015		ORANGE RAL 2004		RED RAL 3000	
		Black	White	E	A	S	G	H	B	R	W	I	Z	T	C	CO	(N)	Closed	Open	Closed	Open	Closed	Open	Closed	Open		
20	UCPA 204 CX	85610	85626	50,8	70	M8	13	33,2	65	10	28	16,2	34,2	49	12800	6600	2500	80254	80255	87259	83901	82305	82306	87540	87541		
25	UCPA 205 CX	85611	85627	50,8	75	M10	13	36,5	72	12	30	18,8	38,3	52	14000	7800	3000	80075	80076	85384	85385	82276	82277	87542	87543		

ECCENTRIC COLLAR SHAFT LOCKING

D	SERIE	CHROME STEEL BEARING												COVER CODES					
		Support CODES		DIMENSIONS (mm)										Bearing load (N)		Bearing support load		GREY RAL 7042	
		Black	White	E	A	S	G	H	B	R	W	I	Z	T	C	CO	(N)	Closed	Open
20	UCPA 204 CX	88607	88609	50,8	70	M8	13	33,2	65	10	28	16,2	39,7	56	12800	6600	2500	88371	88372
25	UCPA 205 CX	88608	88610	50,8	75	M10	13	36,5	72	12	30	18,8	42,3	58	14000	7800	3000	88373	88374

NEW

GRUB SCREWS SHAFT LOCKING

D	SERIE	STAINLESS STEEL BEARING AISI 440												COVER CODES													
		Support CODES		DIMENSIONS (mm)										Bearing load (N)		Bearing support load		GREY RAL 7042				BLUE RAL 5015		ORANGE RAL 2004		RED RAL 3000	
		Black	White	E	A	S	G	H	B	R	W	I	Z	T	C	CO	(N)	Closed	Open	Closed	Open	Closed	Open	Closed	Open		
20	UCPA 204 CX	85612	85628	50,8	70	M8	13	33,2	65	10	28	16,2	34,2	49	8300	6600	2500	80254	80255	87259	83901	82305	82306	87540	87541		
25	UCPA 205 CX	85613	85629	50,8	75	M10	13	36,5	72	12	30	18,8	38,3	52	9150	7800	3000	80075	80076	85384	85385	82276	82277	87542	87543		



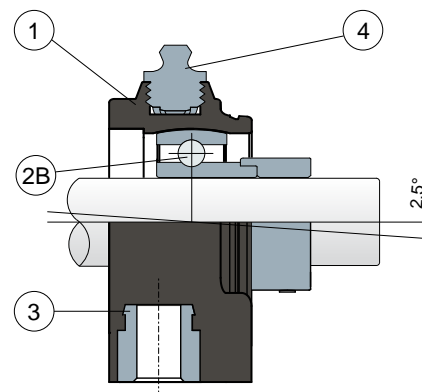
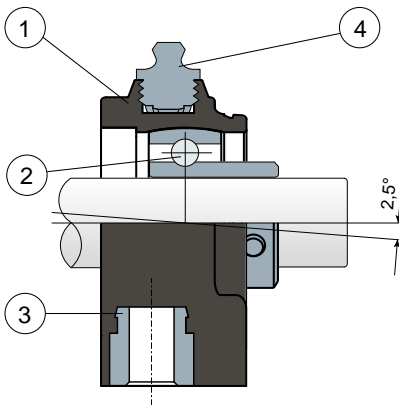
Compact Pillow Blocks

Serie **UCPA**



Grub screws shaft locking - Without cover and back gasket

Eccentric collar shaft locking - Without cover and back gasket



- 1) Housing made out of black or white colour polyamide reinforced with glass fibers.
- 2) Chrome steel or stainless steel bearing AISI 440.
- 2B) Chrome steel bearing.
- 3) Bushing made of nickel plated brass.
- 4) Greaser, straight type with 1/8 gas thread, made out of nickel-plated brass.

NOTE: The only difference from UCPA/C series is lack of back gasket and protection cover, which can be ordered separately as accessories.

Support dimensions respect ISO 3228 set of rules.

Maximum shaft alignment error 2,5°.

For further information please contact our technical office or sales department.

MATERIALS: Housing is made out of PA + glass fiber in black or white colours; bearing with grub screws shaft locking in chrome steel or stainless steel; bearing with eccentric collar shaft locking in chrome steel; greaser and bushings made out of nickel plated brass; gaskets made out of NBR rubber; cover made out of polypropylene grey Ral 7042, blue Ral 5015, orange Ral 2004 or red Ral 3000 colour.

FEATURES: The difference from UCPA/C series is lack of back gasket and protection cover, which can be ordered separately as accessories. Assembly with shouldered and not shouldered shafts. Maximum shaft alignment error 2,5°.

BOX QUANTITY: 8 pieces.

ON REQUEST: Versions with body in polypropylene + glass fiber and antibacterial additive; protection cover in different colours and with customized brand; box quantity according to your request; Viton gaskets, "Long life" bearings.



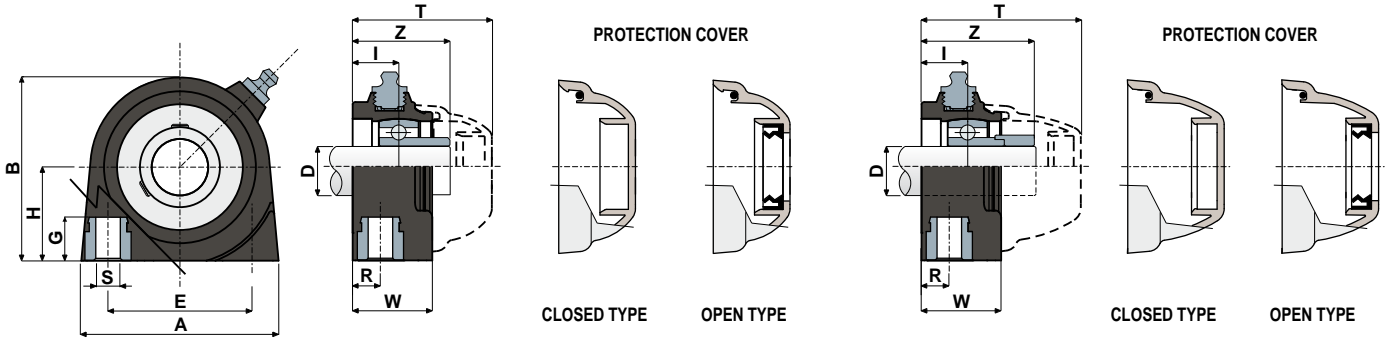
Compact Pillow Blocks

Technical data

Serie **UCPA**

GRUB SCREWS SHAFT LOCKING

ECCENTRIC COLLAR SHAFT LOCKING



GRUB SCREWS SHAFT LOCKING

D	SERIE	CHROME STEEL BEARING													COVER CODES											
		Support CODES		DIMENSIONS (mm)											Bearing load (N)		Bearing support load		GREY RAL 7042		BLUE RAL 5015		ORANGE RAL 2004		RED RAL 3000	
		Black	White	E	A	S	G	H	B	R	W	I	Z	T	C	CO	(N)	Closed	Open	Closed	Open	Closed	Open	Closed	Open	
20	UCPA 204	85614	85630	50,8	70	M8	13	33,2	65	10	28	16,2	34,2	49	12800	6600	2500	80254	80255	87259	83901	82305	82306	87540	87541	
25	UCPA 205	85615	85631	50,8	75	M10	13	36,5	72	12	30	18,8	38,3	52	14000	7800	3000	80075	80076	85384	85385	82276	82277	87542	87543	

ECCENTRIC COLLAR SHAFT LOCKING

D	SERIE	CHROME STEEL BEARING													COVER CODES					
		Support CODES		DIMENSIONS (mm)											Bearing load (N)		Bearing support load		GREY RAL 7042	
		Black	White	E	A	S	G	H	B	R	W	I	Z	T	C	CO	(N)	Closed	Open	
20	UCPA 204	88611	88613	50,8	70	M8	13	33,2	65	10	28	16,2	39,7	56	12800	6600	2500	88371	88372	
25	UCPA 205	88612	88614	50,8	75	M10	13	36,5	72	12	30	18,8	42,3	58	14000	7800	3000	88373	88374	

NEW

GRUB SCREWS SHAFT LOCKING

D	SERIE	STAINLESS STEEL BEARING AISI 440													COVER CODES											
		Support CODES		DIMENSIONS (mm)											Bearing load (N)		Bearing support load		GREY RAL 7042		BLUE RAL 5015		ORANGE RAL 2004		RED RAL 3000	
		Black	White	E	A	S	G	H	B	R	W	I	Z	T	C	CO	(N)	Closed	Open	Closed	Open	Closed	Open	Closed	Open	
20	UCPA 204	85616	85632	50,8	70	M8	13	33,2	65	10	28	16,2	34,2	49	8300	6600	2500	80254	80255	87259	83901	82305	82306	87540	87541	
25	UCPA 205	85617	85633	50,8	75	M10	13	36,5	72	12	30	18,8	38,3	52	9150	7800	3000	80075	80076	85384	85385	82276	82277	87542	87543	

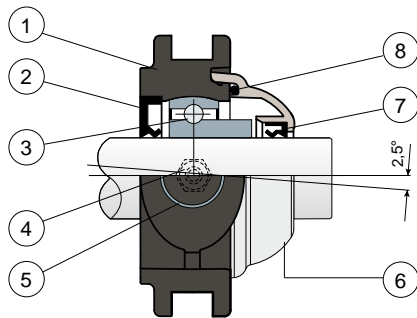


Take-up bearing supports

Serie **UCT/C**



Full protection of bearing



- 1) Housing made out of black or white colour polyamide reinforced with glass fibers.
- 2) Back gasket made out of NBR rubber for turning shaft seal.
- 3) Chrome steel or stainless steel bearing AISI 440.
- 4) Greaser, straight type with 1/8 gas thread, made out of nickel-plated brass.
- 5) Bushing made of nickel plated brass.
- 6) Protection cover made out of polypropylene (grey colour Ral 7042).
- 7) Front gasket made out of NBR rubber for turning shaft seal.
- 8) OR gasket made out of NBR rubber.

Support dimensions respect ISO 3228 set of rules.

Maximum shaft alignment error 2,5°.

For further information please contact our technical office or sales department.

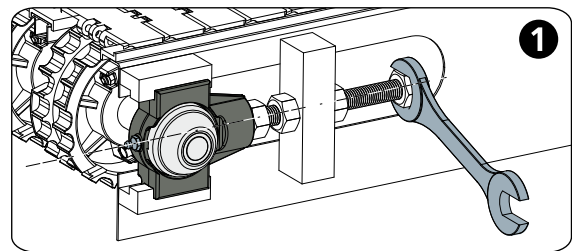
MATERIALS: Housing is made out of PA + glass fiber in black or white colours; chrome steel or stainless steel bearing; greaser and bushings made out of nickel plated brass; gaskets made out of NBR rubber; cover made out of grey RAL 7042 colour polypropylene.

FEATURES: Full protection of bearing against external agents. Assembly with not shouldered shafts. Maximum shaft alignment error 2,5°.

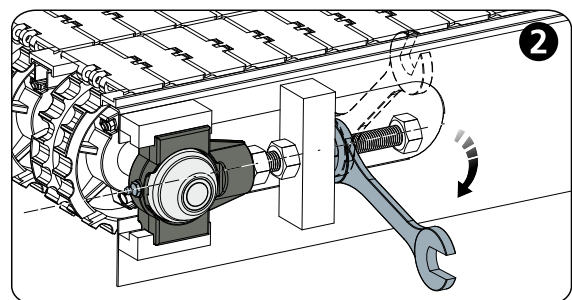
BOX QUANTITY: 8 pieces.

ON REQUEST: Versions with body in polypropylene + glass fiber and antibacterial additive; supports with eccentric collar shaft locking with chrome steel bearing; protection cover in different colours and with customized brand; box quantity according to your request; Viton gaskets, "Long life" bearings.

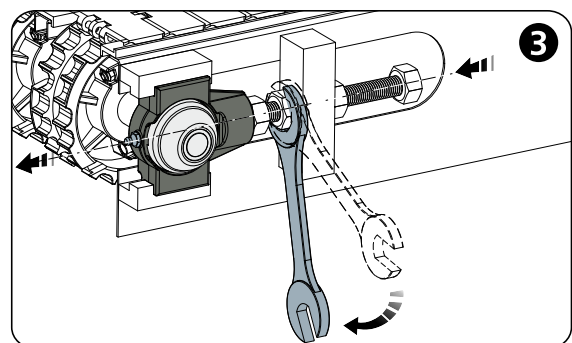
Example of application



Lock the shaft



Unscrew the lock



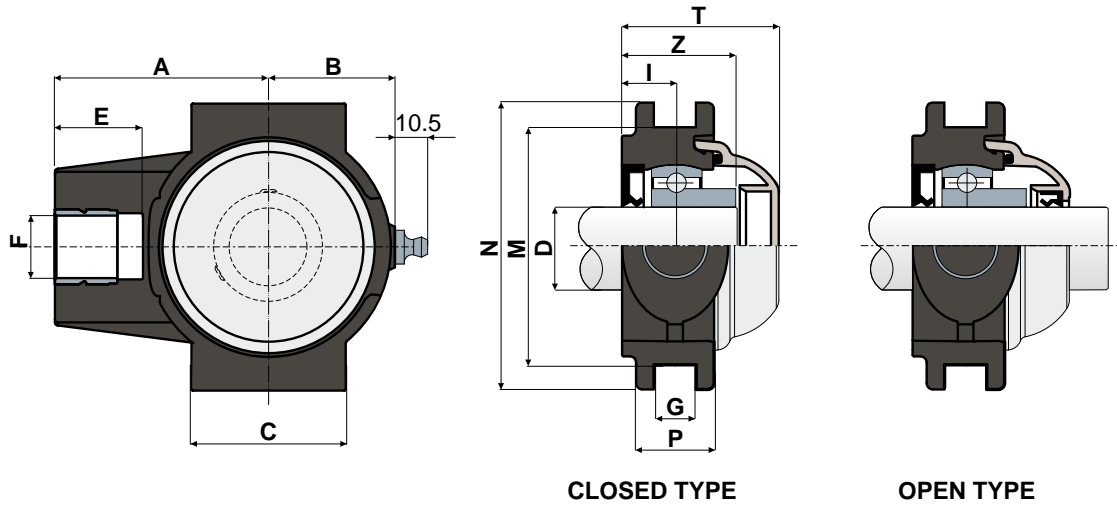
Screw to make the support advance



Take-up bearing supports

Technical data

Serie **UCT/C**



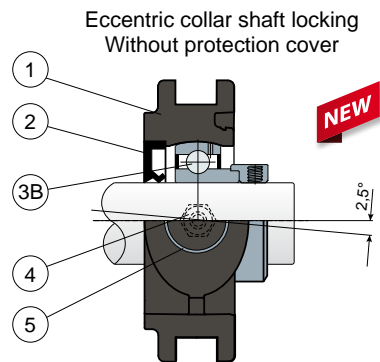
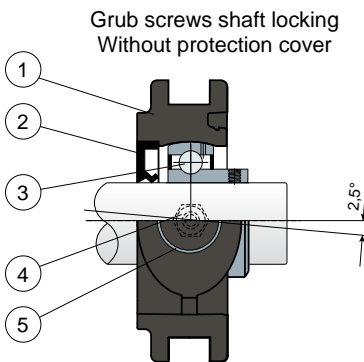
CHROME STEEL BEARING																				
D	SERIE	CODES				DIMENSIONS (mm)										Bearing load (N)		Bearing support load		
		Black		White		A	B	C	E	F	G	I	M	N	P	Z	T	C	C0	(N)
		Closed	Open	Closed	Open															
20	UCT 204 C	85672	85673	85676	85677	63,5	35	50	28	M16	13,5	17	76,2	92	25	35	50	12800	6600	16000
25	UCT 205 C	86103	86104	86105	86106	68,5	40,5	50	28	M20	13,5	17	76,2	92	25	36,5	50,2	14000	7800	24000
30	UCT 206 C	86120	86122	86124	86126	77	48	57	28	M24	13,5	18,5	89	104	28	40,5	55,7	19500	11300	27000

STAINLESS STEEL BEARING AISI 440																				
D	SERIE	CODES				DIMENSIONS (mm)										Bearing load (N)		Bearing support load		
		Black		White		A	B	C	E	F	G	I	M	N	P	Z	T	C	C0	(N)
		Closed	Open	Closed	Open															
20	UCT 204 C	85674	85675	85678	85679	63,5	35	50	28	M16	13,5	17	76,2	92	25	35	50	8300	6600	16000
25	UCT 205 C	86107	86108	86109	86110	68,5	40,5	50	28	M20	13,5	17	76,2	92	25	36,5	50,2	9150	7800	24000
30	UCT 206 C	86128	86130	86132	86134	77	48	57	28	M24	13,5	18,5	89	104	28	40,5	55,7	12500	11200	27000



Take-up bearing supports

Serie **UCT/CX**



- 1) Housing made out of black or white colour polyamide reinforced with glass fibers.
- 2) Back gasket made out of NBR rubber for turning shaft seal.
- 3) Chrome steel or stainless steel bearing AISI 440.
- 3B) Chrome steel bearing.
- 4) Greaser, straight type with 1/8 gas thread, made out of nickel-plated brass.
- 5) Bushing made of nickel plated brass.

NOTE: The only difference from UCT/C series is lack of protection cover, which can be ordered separately as an accessory.

Support dimensions respect ISO 3228 set of rules.
Maximum shaft alignment error 2,5°.
For further information please contact our technical office or sales department.

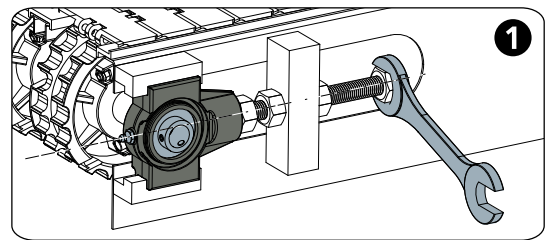
MATERIALS: Housing is made out of PA + glass fiber in black or white colours; bearing with grub screws shaft locking in chrome steel or stainless steel; bearing with eccentric collar shaft locking in chrome steel; greaser and bushings made out of nickel plated brass; gaskets made out of NBR rubber; cover made out of polypropylene grey Ral 7042, blue Ral 5015, orange Ral 2004 or red Ral 3000 colour.

FEATURES: The difference from UCT/C series is lack of protection cover which can be ordered separately as an accessory. Assembly with not shouldered shafts. Maximum shaft alignment error 2,5°.

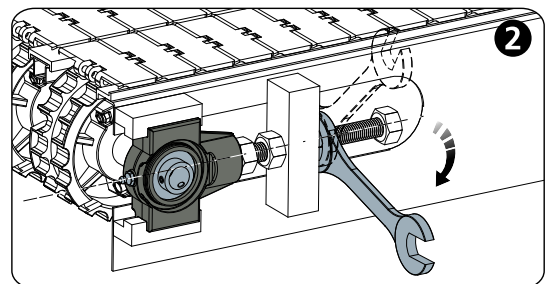
BOX QUANTITY: 8 pieces.

ON REQUEST: Versions with body in polypropylene + glass fiber and antibacterial additive; protection cover in different colours and with customized brand; box quantity according to your request; Viton gaskets, "Long life" bearings.

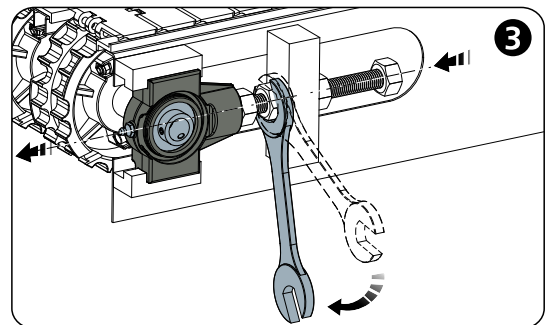
Example of application



Lock the shaft



Unscrew the lock



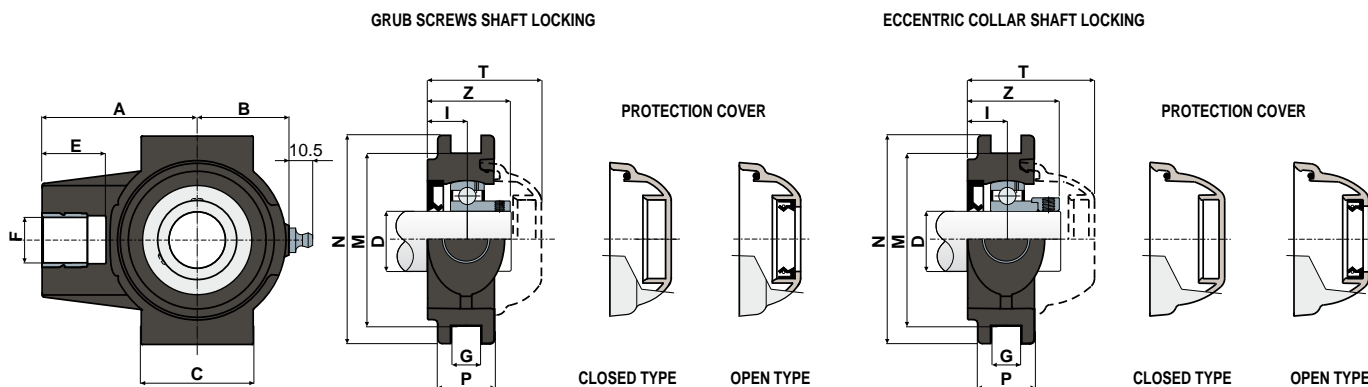
Screw to make the support advance



Take-up bearing supports

Technical data

Serie **UCT/CX**



GRUB SCREWS SHAFT LOCKING

D	SERIE	CHROME STEEL BEARING													COVER CODES											
		Support CODES		DIMENSIONS (mm)											Bearing load (N)		Bearing support load		GREY RAL 7042		BLUE RAL 5015		ORANGE RAL 2004		RED RAL 3000	
		Black	White	A	B	C	E	F	G	I	M	N	P	Z	T	C	CO	(N)	Closed	Open	Closed	Open	Closed	Open	Closed	Open
20	UCT 204 CX	85680	85682	63,5	35	50	28	M16	13,5	17	76,2	92	25	35	50	12800	6600	16000	80254	80255	87259	83901	82305	82306	87540	87541
25	UCT 205 CX	86111	86112	68,5	40,5	50	28	M20	13,5	17	76,2	92	25	36,5	50,2	14000	7800	24000	80075	80076	85384	85385	82276	82277	87542	87543
30	UCT 206 CX	86136	86138	77	48	57	28	M24	13,5	18,5	89	104	28	40,5	55,7	19500	11300	27000	80011	80053	84100	80354	82278	82279	87531	87530

ECCENTRIC COLLAR SHAFT LOCKING

D	SERIE	CHROME STEEL BEARING													COVER CODES					
		Support CODES		DIMENSIONS (mm)											Bearing load (N)		Bearing support load		GREY RAL 7042	
		Black	White	A	B	C	E	F	G	I	M	N	P	Z	T	C	CO	(N)	Closed	Open
20	UCT 204 CX	88615	88618	63,5	35	50	28	M16	13,5	17	76,2	92	25	40,5	56,7	12800	6600	16000	88371	88372
25	UCT 205 CX	88616	88619	68,5	40,5	50	28	M20	13,5	17	76,2	92	25	40,5	56	14000	7800	24000	88373	88374
30	UCT 206 CX	88617	88620	77	48	57	28	M24	13,5	18,5	89	104	28	45,2	62	19500	11300	27000	88375	88376

NEW

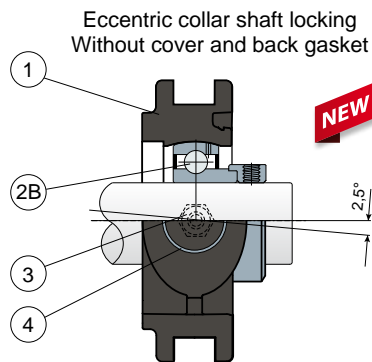
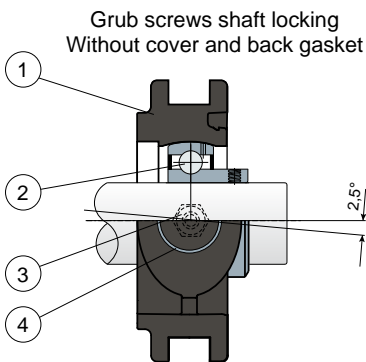
GRUB SCREWS SHAFT LOCKING

D	SERIE	STAINLESS STEEL BEARING AISI 440													COVER CODES											
		Support CODES		DIMENSIONS (mm)											Bearing load (N)		Bearing support load		GREY RAL 7042		BLUE RAL 5015		ORANGE RAL 2004		RED RAL 3000	
		Black	White	A	B	C	E	F	G	I	M	N	P	Z	T	C	CO	(N)	Closed	Open	Closed	Open	Closed	Open	Closed	Open
20	UCT 204 CX	85681	85683	63,5	35	50	28	M16	13,5	17	76,2	92	25	35	50	8300	6600	16000	80254	80255	87259	83901	82305	82306	87540	87541
25	UCT 205 CX	86113	86114	68,5	40,5	50	28	M20	13,5	17	76,2	92	25	36,5	50,2	9150	7800	24000	80075	80076	85384	85385	82276	82277	87542	87543
30	UCT 206 CX	86140	86142	77	48	57	28	M24	13,5	18,5	89	104	28	40,5	55,7	12500	11200	27000	80011	80053	84100	80354	82278	82279	87531	87530



Take-up bearing supports

Serie **UCT**



- 1) Housing made out of black or white colour polyamide reinforced with glass fibers.
- 2) Chrome steel or stainless steel bearing AISI 440.
- 2B) Chrome steel bearing.
- 3) Greaser, straight type with 1/8 gas thread, made out of nickel-plated brass.
- 4) Bushing made of nickel plated brass.

NOTE: The only difference from UCT/C series is lack of back gasket and protection cover, which can be ordered separately as accessories.

Support dimensions respect ISO 3228 set of rules.
Maximum shaft alignment error 2,5°.

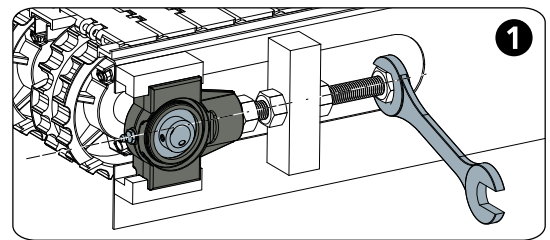
For further information please contact our technical office or sales department.

MATERIALS: Housing is made out of PA + glass fiber in black or white colours; bearing with grub screws shaft locking in chrome steel or stainless steel; bearing with eccentric collar shaft locking in chrome steel; greaser and bushings made out of nickel plated brass; gaskets made out of NBR rubber; cover made out of polypropylene grey Ral 7042, blue Ral 5015, orange Ral 2004 or red Ral 3000 colour.
FEATURES: The difference from UCT/C series is lack of back gasket and protection cover, which can be ordered separately as accessories. Assembly with shouldered and not shouldered shafts. Maximum shaft alignment error 2,5°.

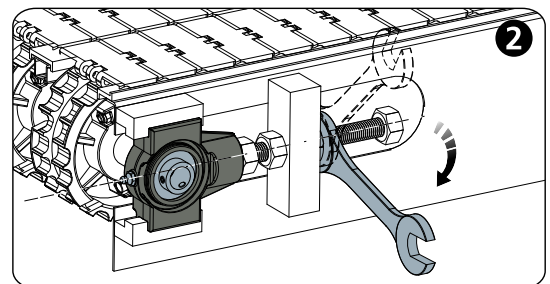
BOX QUANTITY: 8 pieces.

ON REQUEST: Versions with body in polypropylene + glass fiber and antibacterial additive; protection cover in different colours and with customized brand; box quantity according to your request; Viton gaskets, "Long life" bearings.

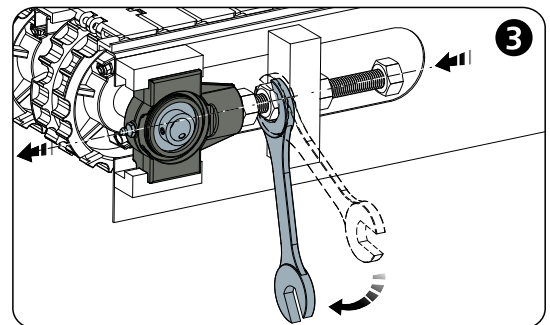
Example of application



Lock the shaft



Unscrew the lock



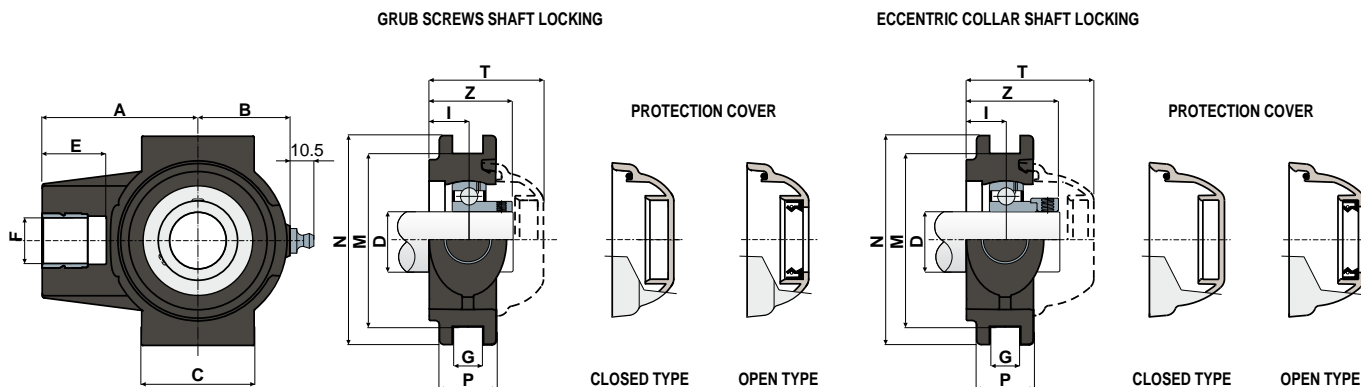
Screw to make the support advance



Take-up bearing supports

Technical data

Serie **UCT**



GRUB SCREWS SHAFT LOCKING

D	SERIE	CHROME STEEL BEARING													COVER CODES											
		Support CODES		DIMENSIONS (mm)											Bearing load (N)		Bearing support load		GREY RAL 7042		BLUE RAL 5015		ORANGE RAL 2004		RED RAL 3000	
		Black	White	A	B	C	E	F	G	I	M	N	P	Z	T	C	CO	(N)	Closed	Open	Closed	Open	Closed	Open	Closed	Open
20	UCT 204	85684	85686	63,5	35	50	28	M16	13,5	17	76,2	92	25	35	50	12800	6600	16000	80254	80255	87259	83901	82305	82306	87540	87541
25	UCT 205	86115	86116	68,5	40,5	50	28	M20	13,5	17	76,2	92	25	36,5	50,2	14000	7800	24000	80075	80076	85384	85385	82276	82277	87542	87543
30	UCT 206	86144	86146	77	48	57	28	M24	13,5	18,5	89	104	28	40,5	55,7	19500	11300	27000	80011	80053	84100	80354	82278	82279	87531	87530

ECCENTRIC COLLAR SHAFT LOCKING

D	SERIE	CHROME STEEL BEARING													COVER CODES					
		Support CODES		DIMENSIONS (mm)											Bearing load (N)		Bearing support load		GREY RAL 7042	
		Black	White	A	B	C	E	F	G	I	M	N	P	Z	T	C	CO	(N)	Closed	Open
20	UCT 204	88621	88624	63,5	35	50	28	M16	13,5	17	76,2	92	25	40,5	56,7	12800	6600	16000	88371	88372
25	UCT 205	88622	88625	68,5	40,5	50	28	M20	13,5	17	76,2	92	25	40,5	56	14000	7800	24000	88373	88374
30	UCT 206	88623	88626	77	48	57	28	M24	13,5	18,5	89	104	28	45,2	62	19500	11300	27000	88375	88376

NEW

GRUB SCREWS SHAFT LOCKING

D	SERIE	STAINLESS STEEL BEARING AISI 440													COVER CODES											
		Support CODES		DIMENSIONS (mm)											Bearing load (N)		Bearing support load		GREY RAL 7042		BLUE RAL 5015		ORANGE RAL 2004		RED RAL 3000	
		Black	White	A	B	C	E	F	G	I	M	N	P	Z	T	C	CO	(N)	Closed	Open	Closed	Open	Closed	Open	Closed	Open
20	UCT 204	85685	85687	63,5	35	50	28	M16	13,5	17	76,2	92	25	35	50	8300	6600	16000	80254	80255	87259	83901	82305	82306	87540	87541
25	UCT 205	86117	86118	68,5	40,5	50	28	M20	13,5	17	76,2	92	25	36,5	50,2	9150	7800	24000	80075	80076	85384	85385	82276	82277	87542	87543
30	UCT 206	86148	86150	77	48	57	28	M24	13,5	18,5	89	104	28	40,5	55,7	12500	11200	27000	80011	80053	84100	80354	82278	82279	87531	87530



Round flanged bearing supports

Serie **UCFC/C**



On request covers in polypropylene blue Ral 5015 colour.

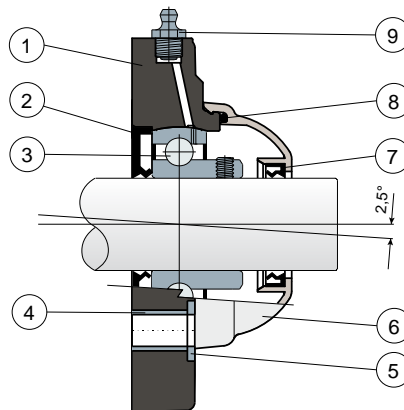


On request covers in polypropylene orange Ral 2004 colour.



On request covers in polypropylene red Ral 3000 colour.

Full protection of bearing



- 1) Housing made out of black or white colour polyamide reinforced with glass fibers.
- 2) Back gasket made out of NBR rubber for turning shaft seal.
- 3) Chrome steel or stainless steel bearing AISI 440.
- 4) Spacer for fixing reinforcement made out of stainless steel AISI 304.
- 5) UNI 6592 support washer made out of stainless steel AISI 304.
- 6) Protection cover made out of polypropylene (grey colour Ral 7042).
- 7) Front gasket made out of NBR rubber for turning shaft seal.
- 8) OR gasket made out of NBR rubber.
- 9) Greaser, straight type with 1/8 gas thread, made out of nickel-plated brass.

Support dimensions respect ISO 3228 set of rules.

Maximum shaft alignment error 2,5°.

For further information please contact our technical office or sales department.

MATERIALS: Housing is made out of PA + glass fiber in black or white colours; chrome steel or stainless steel bearing; greaser made out of nickel plated brass; reinforcement bushings and washers made out of stainless steel AISI 304; gaskets made out of NBR rubber; cover made out of grey RAL 7042 colour polypropylene.

FEATURES: Full protection of bearing against external agents. Assembly with not shouldered shafts. Maximum shaft alignment error 2,5°.

BOX QUANTITY: 8 pieces.

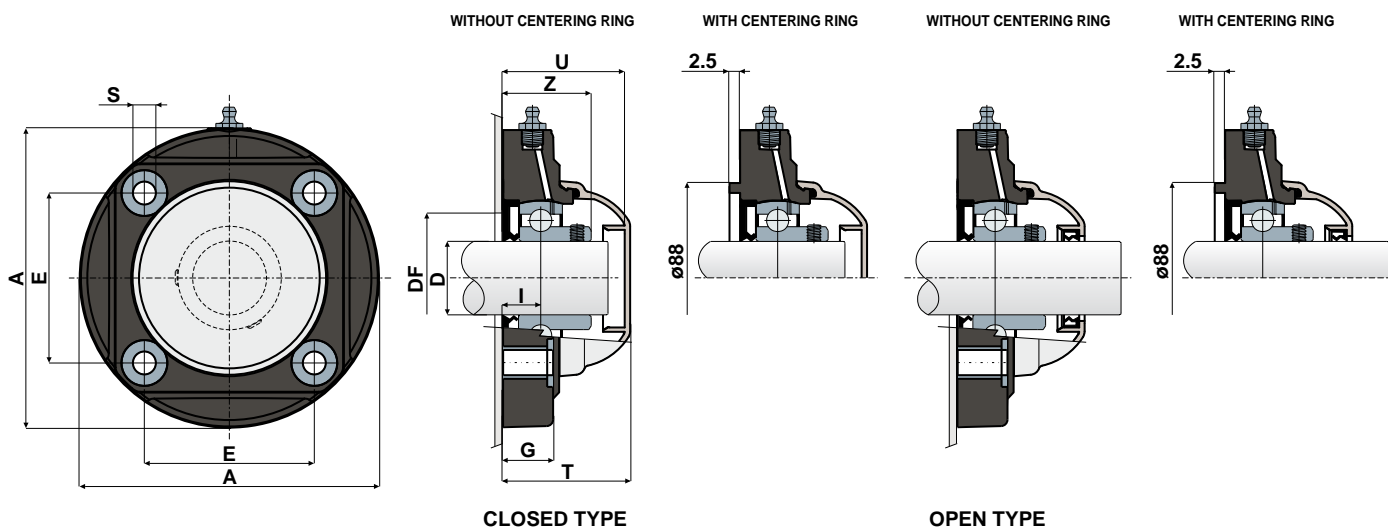
ON REQUEST: Versions with body in polypropylene + glass fiber and antibacterial additive; supports with eccentric collar shaft locking with chrome steel bearing; protection cover in different colours and with customized brand; box quantity according to your request; Viton gaskets, "Long life" bearings.



Round flanged bearing supports

Technical data

Serie **UCFC/C**



FLANGE WITHOUT CENTERING RING

CHROME STEEL BEARING																		
D	SERIE	CODES				DIMENSIONS (mm)										Bearing load (N)		Bearing support load
		Black		White		E	A	S	G	I	Z	U	T	DF		C	CO	(N)
		Closed	Open	Closed	Open									Max	Min			
35	UCFC 207 C	85647	85649	85655	85657	77,8	137	10,5	26	17	40,8	56	58	70	55	25500	15300	19550

STAINLESS STEEL BEARING AISI 440																		
D	SERIE	CODES				DIMENSIONS (mm)										Bearing load (N)		Bearing support load
		Black		White		E	A	S	G	I	Z	U	T	DF		C	CO	(N)
		Closed	Open	Closed	Open									Max	Min			
35	UCFC 207 C	85651	85653	85659	85661	77,8	137	10,5	26	17	40,8	56	58	70	55	16600	15300	19550

FLANGE WITH CENTERING RING

CHROME STEEL BEARING																		
D	SERIE	CODES				DIMENSIONS (mm)										Bearing load (N)		Bearing support load
		Black		White		E	A	S	G	I	Z	U	T	DF		C	CO	(N)
		Closed	Open	Closed	Open									Max	Min			
35	UCFC 207 C	86029	86025	86031	86027	77,8	137	10,5	26	17	40,8	56	58	-	-	25500	15300	19550

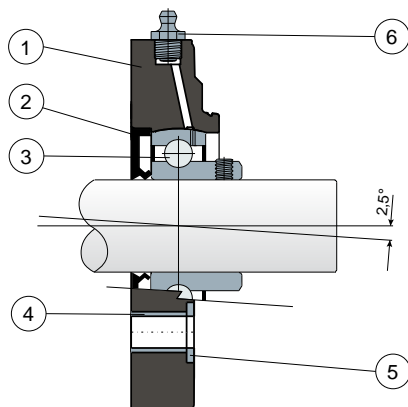
STAINLESS STEEL BEARING AISI 440																		
D	SERIE	CODES				DIMENSIONS (mm)										Bearing load (N)		Bearing support load
		Black		White		E	A	S	G	I	Z	U	T	DF		C	CO	(N)
		Closed	Open	Closed	Open									Max	Min			
35	UCFC 207 C	86030	86026	86032	86028	77,8	137	10,5	26	17	40,8	56	58	-	-	16600	15300	19550

Round flanged bearing supports

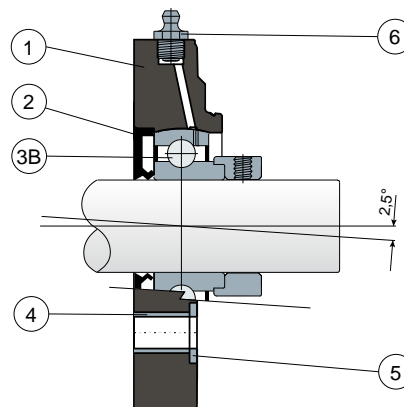
Serie **UCFC/CX**



Grub screws shaft locking - Without protection cover



Eccentric collar shaft locking - Without protection cover



NEW

- 1) Housing made out of black or white colour polyamide reinforced with glass fibers.
- 2) Back gasket made out of NBR rubber for turning shaft seal.
- 3) Chrome steel or stainless steel bearing AISI 440.
- 3B) Chrome steel bearing.
- 4) Spacer for fixing reinforcement made out of stainless steel AISI 304.
- 5) UNI 6592 support washer made out of stainless steel AISI 304.
- 6) Greaser, straight type with 1/8 gas thread, made out of nickel-plated brass.

NOTE: The only difference from UCFC/C series is lack of protection cover, which can be ordered separately as an accessory.

Support dimensions respect ISO 3228 set of rules.

Maximum shaft alignment error 2,5°.

For further information please contact our technical office or sales department.

MATERIALS: Housing is made out of PA + glass fiber in black or white colours; bearing with grub screws shaft locking in chrome steel or stainless steel; bearing with eccentric collar shaft locking in chrome steel; greaser made out of nickel plated brass; reinforcement bushings and washers made out of stainless steel AISI 304; gaskets made out of NBR rubber; cover made out of polypropylene grey Ral 7042, blue Ral 5015, orange Ral 2004 or red Ral 3000 colour.

FEATURES: The difference from UCFC/C series is lack of protection cover which can be ordered separately as an accessory. Assembly with not shouldered shafts. Maximum shaft alignment error 2,5°.

BOX QUANTITY: 8 pieces.

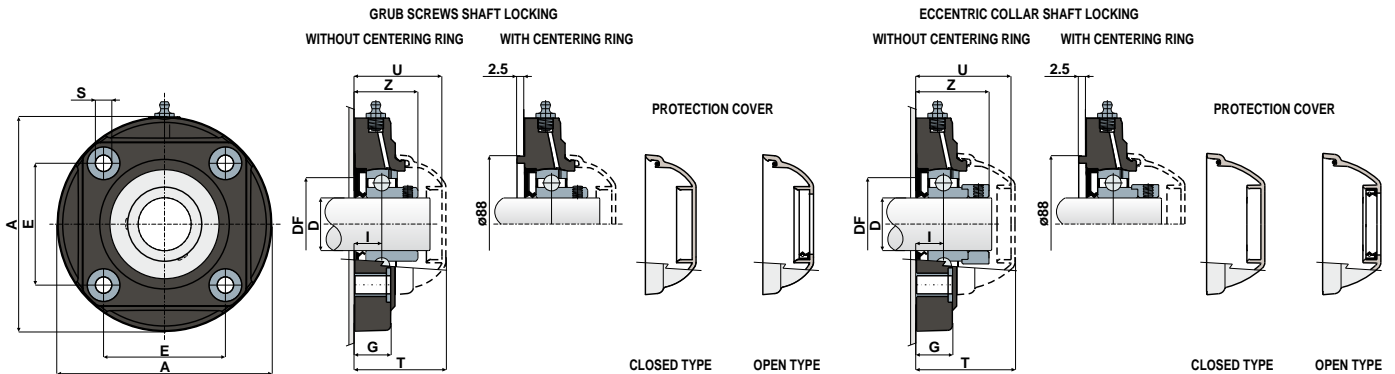
ON REQUEST: Versions with body in polypropylene + glass fiber and antibacterial additive; protection cover in different colours and with customized brand; box quantity according to your request; Viton gaskets, "Long life" bearings.



Round flanged bearing supports

Technical data

Serie **UCFC/CX**



GRUB SCREWS SHAFT LOCKING - FLANGE WITHOUT CENTERING RING

CHROME STEEL BEARING													COVER CODES											
D	SERIE	Support CODES		DIMENSIONS (mm)										Bearing load (N)	Bearing support load	GREY RAL 7042		BLUE RAL 5015		ORANGE RAL 2004		RED RAL 3000		
		Black	White	E	A	S	G	I	Z	U	T	DF				C	CO	(N)	Closed	Open	Closed	Open	Closed	Open
35	UCFC 207 CX	85663	85666	77,8	137	10,5	26	17	40,8	56	58	70	55	25500	15300	19550	80077	80078	80969	80275	82284	82285	87544	87545

STAINLESS STEEL BEARING AISI 440													COVER CODES											
D	SERIE	Support CODES		DIMENSIONS (mm)										Bearing load (N)	Bearing support load	GREY RAL 7042		BLUE RAL 5015		ORANGE RAL 2004		RED RAL 3000		
		Black	White	E	A	S	G	I	Z	U	T	DF				C	CO	(N)	Closed	Open	Closed	Open	Closed	Open
35	UCFC 207 CX	85665	85667	77,8	137	10,5	26	17	40,8	56	58	70	55	16600	15300	19550	80077	80078	80969	80275	82284	82285	87544	87545

GRUB SCREWS SHAFT LOCKING - FLANGE WITH CENTERING RING

CHROME STEEL BEARING													COVER CODES											
D	SERIE	Support CODES		DIMENSIONS (mm)										Bearing load (N)	Bearing support load	GREY RAL 7042		BLUE RAL 5015		ORANGE RAL 2004		RED RAL 3000		
		Black	White	E	A	S	G	I	Z	U	T	DF				C	CO	(N)	Closed	Open	Closed	Open	Closed	Open
35	UCFC 207 CX	86033	86035	77,8	137	10,5	26	17	40,8	56	58	-	-	25500	15300	19550	80077	80078	80969	80275	82284	82285	87544	87545

STAINLESS STEEL BEARING AISI 440													COVER CODES											
D	SERIE	Support CODES		DIMENSIONS (mm)										Bearing load (N)	Bearing support load	GREY RAL 7042		BLUE RAL 5015		ORANGE RAL 2004		RED RAL 3000		
		Black	White	E	A	S	G	I	Z	U	T	DF				C	CO	(N)	Closed	Open	Closed	Open	Closed	Open
35	UCFC 207 CX	86034	86036	77,8	137	10,5	26	17	40,8	56	58	-	-	16600	15300	19550	80077	80078	80969	80275	82284	82285	87544	87545

ECCENTRIC COLLAR SHAFT LOCKING - FLANGE WITHOUT CENTERING RING

CHROME STEEL BEARING													COVER CODES					
D	SERIE	Support CODES		DIMENSIONS (mm)										Bearing load (N)	Bearing support load	GREY RAL 7042		
		Black	White	E	A	S	G	I	Z	U	T	DF				C	CO	(N)
35	UCFC 207 CX	88706	88707	77,8	137	10,5	26	17	46,7	60,8	63,3	70	55	25500	15300	19550	88377	88378

NEW

ECCENTRIC COLLAR SHAFT LOCKING - FLANGE WITH CENTERING RING

CHROME STEEL BEARING													COVER CODES					
D	SERIE	Support CODES		DIMENSIONS (mm)										Bearing load (N)	Bearing support load	GREY RAL 7042		
		Black	White	E	A	S	G	I	Z	U	T	DF				C	CO	(N)
35	UCFC 207 CX	88708	88709	77,8	137	10,5	26	17	46,7	60,8	63,3	-	-	25500	15300	19550	88377	88378

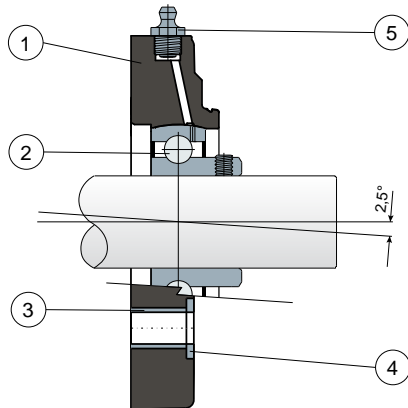
NEW

Round flanged bearing supports

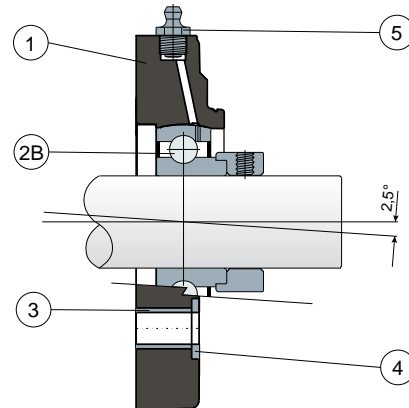
Serie **UCFC**



Grub screws shaft locking - Without cover and back gasket



Eccentric collar shaft locking - Without cover and back gasket



NEW

- 1) Housing made out of black or white colour polyamide reinforced with glass fibers.
- 2) Chrome steel or stainless steel bearing AISI 440.
- 2B) Chrome steel bearing.
- 3) Spacer for fixing reinforcement made out of stainless steel AISI 304.
- 4) UNI 6592 support washer made out of stainless steel AISI 304.
- 5) Greaser, straight type with 1/8 gas thread, made out of nickel-plated brass.

NOTE: The only difference from UCFC/C series is lack of back gasket and protection cover, which can be ordered separately as accessories.

Support dimensions respect ISO 3228 set of rules.

Maximum shaft alignment error 2,5°.

For further information please contact our technical office or sales department.

MATERIALS: Housing is made out of PA + glass fiber in black or white colours; bearing with grub screws shaft locking in chrome steel or stainless steel; bearing with eccentric collar shaft locking in chrome steel; greaser made out of nickel plated brass; reinforcement bushings and washers made out of stainless steel AISI 304; gaskets made out of NBR rubber; cover made out of polypropylene grey Ral 7042, blue Ral 5015, orange Ral 2004 or red Ral 3000 colour.

FEATURES: The difference from UCFC/C series is lack of back gasket and protection cover, which can be ordered separately as accessories. Assembly with shouldered and not shouldered shafts. Maximum shaft alignment error 2,5°.

BOX QUANTITY: 8 pieces.

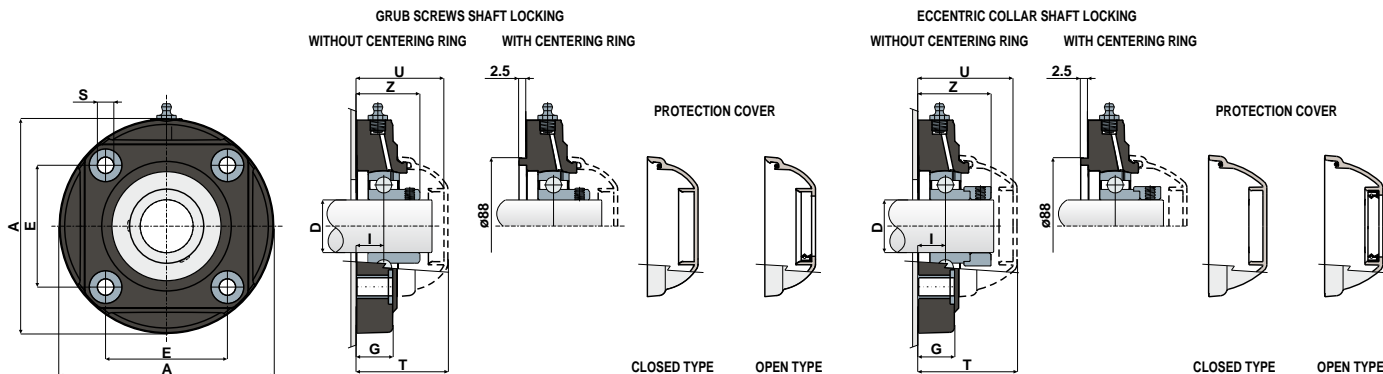
ON REQUEST: Versions with body in polypropylene + glass fiber and antibacterial additive; protection cover in different colours and with customized brand; box quantity according to your request; Viton gaskets, "Long life" bearings.



Round flanged bearing supports

Technical data

Serie **UCFC**



GRUB SCREWS SHAFT LOCKING - FLANGE WITHOUT CENTERING RING

CHROME STEEL BEARING													COVER CODES											
D	SERIE	Support CODES		DIMENSIONS (mm)									Bearing load (N)		Bearing support load		GREY RAL 7042		BLUE RAL 5015		ORANGE RAL 2004		RED RAL 3000	
		Black	White	E	A	S	G	I	Z	U	T	C	CO	(N)	Closed	Open	Closed	Open	Closed	Open	Closed	Open		
35	UCFC 207	85668	85670	77,8	137	10,5	26	17	40,8	56	58	25500	15300	19550	80077	80078	80969	80275	82284	82285	87544	87545		

STAINLESS STEEL BEARING AISI 440													COVER CODES											
D	SERIE	Support CODES		DIMENSIONS (mm)									Bearing load (N)		Bearing support load		GREY RAL 7042		BLUE RAL 5015		ORANGE RAL 2004		RED RAL 3000	
		Black	White	E	A	S	G	I	Z	U	T	C	CO	(N)	Closed	Open	Closed	Open	Closed	Open	Closed	Open		
35	UCFC 207	85669	85671	77,8	137	10,5	26	17	40,8	56	58	16600	15300	19550	80077	80078	80969	80275	82284	82285	87544	87545		

GRUB SCREWS SHAFT LOCKING - FLANGE WITH CENTERING RING

CHROME STEEL BEARING													COVER CODES											
D	SERIE	Support CODES		DIMENSIONS (mm)									Bearing load (N)		Bearing support load		GREY RAL 7042		BLUE RAL 5015		ORANGE RAL 2004		RED RAL 3000	
		Black	White	E	A	S	G	I	Z	U	T	C	CO	(N)	Closed	Open	Closed	Open	Closed	Open	Closed	Open		
35	UCFC 207	86021	86023	77,8	137	10,5	26	17	40,8	56	58	25500	15300	19550	80077	80078	80969	80275	82284	82285	87544	87545		

STAINLESS STEEL BEARING AISI 440													COVER CODES											
D	SERIE	Support CODES		DIMENSIONS (mm)									Bearing load (N)		Bearing support load		GREY RAL 7042		BLUE RAL 5015		ORANGE RAL 2004		RED RAL 3000	
		Black	White	E	A	S	G	I	Z	U	T	C	CO	(N)	Closed	Open	Closed	Open	Closed	Open	Closed	Open		
35	UCFC 207	86022	86024	77,8	137	10,5	26	17	40,8	56	58	16600	15300	19550	80077	80078	80969	80275	82284	82285	87544	87545		

ECCENTRIC COLLAR SHAFT LOCKING - FLANGE WITHOUT CENTERING RING

CHROME STEEL BEARING													COVER CODES					
D	SERIE	Support CODES		DIMENSIONS (mm)									Bearing load (N)		Bearing support load		GREY RAL 7042	
		Black	White	E	A	S	G	I	Z	U	T	C	CO	(N)	Closed	Open		
35	UCFC 207	88710	88711	77,8	137	10,5	26	17	46,7	60,8	63,3	25500	15300	19550	88377	88378		

NEW

ECCENTRIC COLLAR SHAFT LOCKING - FLANGE WITH CENTERING RING

CHROME STEEL BEARING													COVER CODES					
D	SERIE	Support CODES		DIMENSIONS (mm)									Bearing load (N)		Bearing support load		GREY RAL 7042	
		Black	White	E	A	S	G	I	Z	U	T	C	CO	(N)	Closed	Open		
35	UCFC 207	88712	88713	77,8	137	10,5	26	17	46,7	60,8	63,3	25500	15300	19550	88377	88378		

NEW