

Questionnaire: Uhing Rolling Ring Drives • Drive Technology

Answer as detailed as possible and return to the following e-mail address: I.dosselaere@caldic-technik.com

Sender

Name _____

Company _____

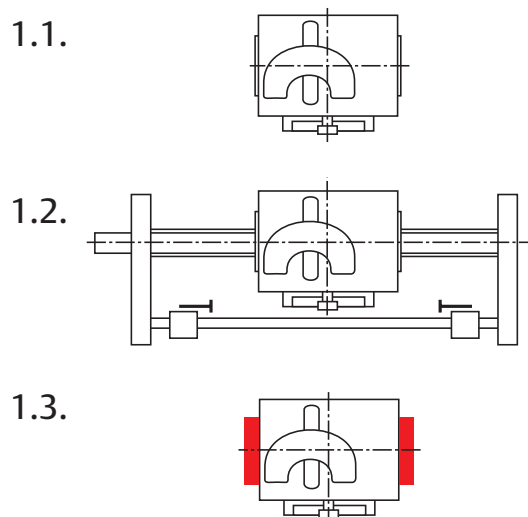
Phone _____

E-mail _____

Type of application:

1. Desired scope of delivery

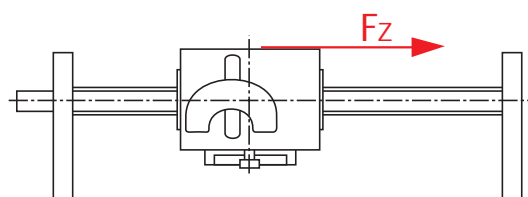
- 1.1. Rolling ring drive
- 1.2. Rolling ring drive assembly
- 1.3. Additional dust protection
- 1.4. Enhanced corrosion protection
- 1.5. Rolling ring drive shaft rotates:
 - Counter-clockwise
 - Clockwise
 - Both directions



Customer-specific automation upon separate request!

2. Parameters

2.1. Add. force $F_z =$ _____ [N]

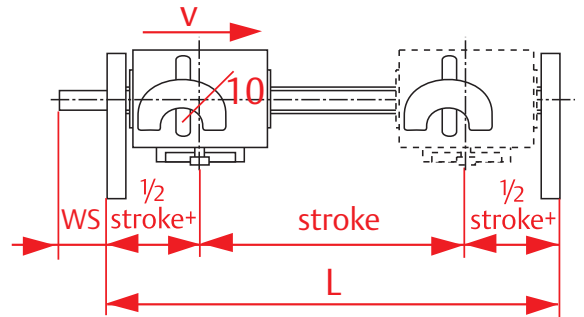


2.2. Max. stroke length Stroke = _____ [mm]

(Stroke + dimension is required due to construction and is added to the required working stroke)

Alternative: length of support brackets outer edges

L = _____ [mm]

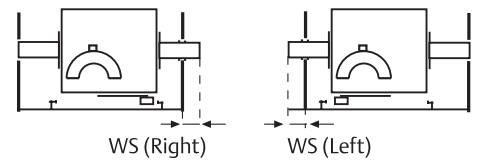


2.3. Traversing speed v = _____ [m/s]

2.4. Shaft extension:

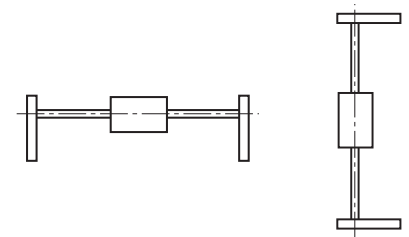
2.4.1 Shaft extension side Right Left

2.4.2 Shaft extension length WS = _____ [mm]



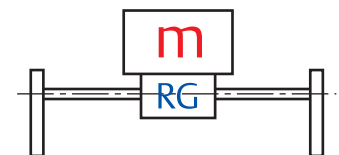
2.5. Installation position

- Horizontal
- Vertical
- If applicable, angle to the horizontal _____ [°]



2.6. What is the entire mass (except RG) to be moved linearly?

m = _____ [kg]



2.7. Has the mass a separate load carriage?

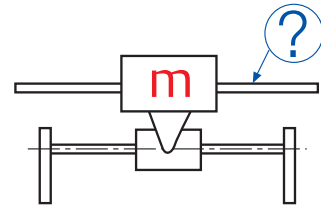
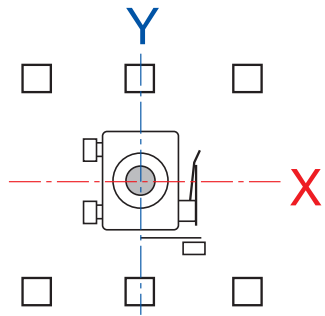
No

Distance of the centre of gravity of the mass from the shaft middle in direction

X = _____ [mm]

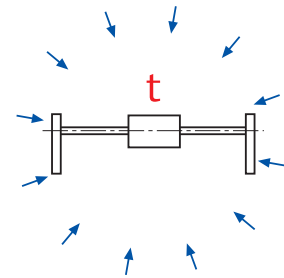
Y = _____ [mm]

Yes, sleeve bearings
 roller bearings



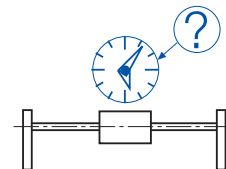
2.8. Ambient temperature

t = _____ [°C]



2.9. Average operation/day

= _____ [h]



3. Additional parameters

3.1. What special regulations must be heeded?

Complete following items only if non-standard:

3.2. Traversing speed control

- 3.2.1. Standard: both traversing directions identical via scale on rolling ring drive
- 3.2.2. Infinitely remote adjustable from a support bracket
- 3.2.3. Manually with setscrews for different traversing speeds

3.3. Traversing width control

- 3.3.1. Standard: manually with end stops
 - 3.3.2. With manual remote adjustment from a support bracket
-

3.4. Reversal

- 3.4.1. Standard reversal occurs mechanically
 - 3.4.2. Pneumatic
 - 3.4.3. Delay via cam
 - 3.4.4. Delay via control lever
-

3.5. If delay

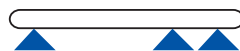
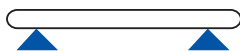
- 3.5.1. Delay during stroke
 - 3.5.2. Delay outside stroke
-

3.6. Drive standstill while shaft rotates?

If yes, for how long and how often:

3.7. Shaft bearing specified?

- single- single
- single - double
- double - double



3.8 Other information:
