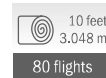
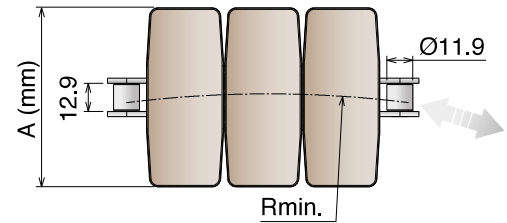
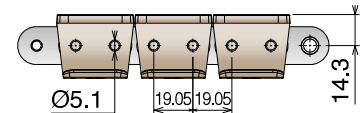
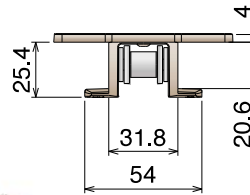


1873 Catena curvilinea Sideflexing chain / Kurvengängige Plattenbandkette

Delivery: **Easy** **Standard**

The stainless steel version is supplied with LONG-LIFE SS roller chain. | Backflex radius min.: 210 mm



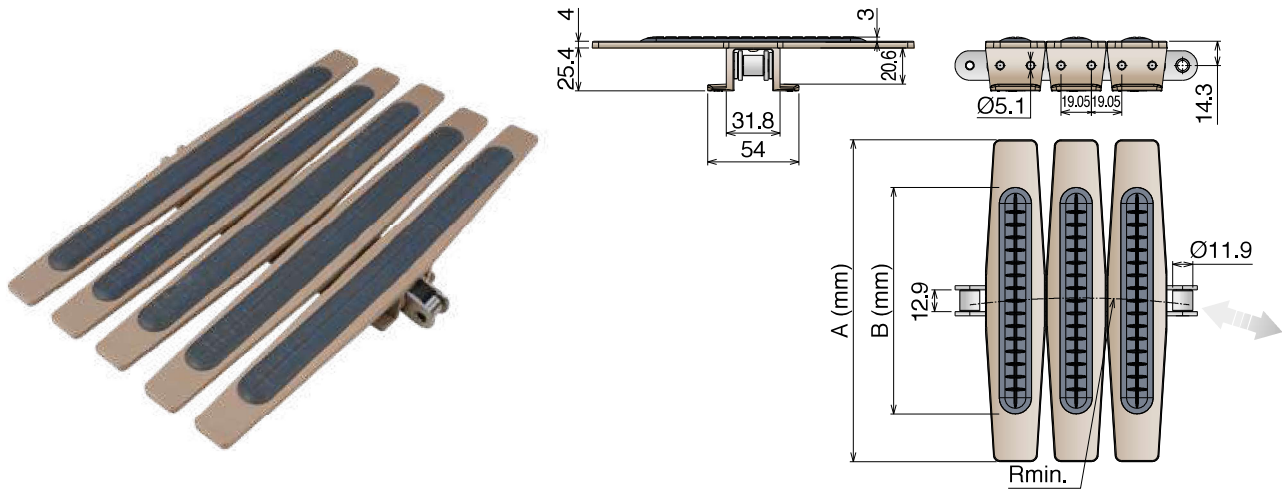
TAB SYSTEM

Standard length roller chain: 160 Pitches

Article-Nr.	Chain	Ref.	A (Plate Width) mm	R mm	Weight kg/m	Max working load N	Backflex radius min. mm	Material
11590102	C45	LF 1873 TAB K325	82,5	355	2,10	4500	180	LF
11600102	Stainless Steel		82,5	355	2,10	3500		
11590105	C45	LF 1873 TAB K450	114,3	355	2,30	4500		
11600105	Stainless Steel		114,3	355	2,30	3500		
11590106	C45	LF 1873 TAB K600	152,4	457	2,40	4500		
11600106	Stainless Steel		152,4	457	2,40	3500		
11590107	C45	LF 1873 TAB K750	190,5	457	2,60	4500		
11600107	Stainless Steel		190,5	457	2,60	3500		
11590108	C45	LF 1873 TAB K1000	254,0	457	2,80	4500		
11600108	Stainless Steel		254,0	457	2,80	3500		
11590109	C45	LF 1873 TAB K1200	304,8	457	3,00	4500		
11600109	Stainless Steel		304,8	457	3,00	3500		
11590302	C45	MX 1873 TAB K325	82,5	355	2,10	4500	180	MX
11600302	Stainless Steel		82,5	355	2,10	3500		
11590305	C45	MX 1873 TAB K450	114,3	355	2,30	4500		
11600305	Stainless Steel		114,3	355	2,30	3500		
11590306	C45	MX 1873 TAB K600	152,4	457	2,40	4500		
11600306	Stainless Steel		152,4	457	2,40	3500		
11590307	C45	MX 1873 TAB K750	190,5	457	2,60	4500		
11600307	Stainless Steel		190,5	457	2,60	3500		
11590308	C45	MX 1873 TAB K1000	254,0	457	2,80	4500		
11600308	Stainless Steel		254,0	457	2,80	3500		
11590309	C45	MX 1873 TAB K1200	304,8	457	3,00	4500		
11600309	Stainless Steel		304,8	457	3,00	3500		

1873 GT Catena curvilinea Sideflexing chain / Kurvengängige Plattenbandkette

Delivery: **Easy** **Standard** *The stainless steel version is supplied with LONG-LIFE SS roller chain.* | TPE Rubber: 75 ShA | Backflex radius min.: 210 mm



Standard lenght roller chain: 160 Pitches

TAB SYSTEM

10 feet
3.048 m
80 flights

SPROCKET
ASA 60
Standard on market

pg. 167/176

pg. 651->661

Article-Nr.	Chain	Ref.	A (Plate Width) mm	B (Rubber Width) mm	Weight kg/m	Max working load N	Sideflex radius min, mm	Material
11610107	C45	LF 1873 GT TAB K750	190,5	134,0	2,60	4500	457	LF
11620107	Stainless Steel		190,5	134,0	2,60	3500		
11610108	C45	LF 1873 GT TAB K1000	254,0	192,0	2,80	4500		
11620108	Stainless Steel		254,0	192,0	2,80	3500		
11610109	C45	LF 1873 GT TAB K1200	304,8	252,0	3,00	4500		
11620109	Stainless Steel		304,8	252,0	3,00	3500		

1873 GRIPPER GS1

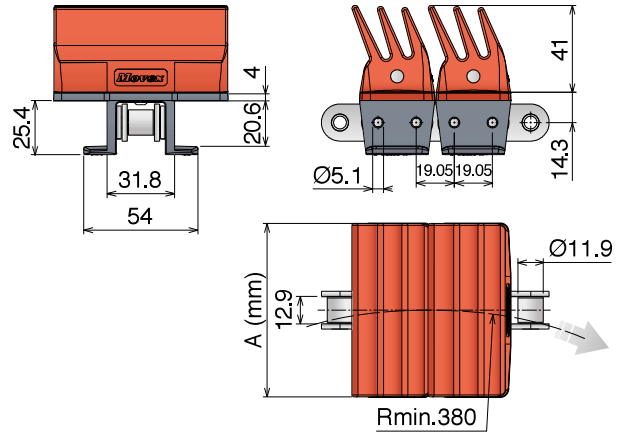
Catene in plastica / Plastic chains / Kunststoffkette

1873 GRIPPER GS1

Catena curvilinea
Sideflexing chain / Kurvengängige Plattenbandkette

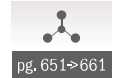
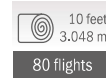
Delivery: **Easy** **Standard**

The stainless steel version is supplied with LONG-LIFE SS roller chain. | Backflex radius min.: 150 mm



Standard length roller chain: 160 Pitches

TAB SYSTEM



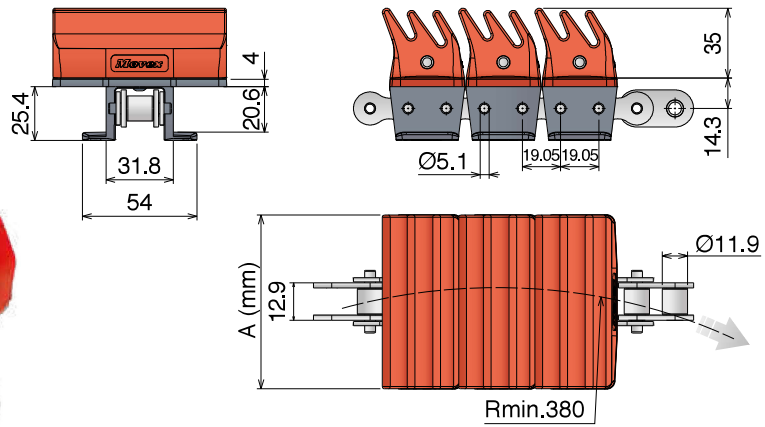
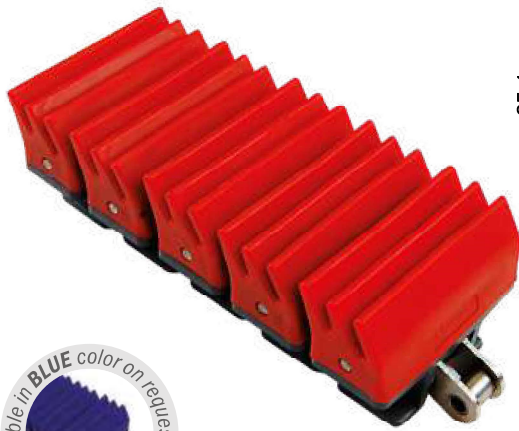
Article-Nr.	Chain	Ref.	A (Width) mm	Max working load N	Weight kg/m	Rubber	Material
11200102	C45	1873 TAB K325 GR	82,5	4500	4,354	Material: TPR Color: Red	LFD
11200105		1873 TAB K450 GR	114,3				
11200202	Nickel Plated Steel	1873 NP TAB K325 GR	82,5	4500	4,354		
11200205		1873 NP TAB K450 GR	114,3				
11200302	Stainless Steel	1873 SS TAB K325 GR	82,5	3500	4,354		
11200305		1873 SS TAB K450 GR	114,3				
11320102	C45	1873 TAB K325 GR	82,5	4500	4,354	Material: TPR Color: Red	MX
11320105		1873 TAB K450 GR	114,3				
11320202	Nickel Plated Steel	1873 NP TAB K325 GR	82,5	4500	4,354		
11320205		1873 NP TAB K450 GR	114,3				
11320302	Stainless Steel	1873 SS TAB K325 GR	82,5	3500	4,354		
11320305		1873 SS TAB K450 GR	114,3				
11210102	C45	1873 TAB K325 GR	82,5	4500	4,354	Material: EPDM-PP Color: Black	PP
11210105		1873 TAB K450 GR	114,3				
11210202	Nickel Plated Steel	1873 NP TAB K325 GR	82,5	4500	4,354		
11210205		1873 NP TAB K450 GR	114,3				
11210302	Stainless Steel	1873 SS TAB K325 GR	82,5	3500	4,354		
11210305		1873 SS TAB K450 GR	114,3				
11330102	C45	1873 TAB K325 GR	82,5	4500	4,354	Material: TPR Color: Red	MWX
11330105		1873 TAB K450 GR	114,3				
11330202	Nickel Plated Steel	1873 NP TAB K325 GR	82,5	4500	4,354		
11330205		1873 NP TAB K450 GR	114,3				
11330302	Stainless Steel	1873 SS TAB K325 GR	82,5	3500	4,354		
11330305		1873 SS TAB K450 GR	114,3				

1873 GRIPPER GS2

Catena curvilinea
Sideflexing chain / Kurvengängige Plattenbandkette

Delivery: **Easy** **Standard**

The stainless steel version is supplied with LONG-LIFE SS roller chain. | Backflex radius min.: 150 mm



TAB SYSTEM

10 feet
3.048 m
80 flights

SPROCKET
ASA 60
Standard on
market

pg. 167/176

pg. 651>661

Standard lenght roller chain: 160 Pitches

Article-Nr.	Chain	Ref.	A (Width) mm	Max working load N	Weight kg/m	Rubber	Material	
11280102	C45	1873 TAB K325 GR	82,5	4500	4,354		LFD	
11280105		1873 TAB K450 GR	114,3					
11280202	Nickel Plated Steel	1873 NP TAB K325 GR	82,5	4500	4,354	Material: TPR		
11280205		1873 NP TAB K450 GR	114,3					Color: Red
11280302	Stainless Steel	1873 SS TAB K325 GR	82,5	3500	4,354			
11280305		1873 SS TAB K450 GR	114,3					4,945
11340102	C45	1873 TAB K325 GR	82,5	4500	4,354			MX
11340105		1873 TAB K450 GR	114,3					
11340202	Nickel Plated Steel	1873 NP TAB K325 GR	82,5	4500	4,354	Material: TPR		
11340205		1873 NP TAB K450 GR	114,3					
11340302	Stainless Steel	1873 SS TAB K325 GR	82,5	3500	4,354			
11340305		1873 SS TAB K450 GR	114,3				4,945	
11290102	C45	1873 TAB K325 GR	82,5	4500	4,354		PP	
11290105		1873 TAB K450 GR	114,3					
11290202	Nickel Plated Steel	1873 NP TAB K325 GR	82,5	4500	4,354	Material: EPDM-PP		
11290205		1873 NP TAB K450 GR	114,3					
11290302	Stainless Steel	1873 SS TAB K325 GR	82,5	3500	4,354			
11290305		1873 SS TAB K450 GR	114,3					4,945
11350102	C45	1873 TAB K325 GR	82,5	4500	4,354			MWX
11350105		1873 TAB K450 GR	114,3					
11350202	Nickel Plated Steel	1873 NP TAB K325 GR	82,5	4500	4,354	Material: TPR		
11350205		1873 NP TAB K450 GR	114,3					
11350302	Stainless Steel	1873 SS TAB K325 GR	82,5	3500	4,354			
11350305		1873 SS TAB K450 GR	114,3				4,945	

1873 GRIPPER GS4

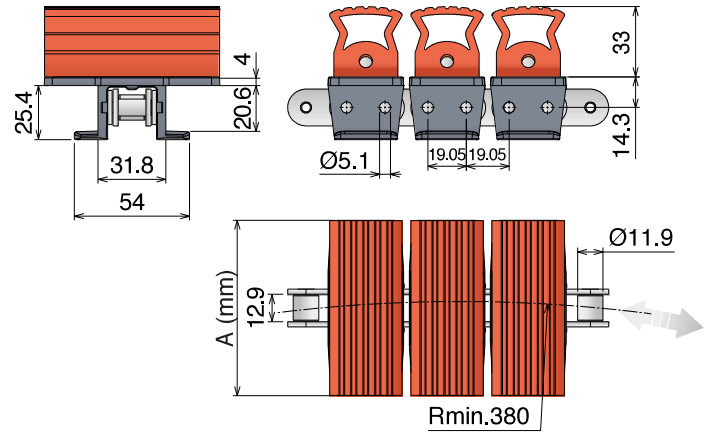
Catene in plastica / Plastic chains / Kunststoffkette

1873 GRIPPER GS4

Catena curvilinea
Sideflexing chain / Kurvengängige Plattenbandkette

Delivery: **Easy** Standard

The stainless steel version is supplied with LONG-LIFE SS roller chain. | Backflex radius min.: 400 mm



Standard length roller chain: 160 Pitches

TAB SYSTEM

10 feet
3.048 m
80 flights

SPROCKET
ASA 60
Standard on market

pg. 167/176

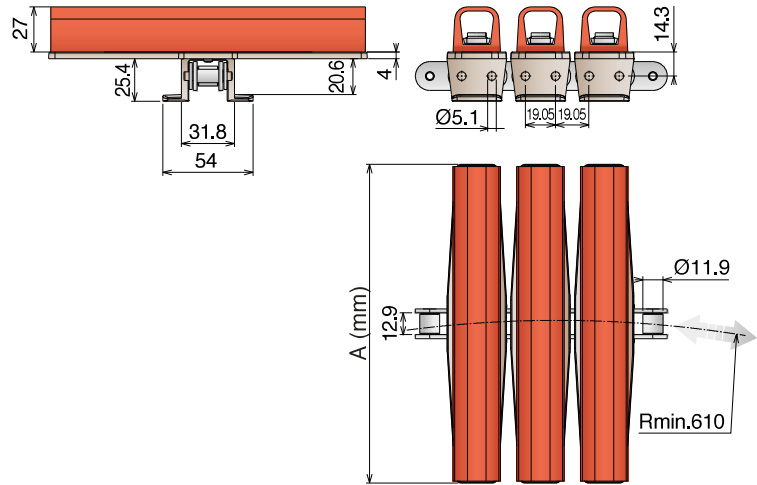
pg. 651->661

Article-Nr.	Chain	Ref.	A (Width mm)	Max working load N	Weight kg/m	Rubber	Material	
11830102	C45	1873 TAB K325 GR	82,5	4500	4,15		LFD	
11830105		1873 TAB K450 GR	114,3					
11830202	Nickel Plated Steel	1873 NP TAB K325 GR	82,5	4500	4,15	Material: TPR		
11830205		1873 NP TAB K450 GR	114,3					Color: Red
11830302	Stainless Steel	1873 SS TAB K325 GR	82,5	3500	4,15			
11830305		1873 SS TAB K450 GR	114,3			4,70		
11840102	C45	1873 TAB K325 GR	82,5	4500	4,15			MX
11840105		1873 TAB K450 GR	114,3					
11840202	Nickel Plated Steel	1873 NP TAB K325 GR	82,5	4500	4,15	Material: TPR		
11840205		1873 NP TAB K450 GR	114,3					
11840302	Stainless Steel	1873 SS TAB K325 GR	82,5	3500	4,15			
11840305		1873 SS TAB K450 GR	114,3			4,70		
11850102	C45	1873 TAB K325 GR	82,5	4500	4,15		PP	
11850105		1873 TAB K450 GR	114,3					
11850202	Nickel Plated Steel	1873 NP TAB K325 GR	82,5	4500	4,15	Material: EPDM-PP		
11850205		1873 NP TAB K450 GR	114,3					
11850302	Stainless Steel	1873 SS TAB K325 GR	82,5	3500	4,15			
11850305		1873 SS TAB K450 GR	114,3			4,70		
11860102	C45	1873 TAB K325 GR	82,5	4500	4,15			MWX
11860105		1873 TAB K450 GR	114,3					
11860202	Nickel Plated Steel	1873 NP TAB K325 GR	82,5	4500	4,15	Material: TPR		
11860205		1873 NP TAB K450 GR	114,3					
11860302	Stainless Steel	1873 SS TAB K325 GR	82,5	3500	4,15			
11860305		1873 SS TAB K450 GR	114,3			4,70		

1873 D-SHAPE

Catena curvilinea
Sideflexing chain / Kurvengängige Plattenbandkette

The stainless steel version is supplied with LONG-LIFE SS roller chain. | Backflex radius min.: 200 mm



SPROCKET
ASA 60
Standard on market



pg. 167/176



pg. 651>661

TAB SYSTEM

Standard length roller chain: 160 Pitches

Article-Nr.	Chain	Ref.	A (Width) mm	Max working load N	Weight kg/m	Rubber	Material
11870106	C45	1873 TAB K600 D	152,4	4500	4,00	Material: TPR Color: Red	LF
11870107		1873 TAB K750 D	190,5				
11870206	Nickel Plated Steel	1873 NP TAB K600 D	152,4	4500	4,00		
11870207		1873 NP TAB K750 D	190,5				
11870306	Stainless Steel	1873 SS TAB K600 D	152,4	3500	4,00		
11870307		1873 SS TAB K750 D	190,5				
11880106	C45	1873 TAB K600 D	152,4	4500	4,00	Material: TPR Color: Red	MX
11880107		1873 TAB K750 D	190,5				
11880206	Nickel Plated Steel	1873 NP TAB K600 D	152,4	4500	4,00		
11880207		1873 NP TAB K750 D	190,5				
11880306	Stainless Steel	1873 SS TAB K600 D	152,4	3500	4,00		
11880307		1873 SS TAB K750 D	190,5				
11890106	C45	1873 TAB K600 D	152,4	4500	4,00	Material: EPDM-PP Color: Black	MPX
11890107		1873 TAB K750 D	190,5				
11890206	Nickel Plated Steel	1873 NP TAB K600 D	152,4	4500	4,00		
11890207		1873 NP TAB K750 D	190,5				
11890306	Stainless Steel	1873 SS TAB K600 D	152,4	3500	4,00		
11890307		1873 SS TAB K750 D	190,5				



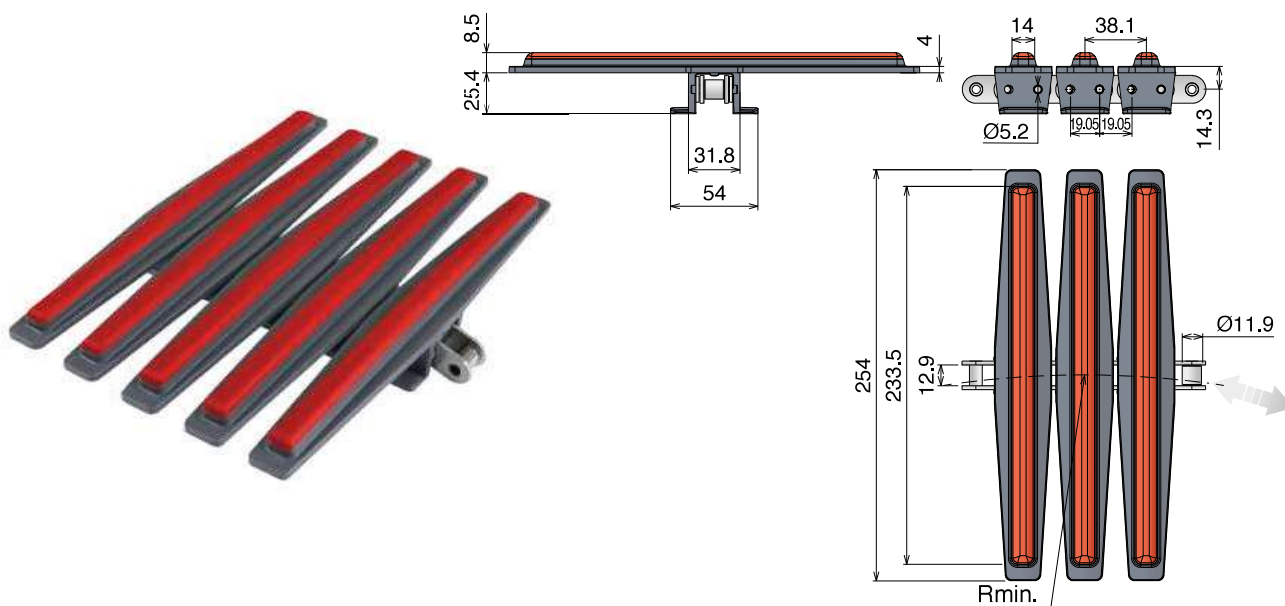
1873 MX1

Catene in plastica / Plastic chains / Kunststoffkette

1873 MX1 Catena curvilinea Sideflexing chain / Kurvengängige Plattenbandkette

RANGE EXTENSION

The stainless steel version is supplied with LONG-LIFE SS roller chain. | TPE Rubber: 75 ShA | Backflex radius min.: 200 mm



Standard length roller chain: 160 Pitches

TAB SYSTEM

10 feet
3.048 m
80 flights

SPROCKET
ASA 60
Standard on market

pg. 167/176

pg. 651→661

Article-Nr.	Chain	Ref.	Plate Width mm	Weight kg/m	Max working load N	Sideflex radius min. mm	Material
11790108	C45	1873 LF TAB K1000	254,0	2,80	4500	457	LF
11780108	Nickel Plated Steel				4500		
11690108	Stainless Steel				3500		
11790308	C45	1873 MX TAB K1000	254,0	2,80	4500	457	MX
11780308	Nickel Plated Steel				4500		
11690308	Stainless Steel				3500		

1873 MX1

Chain for hot-fill applications, neck & cap sterilizing.

Care

Designed to keep the products in the correct position during the twist movement.

Temperature resistance

The rubber is developed for and perfectly resistant against the higher temperatures of the hot-filled products.

Long life roller chain

Special hardened pins and bushing guarantee a longer lifetime. Chain can twist 90° in 1500 mm.

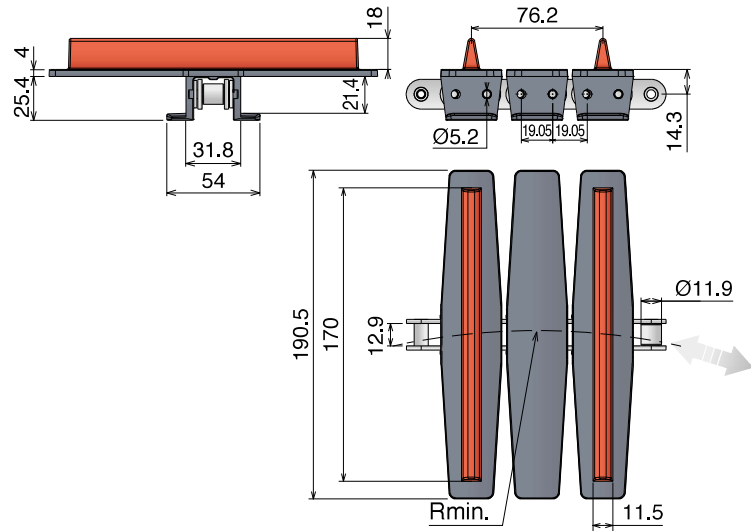
Product stability

The new developed design guarantees a perfect connection between rubber and plate.

1873 MX2 Catena curvilinea Sideflexing chain / Kurvengängige Plattenbandkette

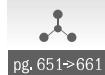
RANGE EXTENSION

The stainless steel version is supplied with LONG-LIFE SS roller chain. | TPE Rubber: 75 ShA | Backflex radius min.: 200 mm



Standard length roller chain: 160 Pitches

TAB SYSTEM



Article-Nr.	Chain	Ref.	Plate Width mm	Weight kg/m	Max working load N	Sideflex radius min. mm	Material
11770107	C45				4500		LF
11760107	Nickel Plated Steel	1873 LF TAB K750	190,5	2,60	4500	457	
11670107	Stainless Steel				3500		
11770307	C45				4500		MX
11760307	Nickel Plated Steel	1873 MX TAB K750	190,5	2,60	4500	457	
11670307	Stainless Steel				3500		

1873 MX2

Chain for twisting cans

Care

Designed to twist cans without pressure.

Temperature resistance

Materials are suitable for use at high temperatures.

Long life roller chain

Special hardened pins and bushing guarantee a longer lifetime. Chain can twist 90° in 1500 mm.

Product stability

The flights assure the position of the cans also at higher speed.



878 GRIPPER GS1/GS2/GS4

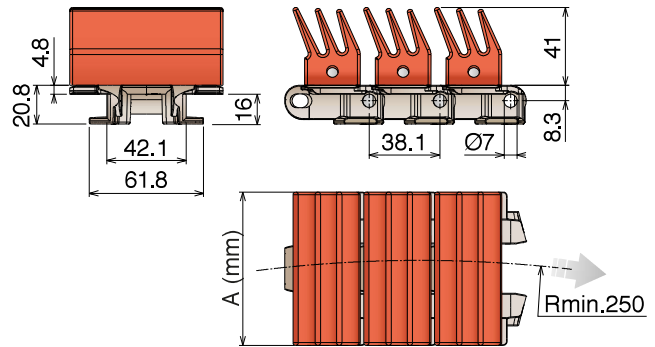
Catene in plastica / Plastic chains / Kunststoffkette

878 GRIPPER

Catena curvilinea
Sideflexing chain / Kurvengängige Scharnierbandkette

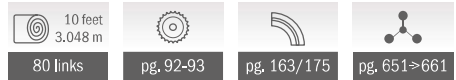
Delivery: **Easy** **Standard**

Backflex radius min. **GS1:** 100 mm - **GS2:** 180 mm - **GS4:** 380 mm

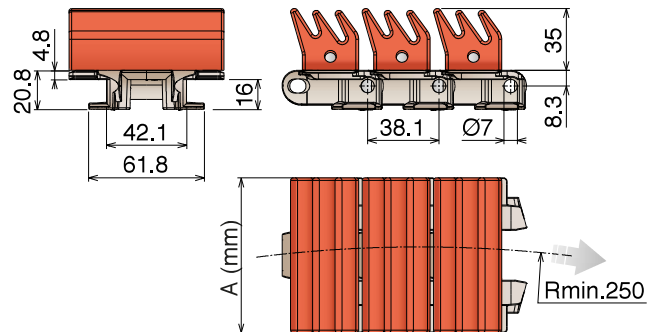


GS1

TAB SYSTEM

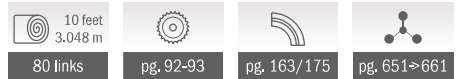


Article-Nr.	Ref.	A (Plate Width) mm	R mm	Weight kg/m	Max working load N	Rubber	Material
11800102	LF 878 GS1 K325	82,5	250	4,65	2200	TPR	LF

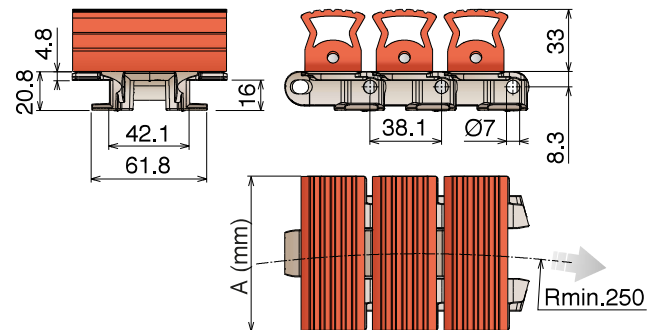


GS2

TAB SYSTEM

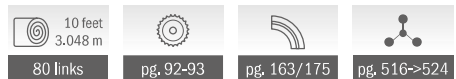


Article-Nr.	Ref.	A (Plate Width) mm	R mm	Weight kg/m	Max working load N	Rubber	Material
11810102	LF 878 GS2 K325	82,5	250	4,05	2200	TPR	LF



GS4

TAB SYSTEM

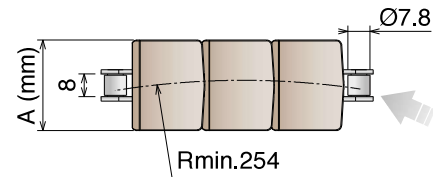
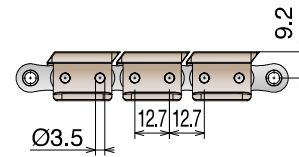
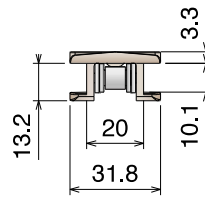


Article-Nr.	Ref.	A (Plate Width) mm	R mm	Weight kg/m	Max working load N	Rubber	Material
11820102	LF 878 GS4 K325	82,5	250	4,10	2200	TPR	LF

1843 Catena curvilinea Sideflexing chain / Kurvengängige Plattenbandkette

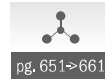
Delivery: **Easy** **Standard**

Backflex radius min.: 80 mm



Standard length roller chain: 240 Pitches

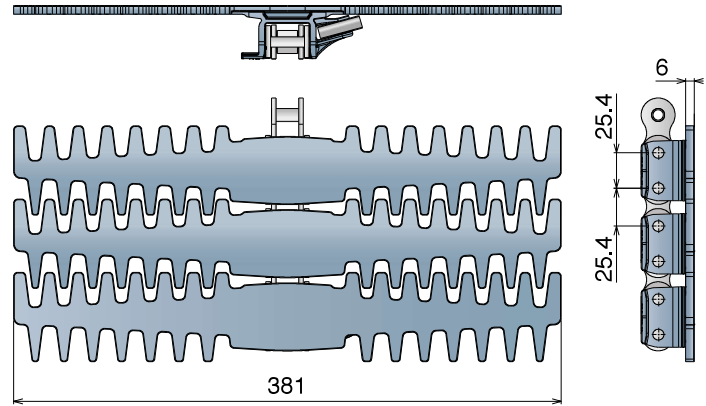
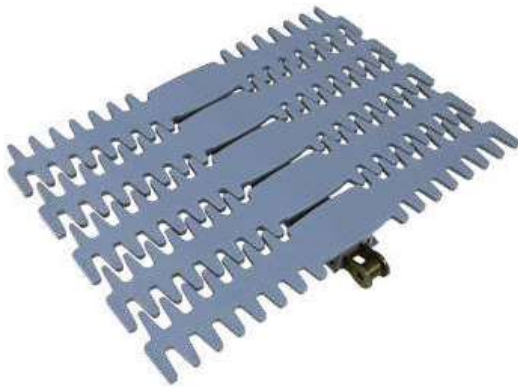
TAB SYSTEM



Article-Nr.	Chain	Ref.	A (Plate Width) mm	R mm	Weight kg/m	Max working load N	Backflex radius min. mm	Material
11400117	C45	LF 1843 TAB K125	31,8	254	0,74	2700	50	LF
11410117	Stainless Steel		31,8	254	0,74	1900		
11400119	C45	LF 1843 TAB K200	50,8	254	0,89	2700		
11410119	Stainless Steel		50,8	254	0,89	1900		
11400317	C45	MX 1843 TAB K125	31,8	254	0,74	2700	50	MX
11410317	Stainless Steel		31,8	254	0,74	1900		
11400319	C45	MX 1843 TAB K200	50,8	254	0,89	2700		
11410319	Stainless Steel		50,8	254	0,89	1900		

SP 1883 Catena curvilinea Sideflexing chain / Kurvengängige Plattenbandkette

Backflex radius min.: 350 mm

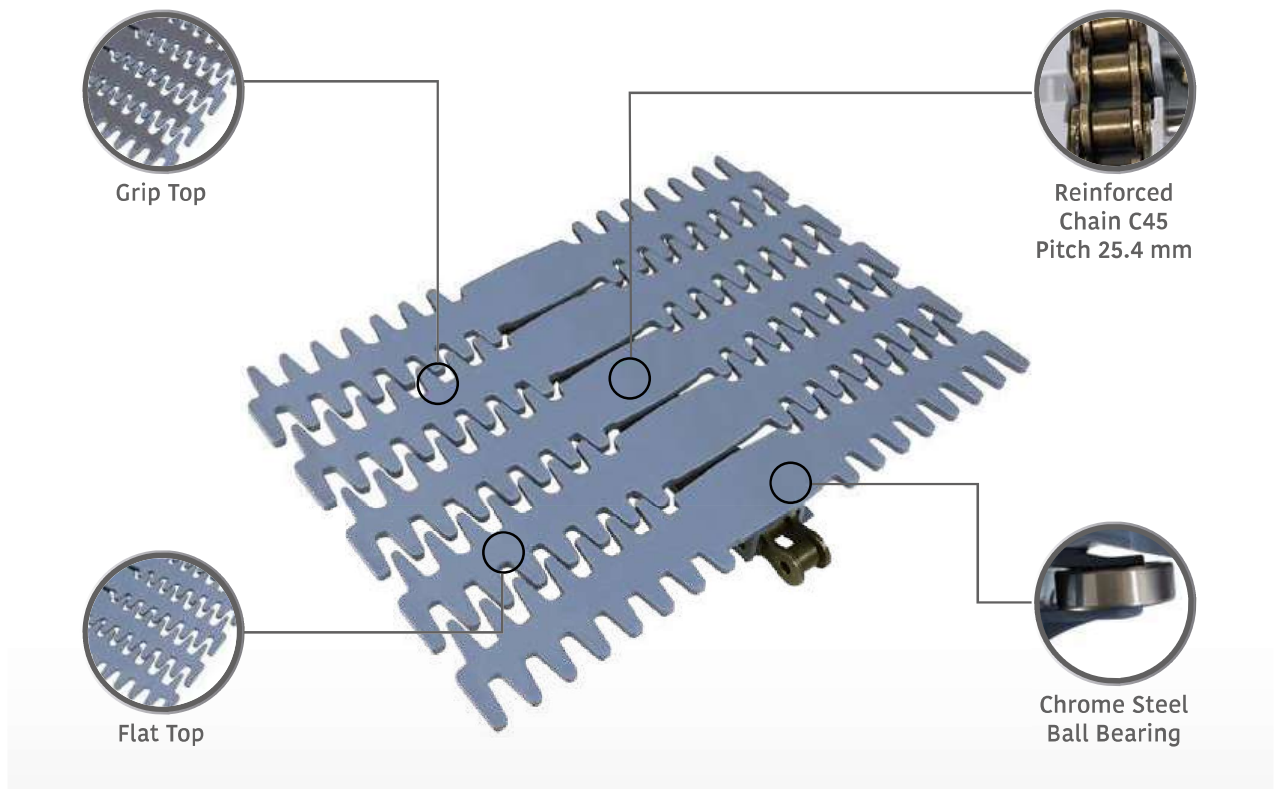


Standard length roller chain: 120 Pitches

10 feet 3.048 m	SPROCKET ASA 80 Standard on market	
60 links		pg. 651->661

Article-Nr.	Chain	Ref.	Plate Width mm	Weight kg/m	Max working load N	Sideflex radius min. mm	Material
11640110	C45	LFA SP 1883 TAB K1500	381,0	12,5	6500	711	LFA

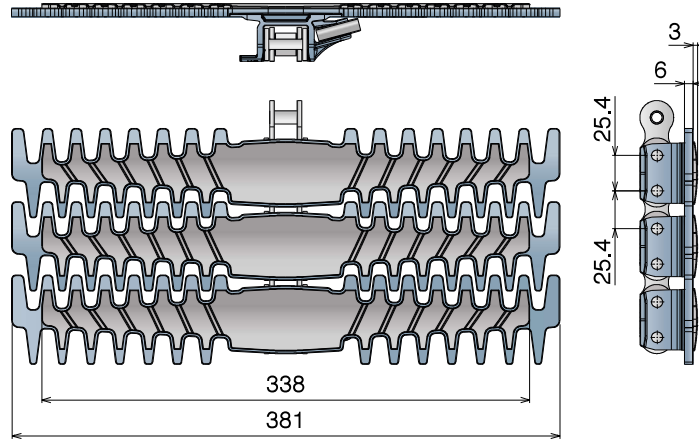
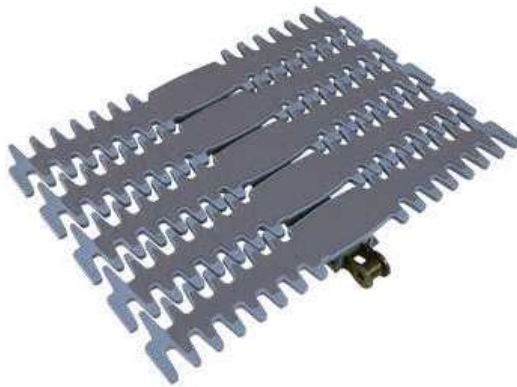
Max Speed High Performance



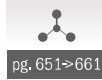
SP 1883 GT

Catena curvilinea
Sideflexing chain / Kurvengängige Plattenbandkette

Backflex radius min.: 350 mm



SPROCKET
ASA 80
Standard on
market



Standard length roller chain: 120 Pitches

Article-Nr.	Chain	Ref.	Plate Width mm	Weight kg/m	Max working load N	Sideflex radius min, mm	Material
11650110	C45	LFA SP 1883 GTTAB K1500	381,0	13,0	6500	711	LFA

