










































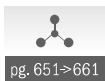


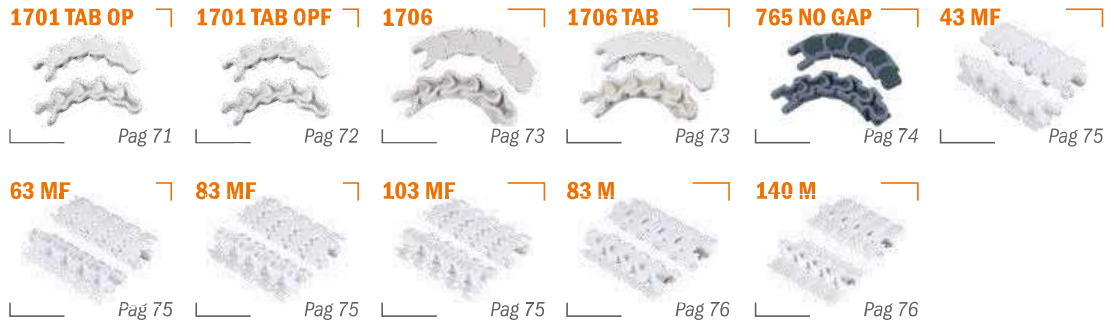


<b>820</b>  Pag 29/30	<b>820 V</b>  Pag 31	<b>820 Plastic pin</b>  Pag 31	<b>828</b>  Pag 32	<b>831</b>  Pag 33	<b>821</b>  Pag 34
<b>821 GT</b>  Pag 35	<b>821 LBP</b>  Pag 36	<b>8257</b>  Pag 37	<b>8257 GT</b>  Pag 38	<b>8257 LBP</b>  Pag 39	<b>878 TAB</b>  Pag 40
<b>879 M</b>  Pag 41	<b>879 TAB</b>  Pag 42	<b>888 TAB</b>  Pag 43	<b>888 TAB GT</b>  Pag 44	<b>880 M</b>  Pag 45	<b>880 TAB</b>  Pag 46
<b>880 V TAB</b>  Pag 47	<b>880 TAB Plastic pin</b>  Pag 48	<b>880 TAB B0</b>  Pag 48	<b>880 B</b>  Pag 49	<b>882 M</b>  Pag 50	<b>882 M GT</b>  Pag 51
<b>882 M LBP</b>  Pag 52	<b>882 TAB</b>  Pag 53	<b>882 TAB GT</b>  Pag 54	<b>882 TAB LBP</b>  Pag 55	<b>1873</b>  Pag 56	<b>1873 GT</b>  Pag 57
<b>1873 GRIPPER GS1</b>  Pag 58	<b>1873 GRIPPER GS2</b>  Pag 59	<b>1873 GRIPPER GS4</b>  Pag 60	<b>1873 D-SHAPE</b>  Pag 61	<b>1873 MX1</b>  Pag 62	<b>1873 MX2</b>  Pag 63
<b>878 GRIPPER GS1</b>  Pag 64	<b>878 GRIPPER GS2</b>  Pag 64	<b>878 GRIPPER GS4</b>  Pag 64	<b>1843</b>  Pag 65	<b>SP 1883</b>  Pag 66	<b>SP 1883 GT</b>  Pag 67
<b>CC 600</b>  Pag 68	<b>CC 600 TAB</b>  Pag 68	<b>CC 600 D</b>  Pag 69	<b>CC 600 D TAB</b>  Pag 69	<b>CC 1400</b>  Pag 70	<b>CC 1400 TAB</b>  Pag 70

Material Info:



pg. 651>661



# PFX

The best choice for dry running applications.

**PFX** is the plastic material specifically developed for chains and belts in order to run with limited lubrication or in dry applications where the demands are extreme concerning speed, performance & efficiency.

Realizing the many advantages and the versatility of our plastic compound, a growing number of companies are implementing **PFX** into their production lines with excellent results. Contact us, and request a free quotation!

## Plastic chains available:

820 FT



828 FT



880 M



880 TAB



### Low friction

Developed to reduce friction between chain and product, and chain and wearstrip.



### Minimal dusting

Developed to avoid dusting under extreme circumstances.



### Food contact Certified

PFX material is suitable in food application.



### High performance

Longer wear life lead to excellent and long enduring product handling features.



### Control of cost

Better control of total cost & sustainable conveyor technology.



### Patented material

PFX is an exclusive product of Movex.

Other different types of product in PFX are on request.

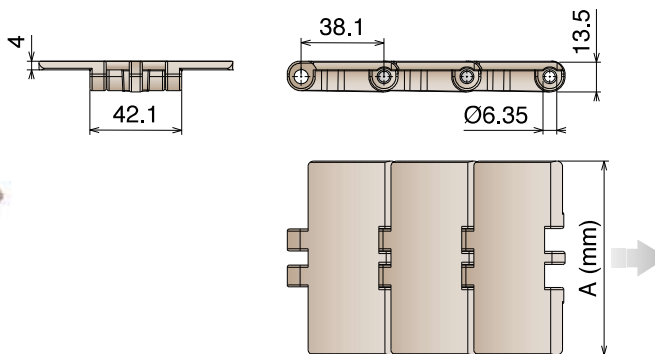
# 820 Catena rettilinea

Straight running chain / Geradegängige Scharnierbandkette

**IMPROVED DESIGN**

Delivery: **Easy** **Standard**

Pins: Stainless Steel | Backflex radius min.: 50 mm



10 feet / 3.048 m  
80 links

84-85-94/108

pg. 651>661

Article-Nr.	Ref.	A (Plate Width) mm	Weight kg/m	Max working load N	Material
11010102	LF 820 K325	82,5	0,89	1625	LF
11010103	LF 820 K330	83,8	0,90		
11010104	LF 820 K350	88,9	0,91		
11010114	LF 820 K400	101,6	0,95		
11010105	LF 820 K450	114,3	1,00		
11010106	LF 820 K600	152,4	1,22		
11010107	LF 820 K750	190,5	1,43		
11010302	MX 820 K325	82,5	0,89	1260	MX
11010303	MX 820 K330	83,8	0,90		
11010304	MX 820 K350	88,9	0,91		
11010314	MX 820 K400	101,6	0,95		
11010305	MX 820 K450	114,3	1,00		
11010306	MX 820 K600	152,4	1,22		
11010307	MX 820 K750	190,5	1,43		

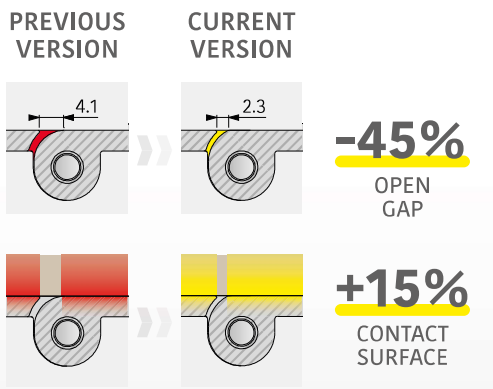
## 820 Series

PRODUCT UPDATE

Movex created an optimized version in which the gap between the links is 45% lower and the contact surface has increased up to a maximum of 15%: the result is an improved product stability. The new design is completely interchangeable and connectable with the previous one.

### Advantages:

- Improved stability
- Increased sliding surface
- Minimized open gap
- Same backflex radius

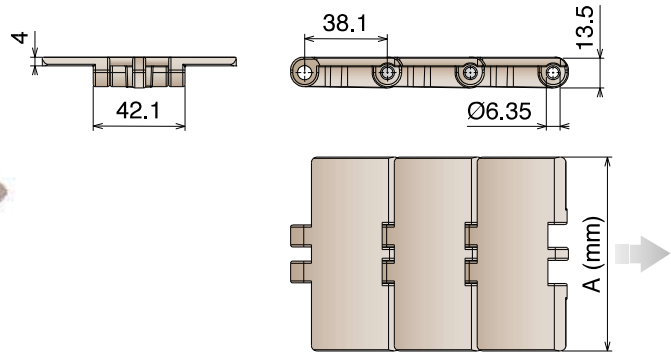


## 820 Catena rettilinea Straight running chain / Geradegängige Scharnierbandkette

**IMPROVED DESIGN**

Delivery: **Easy** **Standard**

Pins: Stainless Steel | Backflex radius min.: 50 mm



**-45%** OPEN GAP **+15%** CONTACT SURFACE



Article-Nr.	Ref.	A (Plate Width) mm	Weight kg/m	Max working load N	Material
11013002	PFX 820 K325	82,5	0,89	1260	PFX
11013003	PFX 820 K330	83,8	0,90		
11013004	PFX 820 K350	88,9	0,91		
11013014	PFX 820 K400	101,6	0,95		
11013005	PFX 820 K450	114,3	1,00		
11013006	PFX 820 K600	152,4	1,22		
11013007	PFX 820 K750	190,5	1,43		
11012502	MPX 820 K325	82,5	0,89	1625	MPX
11012503	MPX 820 K330	83,8	0,90		
11012504	MPX 820 K350	88,9	0,91		
11012514	MPX 820 K400	101,6	0,95		
11012505	MPX 820 K450	114,3	1,00		
11012506	MPX 820 K600	152,4	1,22		
11012507	MPX 820 K750	190,5	1,43		
11011602	DKM 820 K325	82,5	0,89	1625	DKM
11011603	DKM 820 K330	83,8	0,90		
11011604	DKM 820 K350	88,9	0,91		
11011614	DKM 820 K400	101,6	0,95		
11011605	DKM 820 K450	114,3	1,00		
11011606	DKM 820 K600	152,4	1,22		
11011607	DKM 820 K750	190,5	1,43		
11011702	MWX 820 K325	82,5	0,89	1625	MWX
11011703	MWX 820 K330	83,8	0,90		
11011704	MWX 820 K350	88,9	0,91		
11011714	MWX 820 K400	101,6	0,95		
11011705	MWX 820 K450	114,3	1,00		
11011706	MWX 820 K600	152,4	1,22		
11011707	MWX 820 K750	190,5	1,43		



# 820 V-820 Plastic pin

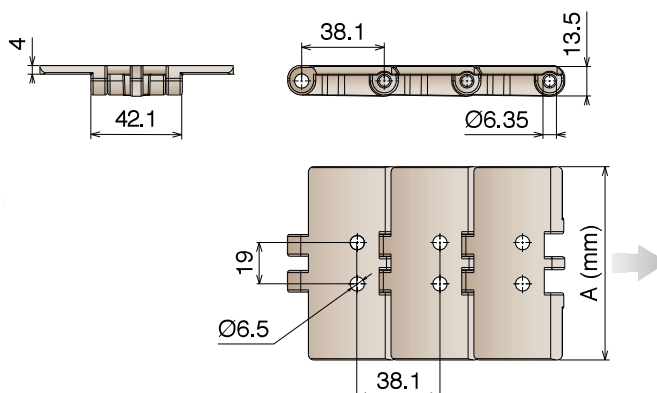
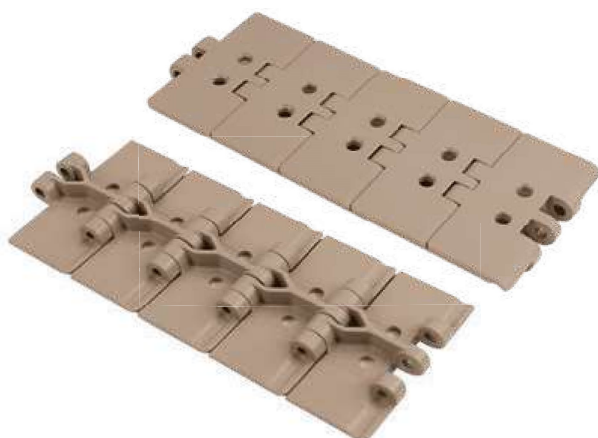
Catene in plastica / Plastic chains / Kunststoffkette

## 820 V

Catena rettilinea  
Straight running chain / Geradegängige Scharnierbandkette

**IMPROVED DESIGN**

Pins: Stainless Steel | Backflex radius min.: 50 mm



**-45%**

OPEN GAP

**+15%**

CONTACT SURFACE



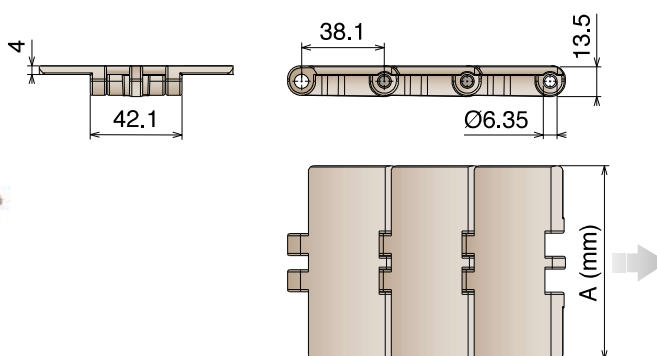
Article-Nr.	Ref.	A (Plate Width) mm	Weight kg/m	Max working load N	Material
11550102	LF 820 V2 K325	82,5	0,89	1625	LF
11550105	LF 820 V2 K450	114,3	1,00		

## 820

**Plastic pin** Catena rettilinea con perno in plastica  
Straight running chain with plastic pin / Geradegängige Scharnierbandkette mit plastic bolzen

**IMPROVED DESIGN**

Pins: Reinforced acetal resin | Backflex radius min.: 50 mm

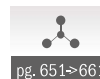


**-45%**

OPEN GAP

**+15%**

CONTACT SURFACE

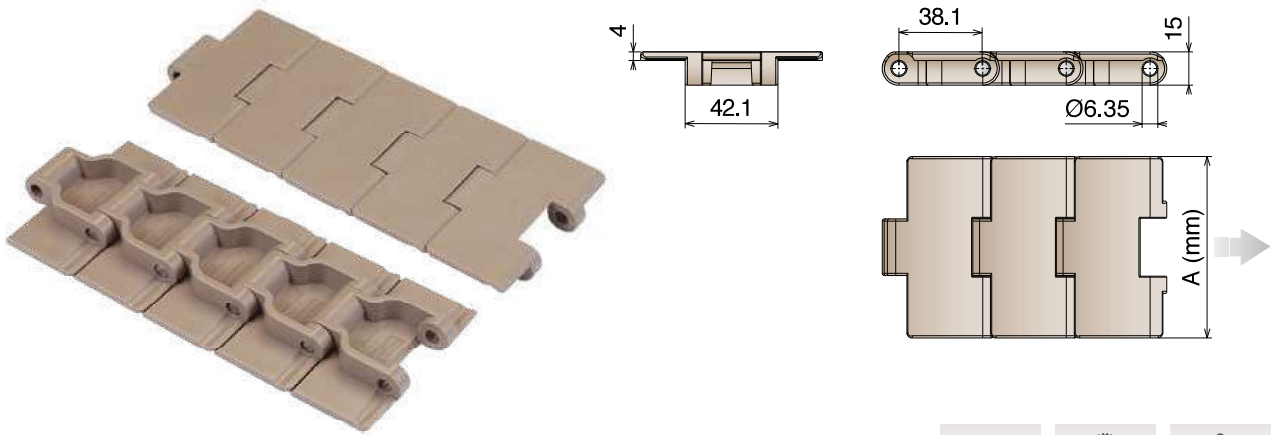


Article-Nr.	Ref.	A (Plate Width) mm	Weight kg/m	Max working load N	Material
11630102	LF 820 K325	82,5	0,69	650	LF
11630105	LF 820 K450	114,3	0,80		

## 828 Catena rettilinea Straight running chain / Geradegängige Scharnierbandkette

Delivery: **Easy** **Standard**

Pins: Stainless Steel | Backflex radius min.: 50 mm



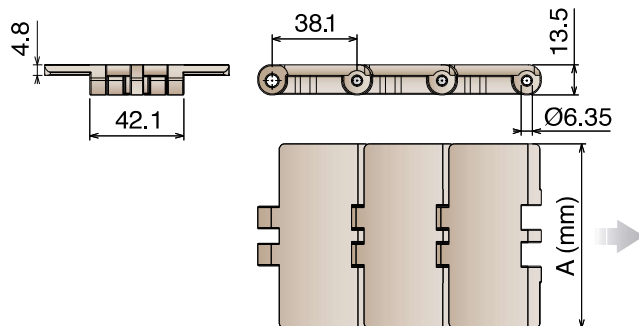
Article-Nr.	Ref.	A (Plate Width) mm	Weight kg/m	Max working load N	Material
11020102	LF 828 K325	82,5	1,07	2320	LF
11020103	LF 828 K330	83,8	1,13		
11020302	MX 828 K325	82,5	1,07	1860	MX
11020303	MX 828 K330	83,8	1,13		
11023002	PFX 828 K325	82,5	1,07	1860	PFX
11023003	PFX 828 K330	83,8	1,13		
11022502	MPX 828 K325	82,5	1,07	2320	MPX
11022503	MPX 828 K330	83,8	1,13		

# 831

Catena rettilinea  
Straight running chain / Geradegängige Scharnierbandkette

Delivery: **Easy** **Standard**

Pins: Stainless Steel | Backflex radius min.: 50 mm



80 links



pg. 86-87/108



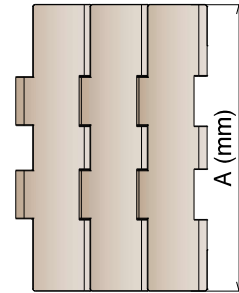
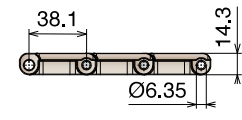
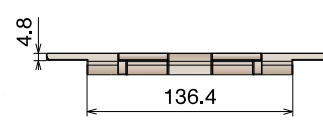
pg. 651&gt;661

Article-Nr.	Ref.	A (Plate Width) mm	Weight kg/m	Max working load N	Material
11030102	LF 831 K325	82,5	1,00	1625	LF
11030105	LF 831 K450	114,3	1,28		
11030107	LF 831 K750	190,5	1,80		
11030302	MX 831 K325	82,5	1,00	1260	MX
11030305	MX 831 K450	114,3	1,28		
11030307	MX 831 K750	190,5	1,80		

## 821 Catena rettilinea Straight running chain / Geradegängige Scharnierbandkette

Delivery: **Easy** **Standard**

Pins: Stainless Steel | Backflex radius min.: 50 mm



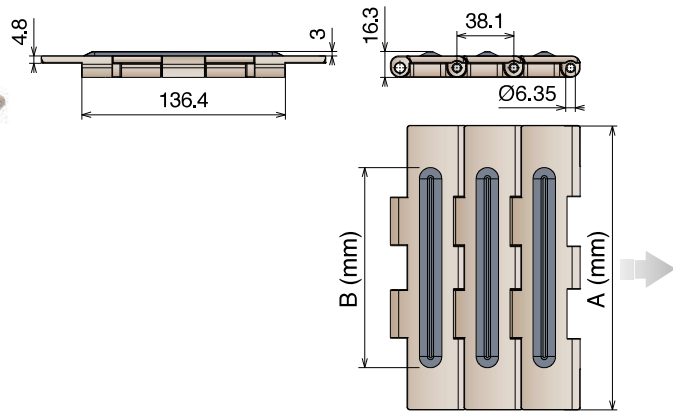
Article-Nr.	Ref.	A (Plate Width) mm	Weight kg/m	Max working load N	Material
11040107	LF 821 K750	190,5	2,55	2770	LF
11040108	LF 821 K1000	254,0	3,05		
11040109	LF 821 K1200	304,8	3,35		
11040307	MX 821 K750	190,5	2,55	2200	MX
11040308	MX 821 K1000	254,0	3,05		
11040309	MX 821 K1200	304,8	3,35		
11042507	MPX 821 K750	190,5	2,55	2770	MPX
11042508	MPX 821 K1000	254,0	3,05		
11042509	MPX 821 K1200	304,8	3,35		

## 821 GT

Catena rettilinea  
Straight running chain / Geradegängige Scharnierbandkette

Delivery: **Easy** **Standard**

Pins: Stainless Steel | Backflex radius min.: 50 mm | TPE Rubber: 50 ShA



Article-Nr.	Ref.	A (Plate Width) mm	B (Rubber Width) mm	Weight kg/m	Max working load N	Material
11050107	LF 821 GT K750	190,5	134,0	2,55	2770	LF
11050108	LF 821 GT K1000	254,0	192,0	3,05		
11050109	LF 821 GT K1200	304,8	252,0	3,35		
11050307	MX 821 GT K750	190,5	134,0	2,55	2200	MX
11050308	MX 821 GT K1000	254,0	192,0	3,05		
11050309	MX 821 GT K1200	304,8	252,0	3,35		



# 821 LBP

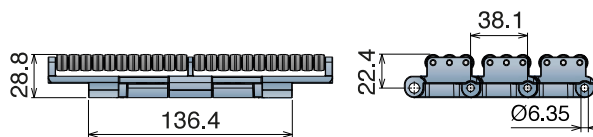
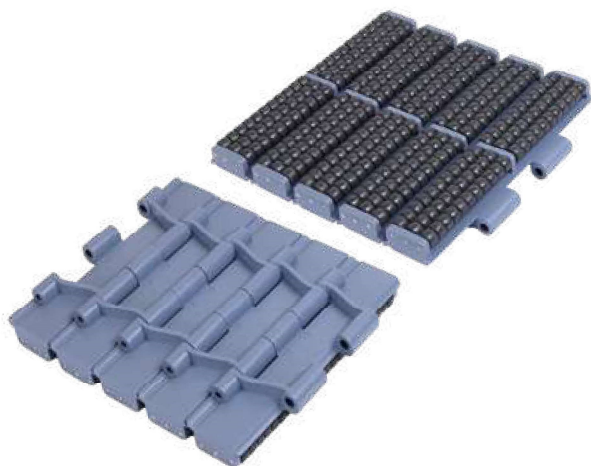
Catene in plastica / Plastic chains / Kunststoffkette

## 821 LBP

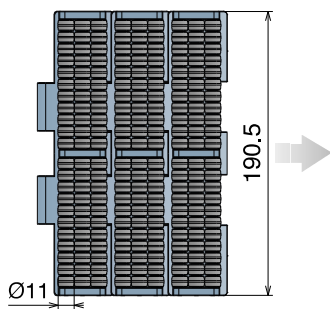
Catena rettilinea  
Straight running chain / Geradegängige Scharnierbandkette

Delivery: **Easy** **Standard**

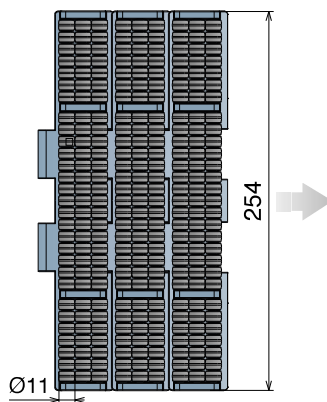
Pins: Stainless Steel | Backflex radius min.: 150 mm



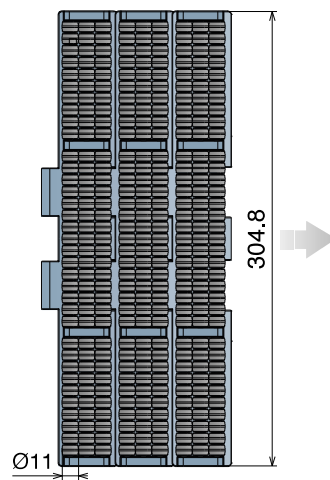
### K750



### K1000



### K1200

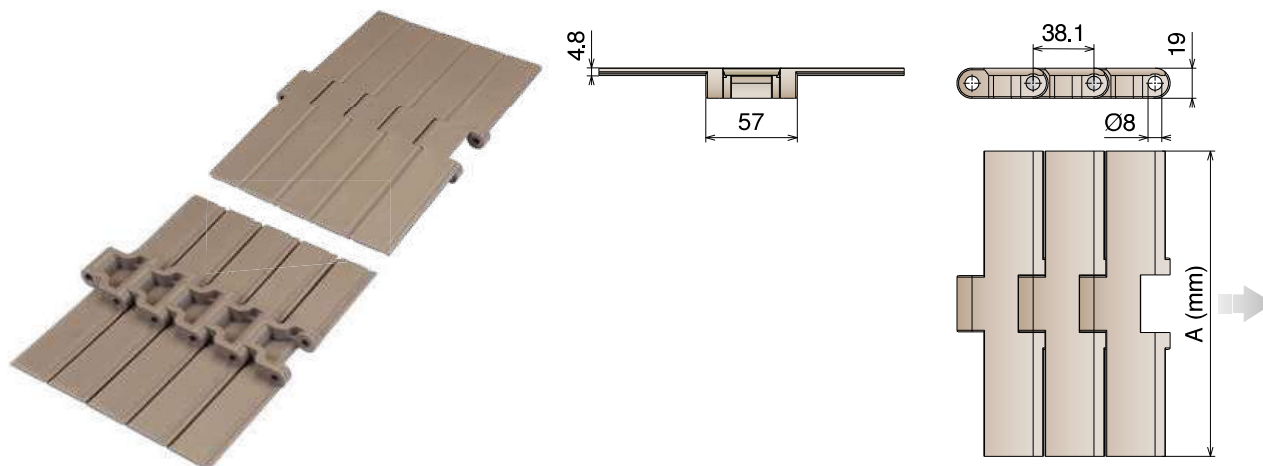


Article-Nr.	Ref.	Plate Width mm	Weight kg/m	Max working load N	Material
11060107	LFA 821 LBP K750	190,5	5,70	2770	LFA
11060108	LFA 821 LBP K1000	254,0	7,05		
11060109	LFA 821 LBP K1200	304,8	8,21		

## 8257 Catena rettilinea Straight running chain / Geradegängige Scharnierbandkette

Delivery: **Easy** **Standard**

Pins: Stainless Steel | Backflex radius min.: 50 mm



Article-Nr.	Ref.	A (Plate Width) mm	Weight kg/m	Max working load N	Material
11070107	LF 8257 K750	190,5	2,55	3830	LF
11070108	LF 8257 K1000	254,0	3,05		
11070109	LF 8257 K1200	304,8	3,35		
11070307	MX 8257 K750	190,5	2,55	3050	MX
11070308	MX 8257 K1000	254,0	3,05		
11070309	MX 8257 K1200	304,8	3,35		

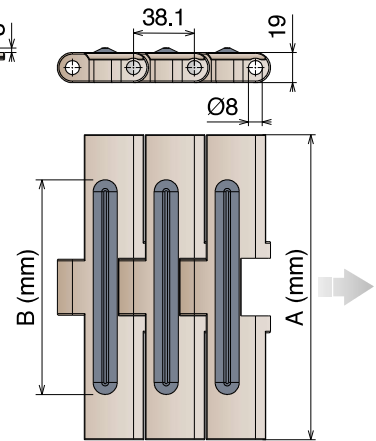
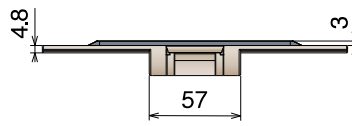
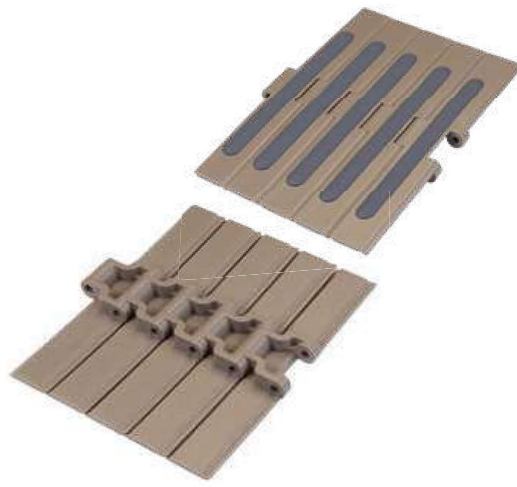
# 8257 GT

Catene in plastica / Plastic chains / Kunststoffkette

## 8257 GT Catena rettilinea Straight running chain / Geradegängige Scharnierbandkette

Delivery: **Easy** **Standard**

Pins: Stainless Steel | Backflex radius min.: 50 mm | TPE Rubber: 50 ShA



 5 feet  
1.524 m  
 pg. 90-91/110  
 pg. 651->661  
 40 links

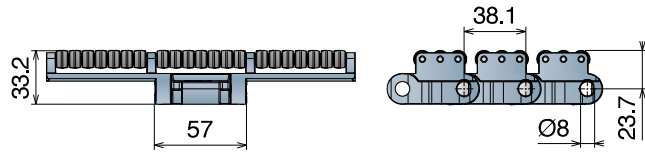
Article-Nr.	Ref.	A (Plate Width) mm	B (Rubber Width) mm	Weight kg/m	Max working load N	Material
11080107	LF 8257 GT K750	190,5	134,0	2,55	3830	LF
11080108	LF 8257 GT K1000	254,0	192,0	2,60		
11080109	LF 8257 GT K1200	304,8	252,0	2,95		

## 8257 LBP

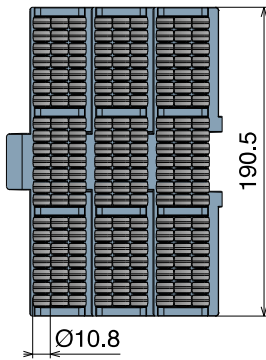
Catena rettilinea  
Straight running chain / Geradegängige Scharnierbandkette

Delivery: **Easy** **Standard**

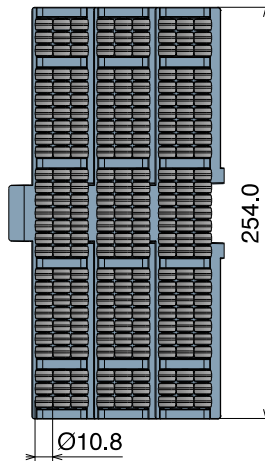
Pins: Stainless Steel | Backflex radius min.: 200 mm



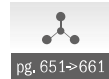
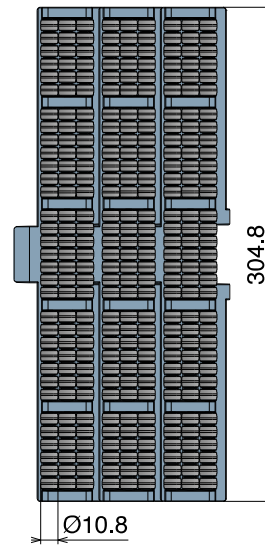
**K750**



**K1000**



**K1200**



Article-Nr.	Ref.	A (Plate Width) mm	Weight kg/m	Max working load N	Material
11090107	LFA 8257 LBP K750	190,5	5,65	3830	LFA
11090108	LFA 8257 LBP K1000	254,0	7,16		
11090109	LFA 8257 LBP K1200	304,8	8,05		

# 878 TAB

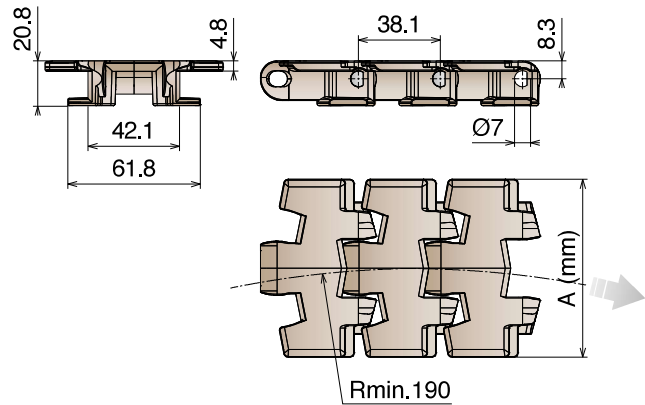
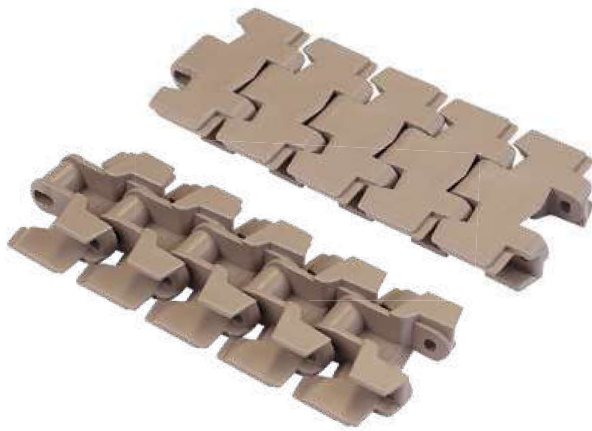
Catene in plastica / Plastic chains / Kunststoffkette

## 878 TAB

Catena curvilinea  
Sideflexing chain / Kurvengängige Scharnierbandkette

Delivery: **Easy** **Standard**

Pins: Stainless Steel | Backflex radius min.: 50 mm



### TAB SYSTEM



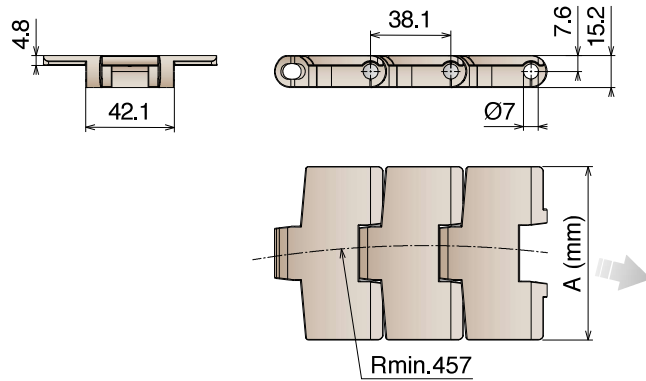
Article-Nr.	Ref.	A (Plate Width) mm	Weight kg/m	Max working load N	Material
11190102	LF 878 TAB K325	82,5	1,06	2200	LF
11190105	LF 878 TAB K450	114,3	1,18		
11190302	MX 878 TAB K325	82,5	1,06	1750	MX
11190305	MX 878 TAB K450	114,3	1,18		
11191602	DKM 878 TAB K325	82,5	1,06	2200	DKM
11191605	DKM 878 TAB K450	114,3	1,18		



## 879 M Catena curvilinea Sideflexing chain / Kurvengängige Scharnierbandkette

Delivery: **Easy** **Standard**

Pins: Ferritic Stainless Steel | Backflex radius min.: 50 mm



**MAGNETIC SYSTEM**



Article-Nr.	Ref.	A (Plate Width) mm	R mm	Weight kg/m	Max working load N	Material
11240102	LF 879 M K325	82,5	457	1,05	2200	LF
11240105	LF 879 M K450	114,3	457	1,15		
11240302	MX 879 M K325	82,5	457	1,05	1750	MX
11240305	MX 879 M K450	114,3	457	1,15		

# 879 TAB

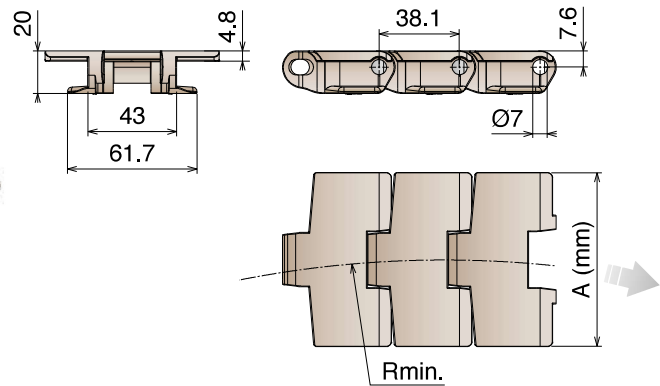
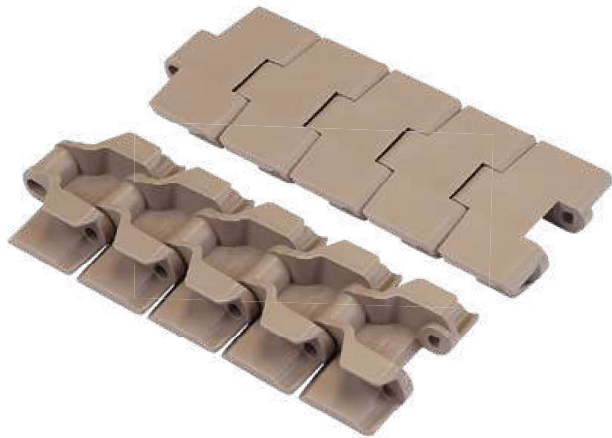
Catene in plastica / Plastic chains / Kunststoffkette

## 879 TAB

Catena curvilinea  
Sideflexing chain / Kurvengängige Scharnierbandkette

Delivery: **Easy** **Standard**

Pins: Stainless Steel | Backflex radius min.: 50 mm



### TAB SYSTEM

10 feet  
3.048 m  
80 links

pg. 88-89/108

pg. 163-175

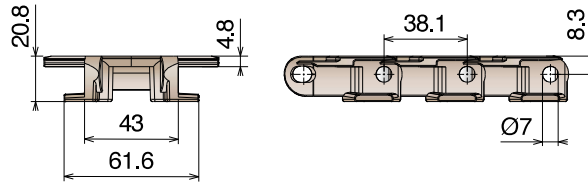
pg. 651->661

Article-Nr.	Ref.	A (Plate Width) mm	R mm	Weight kg/m	Max working load N	Material
11250102	LF 879 TAB K325	82,5	457	1,01	2200	LF
11250105	LF 879 TAB K450	114,3	610	1,13		
11250302	MX 879 TAB K325	82,5	457	1,01	1750	MX
11250305	MX 879 TAB K450	114,3	610	1,13		
11252502	MPX 879 TAB K325	82,5	457	1,01	2200	MPX
11252505	MPX 879 TAB K450	114,3	610	1,13		
11251702	MWX 879 TAB K325	82,5	457	1,01	2200	MWX
11251705	MWX 879 TAB K450	114,3	610	1,13		

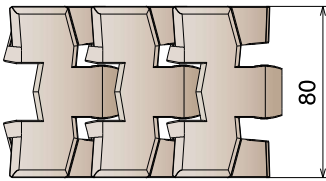
## 888 TAB

Catena curvilinea  
Sideflexing chain / Kurvengängige Scharnierbandkette

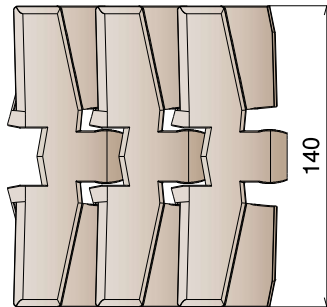
Pins: Stainless Steel | Backflex radius min.: 150 mm



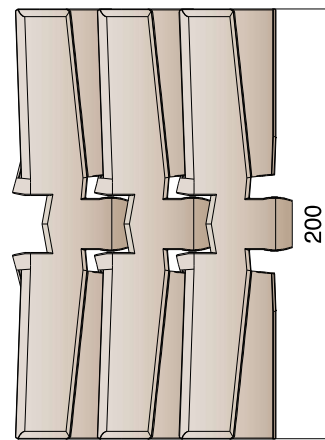
W80



W140



W200



### TAB SYSTEM



80 links



pg. 88-89



pg. 103-104



pg. 165-175



pg. 651-661

Article-Nr.	Ref.	Plate Width mm	R mm	Weight kg/m	Max working load N	Material
11700119	LF 888 TAB W80	80,0	200	1,05	2200	LF
11700120	LF 888 TAB W140	140,0	500	1,32		
11700121	LF 888 TAB W200	200,0	500	1,62		

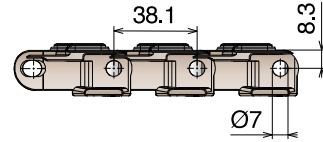
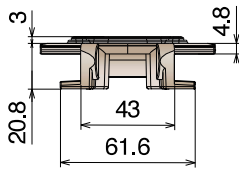
# 888 TAB GT

Catene in plastica / Plastic chains / Kunststoffkette

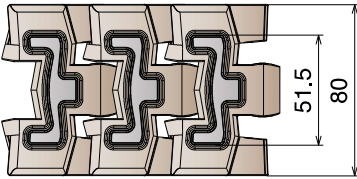
## 888 TAB GT

Catena curvilinea  
Sideflexing chain / Kurvengängige Scharnierbandkette

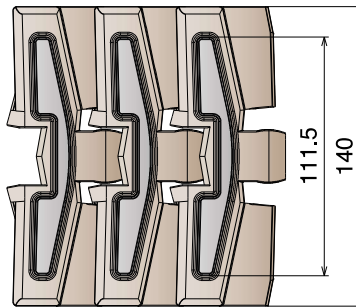
Pins: Stainless Steel | Backflex radius min.: 150 mm | TPE Rubber: 75 ShA



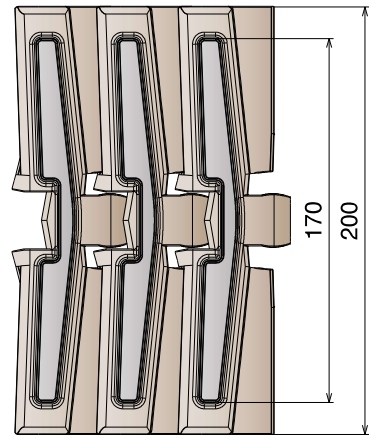
W80



W140



W200



### TAB SYSTEM

10 feet  
3,048 m  
80 links

pg. 88-89

pg. 103-104

pg. 165/175

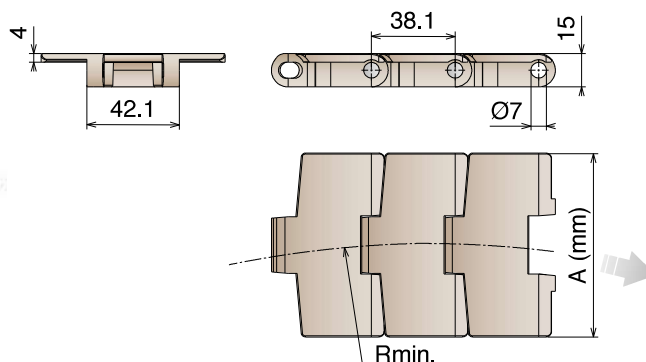
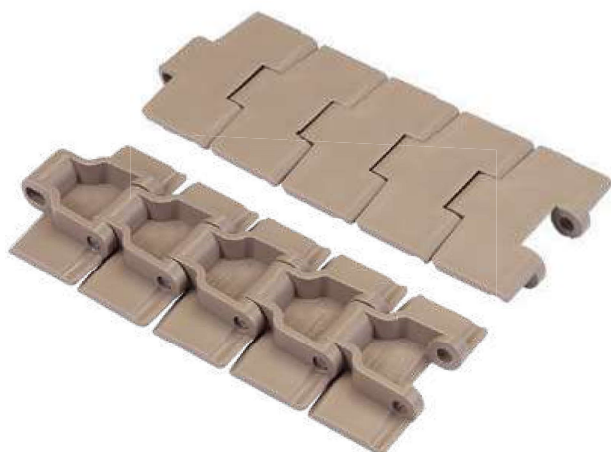
pg. 651->661

Article-Nr.	Ref.	Plate Width mm	R mm	Weight kg/m	Max working load N	Material
11710119	LF 888 TAB GT W80	80,0	200	1,15	2200	LF
11710120	LF 888 TAB GT W140	140,0	500	1,43		
11710121	LF 888 TAB GT W200	200,0	500	1,75		

## 880 M Catena curvilinea Sideflexing chain / Kurvengängige Scharnierbandkette

Delivery: **Easy** **Standard**

Pins: Ferritic Stainless Steel | Backflex radius min.: 50 mm



**MAGNETIC SYSTEM**

10 feet  
3.048 m  
80 links

pg. 88-89/108

pg. 115>128

pg. 651>661

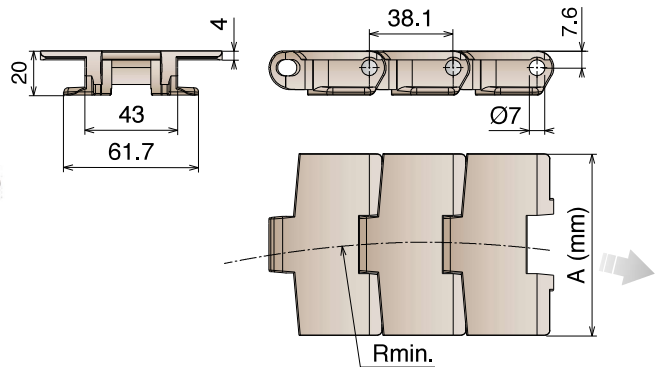
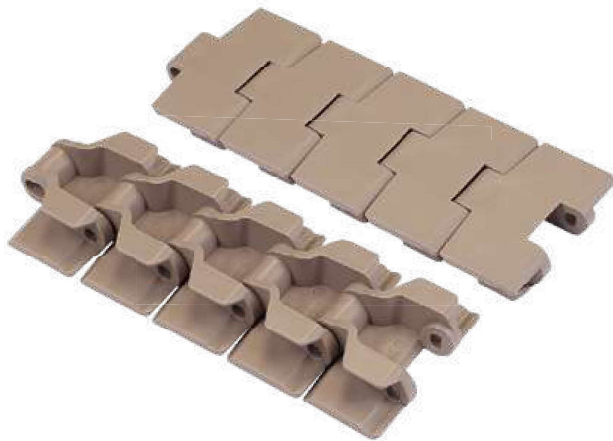
Article-Nr.	Ref.	A (Plate Width) mm	R mm	Weight kg/m	Max working load N	Material
11100102	LF 880 M K325	82,5	457	1,05	2200	LF
11100103	LF 880 M K330	83,8	457	1,09		
11100105	LF 880 M K450	114,3	457	1,15		
11100302	MX 880 M K325	82,5	457	1,05	1750	MX
11100303	MX 880 M K330	83,8	457	1,09		
11100305	MX 880 M K450	114,3	457	1,15		
11103002	PFX 880 M K325	82,5	457	1,05	1750	PFX
11103003	PFX 880 M K330	83,8	457	1,09		
11103005	PFX 880 M K450	114,3	457	1,15		
11102502	MPX 880 M K325	82,5	457	1,05	2200	MPX
11102503	MPX 880 M K330	83,8	457	1,09		
11102505	MPX 880 M K450	114,3	457	1,15		
11101702	MWX 880 M K325	82,5	457	1,05	2200	MWX
11101703	MWX 880 M K330	83,8	457	1,09		
11101705	MWX 880 M K450	114,3	457	1,15		



## 880 TAB Catena curvilinea Sideflexing chain / Kurvengängige Scharnierbandkette

Delivery: **Easy** **Standard**

Pins: Stainless Steel | Backflex radius min.: 40 mm



### TAB SYSTEM



80 links



pg. 88-89



pg. 163/175



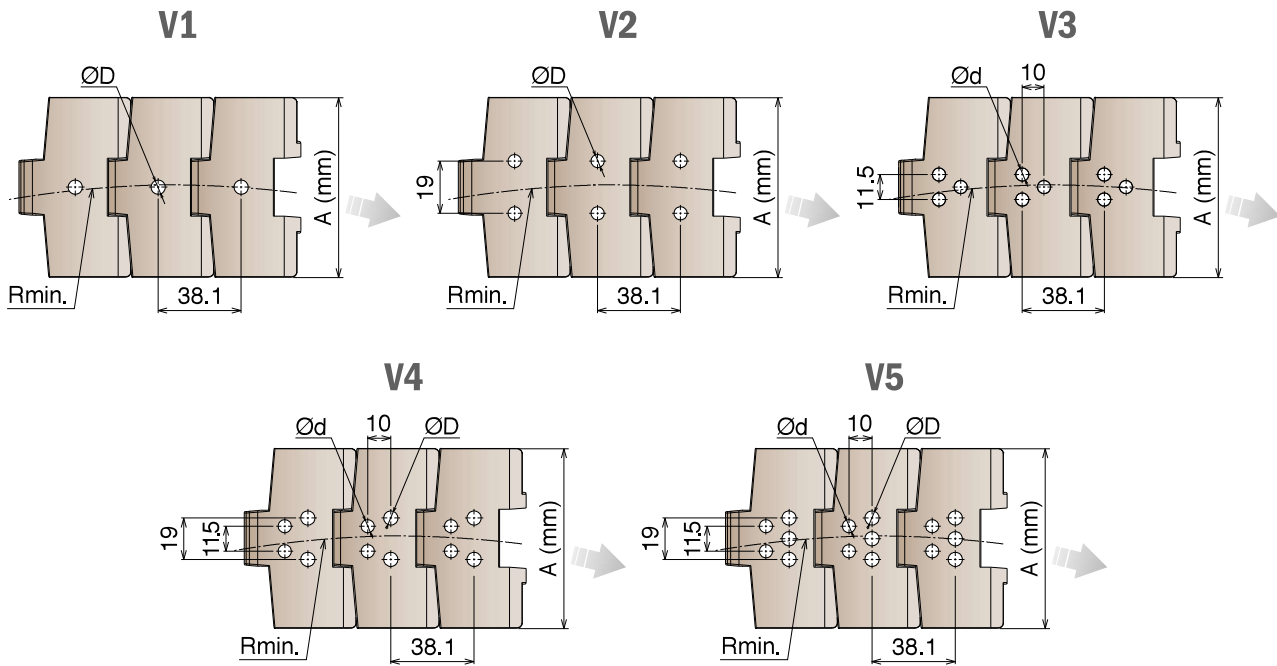
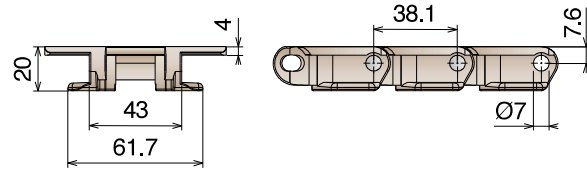
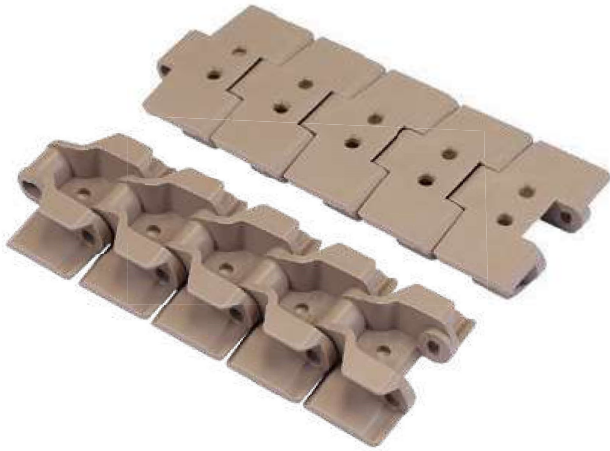
pg. 651->661

Article-Nr.	Ref.	A (Plate Width) mm	R mm	Weight kg/m	Max working load N	Material
11110102	LF 880 TAB K325	82,5	457	1,015	2200	LF
11110103	LF 880 TAB K330	83,8	457	1,018		
11110105	LF 880 TAB K450	114,3	457	1,09		
11110302	MX 880 TAB K325	82,5	457	1,015	1750	MX
11110303	MX 880 TAB K330	83,8	457	1,018		
11110305	MX 880 TAB K450	114,3	457	1,09		
11113002	PFX 880 TAB K325	82,5	457	1,015	1750	PFX
11113003	PFX 880 TAB K330	83,8	457	1,018		
11113005	PFX 880 TAB K450	114,3	457	1,09		
11112502	MPX 880 TAB K325	82,5	457	1,015	2200	MPX
11112503	MPX 880 TAB K330	83,8	457	1,018		
11112505	MPX 880 TAB K450	114,3	457	1,09		
11111602	DKM 880 TAB K325	82,5	457	1,015	2200	DKM
11111603	DKM 880 TAB K330	83,8	457	1,018		
11111605	DKM 880 TAB K450	114,3	457	1,09		
11111702	MWX 880 TAB K325	82,5	457	1,015	2200	MWX
11111703	MWX 880 TAB K330	83,8	457	1,018		
11111705	MWX 880 TAB K450	114,3	457	1,09		

## 880 V TAB Catena curvilinea Sideflexing chain / Kurvengängige Scharnierbandkette

Delivery: **Easy** **Standard**

Pins: Stainless Steel | Backflex radius min.: 40 mm



### TAB SYSTEM

10 feet  
3,048 m  
80 links

pg. 88-89

pg. 163/175

pg. 651-661

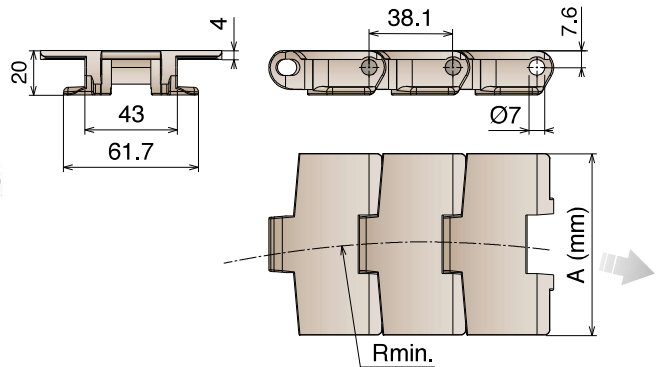
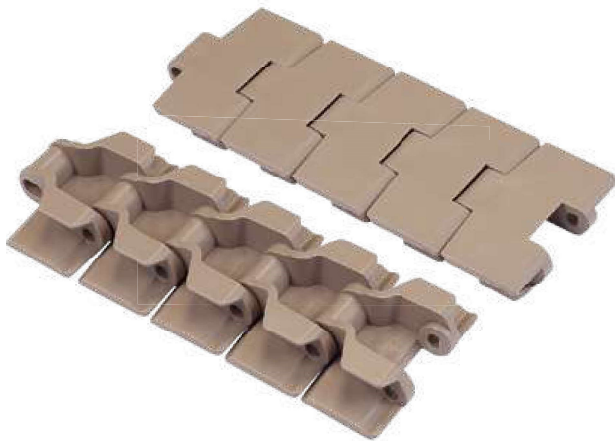
Article-Nr.	Ref.	A (Plate Width) mm	R mm	Weight kg/m	ØD mm	Ød mm	Max working load N	Material
11560102	LF 880 V1 K325	82,5	457	1,015	6,5	6	2200	LF
11570102	LF 880 V2 K325	82,5	457	1,015				
11580102	LF 880 V3 K325	82,5	457	1,015				
11560102-V4	LF 880 V4 K325	82,5	457	1,015				
11560102-V5	LF 880 V5 K325	82,5	457	1,015				
11570105	LF 880 V2 K450	114,3	457	1,09				

# 880 TAB Plastic pin-880 TAB BO

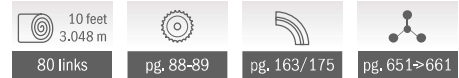
Catene in plastica / Plastic chains / Kunststoffkette

## 880 TAB Plastic pin Catena curvilinea con perno in plastica Sideflexing chain with plastic pin / Kurvengängige Scharnierbandkette mit plastic bolzen

Pins: Reinforced acetal resin | Backflex radius min.: 40 mm



### TAB SYSTEM

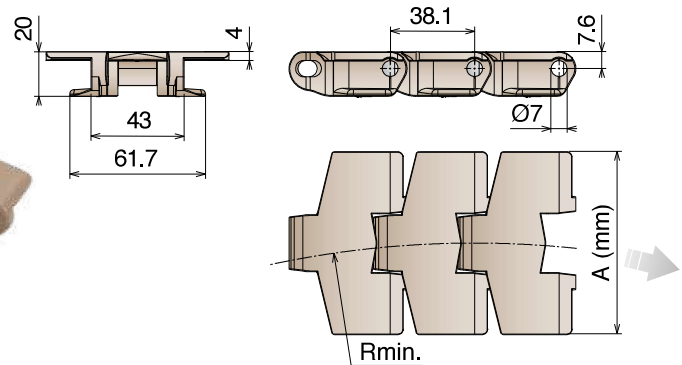
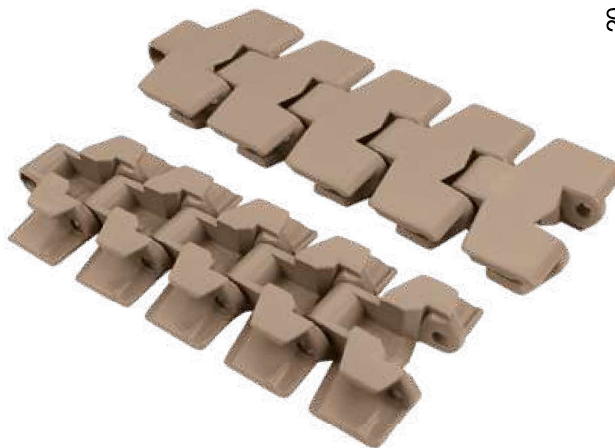


Article-Nr.	Ref.	A (Plate Width) mm	R mm	Weight kg/m	Max working load N	Material
11660102	LF 880 TAB K325	82,5	457	0,815	550	LF
11660105	LF 880 TAB K450	114,3	457	0,89		

## 880 TAB BO Catena curvilinea Sideflexing chain / Kurvengängige Scharnierbandkette

Delivery: **Easy** Standard

Pins: Stainless Steel | Backflex radius min.: 40 mm



### TAB SYSTEM

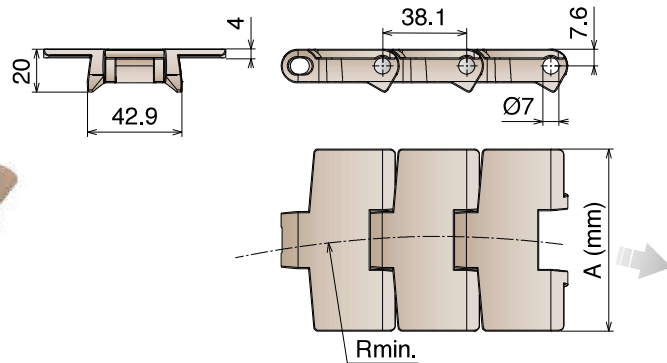


Article-Nr.	Ref.	A (Plate Width) mm	R mm	Weight kg/m	Max working load N	Material
11260102	LF 880 TAB BO K325	82,5	190	0,96	1680	LF
11260105	LF 880 TAB BO K450	114,3	190	1,10		
11260302	MX 880 TAB BO K325	82,5	190	0,96	1350	MX
11260305	MX 880 TAB BO K450	114,3	190	1,10		

## 880 B Catena curvilinea Sideflexing chain / Kurvengängige Scharnierbandkette

Delivery: **Easy** **Standard**

Pins: Stainless Steel | Backflex radius min.: 40 mm



### BEVEL SYSTEM



10 feet  
3.048 m



80 links



pg. 88-89



pg. 174

pg. 651>661

Article-Nr.	Ref.	A (Plate Width) mm	R mm	Weight kg/m	Max working load N	Material
11120102	LF 880 B K325	82,5	457	0,89	2200	LF
11120104	LF 880 B K350	88,9	457	0,93		
11120105	LF 880 B K450	114,3	457	1,05		
11120302	MX 880 B K325	82,5	457	0,89	1750	MX
11120304	MX 880 B K350	88,9	457	0,93		
11120305	MX 880 B K450	114,3	457	1,05		

# 882 M

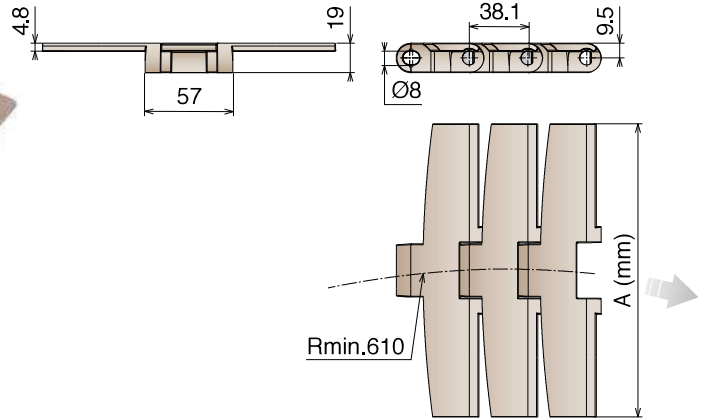
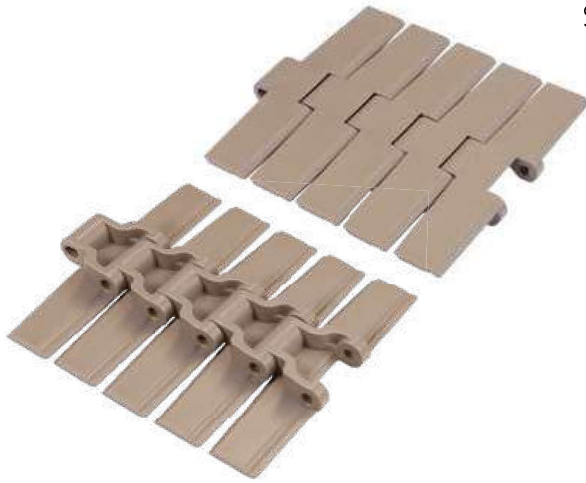
Catene in plastica / Plastic chains / Kunststoffkette

## 882 M

Catena curvilinea  
Sideflexing chain / Kurvengängige Scharnierbandkette

Delivery: **Easy** **Standard**

Pins: Ferritic Stainless Steel | Backflex radius min.: 50 mm



### MAGNETIC SYSTEM



10 feet  
3,048 m



pg. 90-91/110



pg. 131->136



pg. 651->661

80 links

Article-Nr.	Ref.	A (Plate Width) mm	Weight kg/m	Max working load N	Material
11130107	LF 882 M K750	190,5	2,14	3830	LF
11130108	LF 882 M K1000	254,0	2,45		
11130109	LF 882 M K1200	304,8	2,68		
11130307	MX 882 M K750	190,5	2,14	3050	MX
11130308	MX 882 M K1000	254,0	2,45		
11130309	MX 882 M K1200	304,8	2,68		

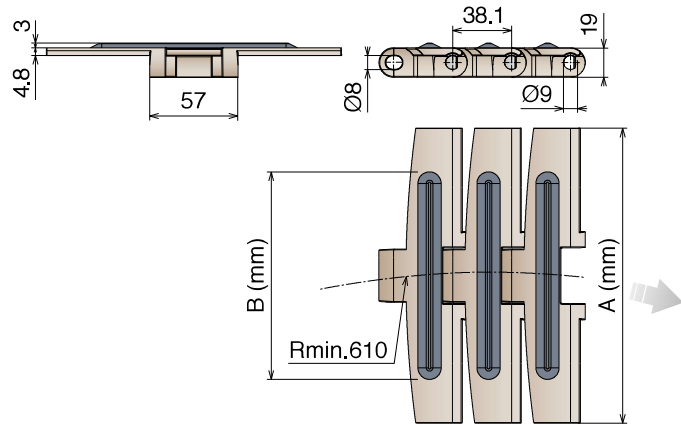
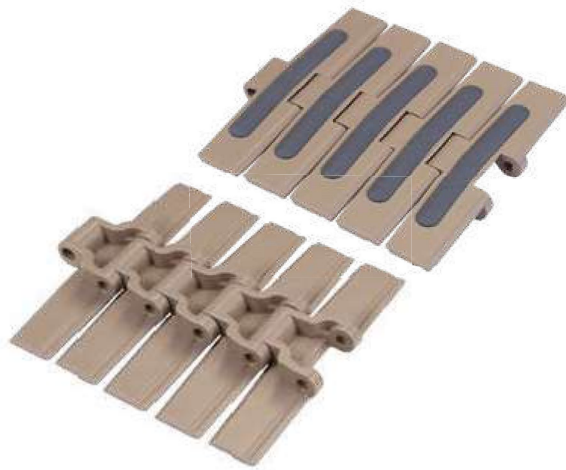


## 882 M GT

Catena curvilinea  
Sideflexing chain / Kurvengängige Scharnierbandkette

Delivery: **Easy** **Standard**

Pins: Ferritic Stainless Steel | Backflex radius min.: 50 mm | TPE Rubber: 50 ShA



### MAGNETIC SYSTEM

5 feet 1,524 m  
40 links

pg. 90-91/110

pg. 131->136

pg. 651->661

Article-Nr.	Ref.	A (Plate Width) mm	B (Rubber Width) mm	Weight kg/m	Max working load N	Material
11150107	LF 882 M GT K750	190,5	134,0	2,10	3830	LF
11150108	LF 882 M GT K1000	254,0	197,0	2,45		
11150109	LF 882 M GT K1200	304,8	249,0	2,74		

# 882 M LBP

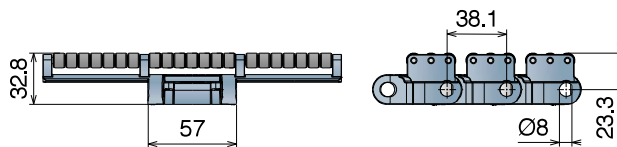
Catene in plastica / Plastic chains / Kunststoffkette

## 882 M LBP

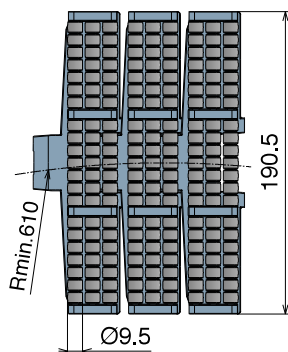
Catena curvilinea  
Sideflexing chain / Kurvengängige Scharnierbandkette

Delivery: **Easy** **Standard**

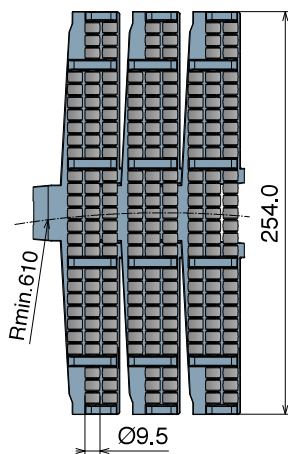
Pins: Ferritic Stainless Steel | Backflex radius min.: 150 mm



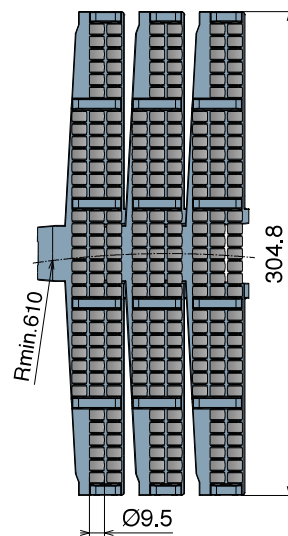
### K750



### K1000



### K1200



#### MAGNETIC SYSTEM

5 feet  
1.524 m  
40 links

pg. 90-91/110

pg. 137->140

pg. 651->661

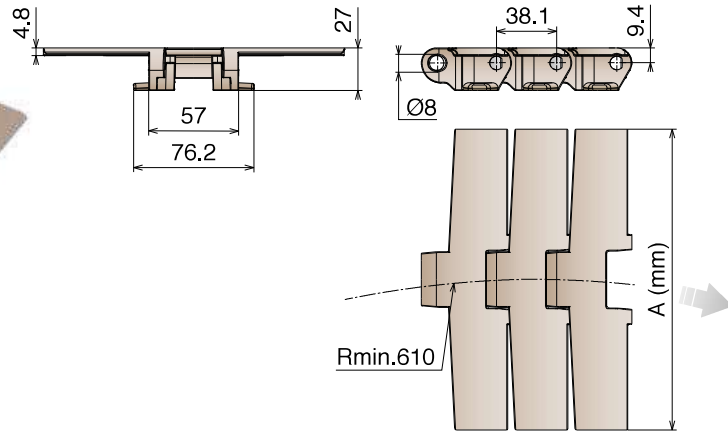
Article-Nr.	Ref.	A (Plate Width) mm	Weight kg/m	Max working load N	Material
11170107	LFA 882 M LBP K750	190,5	3,92	3830	LFA
11170108	LFA 882 M LBP K1000	254,0	4,94		
11170109	LFA 882 M LBP K1200	304,8	5,82		

## 882 TAB

Catena curvilinea  
Sideflexing chain / Kurvengängige Scharnierbandkette

Delivery: **Easy** **Standard**

Pins: Stainless Steel | Backflex radius min.: 40 mm



### TAB SYSTEM



10 feet  
3.048 m



80 links



pg. 90-91/110



pg. 166/175



pg. 651->661

Article-Nr.	Ref.	A (Plate Width) mm	Weight kg/m	Max working load N	Material
11140105	LF 882 TAB K450	114,3	2,05	3830	LF
11140106	LF 882 TAB K600	152,4	2,20		
11140107	LF 882 TAB K750	190,5	2,45		
11140108	LF 882 TAB K1000	254,0	2,85		
11140109	LF 882 TAB K1200	304,8	3,40		
11140305	MX 882 TAB K450	114,3	2,05	3050	MX
11140306	MX 882 TAB K600	152,4	2,20		
11140307	MX 882 TAB K750	190,5	2,45		
11140308	MX 882 TAB K1000	254,0	2,85		
11140309	MX 882 TAB K1200	304,8	3,40		
11142505	MPX 882 TAB K450	114,3	2,05	3830	MPX
11142506	MPX 882 TAB K600	152,4	2,20		
11142507	MPX 882 TAB K750	190,5	2,45		
11142508	MPX 882 TAB K1000	254,0	2,85		
11142509	MPX 882 TAB K1200	304,8	3,40		
11141705	MWX 882 TAB K450	114,3	2,05	3830	MWX
11141706	MWX 882 TAB K600	152,4	2,20		
11141707	MWX 882 TAB K750	190,5	2,45		
11141708	MWX 882 TAB K1000	254,0	2,85		
11141709	MWX 882 TAB K1200	304,8	3,40		

# 882 TAB GT

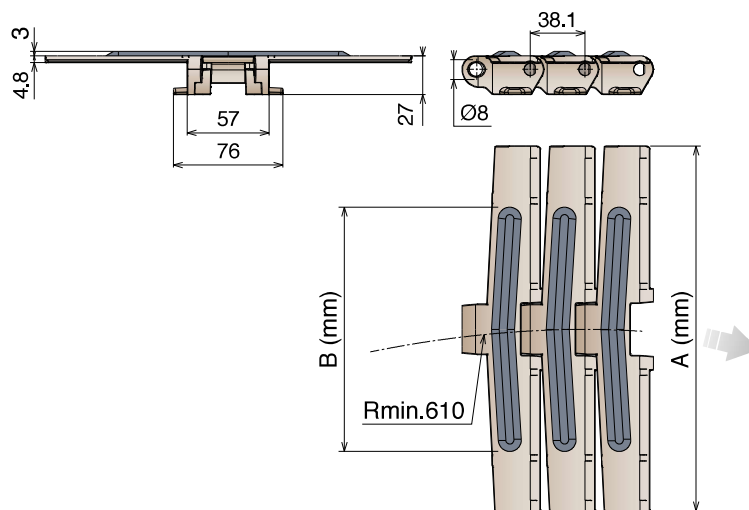
Catene in plastica / Plastic chains / Kunststoffkette

## 882 TAB GT

Catena curvilinea  
Sideflexing chain / Kurvengängige Scharnierbandkette

Delivery: **Easy** **Standard**

Pins: Stainless Steel | Backflex radius min.: 40 mm | TPE Rubber: 50 ShA



### TAB SYSTEM

5 feet  
1.524 m  
40 links

pg. 90-91/110

pg. 166/175

pg. 651->661

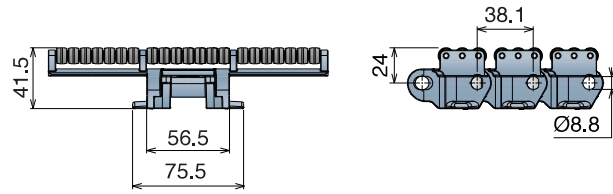
Article-Nr.	Ref.	A (Plate Width) mm	B (Rubber Width) mm	Weight kg/m	Max working load N	Material
11160107	LF 882 TAB GT K750	190,5	134,0	2,37	3830	LF
11160108	LF 882 TAB GT K1000	254,0	197,0	2,67		
11160109	LF 882 TAB GT K1200	304,8	249,0	2,92		
11160307	MX 882 TAB GT K750	190,5	134,0	2,37	3050	MX
11160308	MX 882 TAB GT K1000	254,0	197,0	2,67		
11160309	MX 882 TAB GT K1200	304,8	249,0	2,92		

## 882 TAB LBP

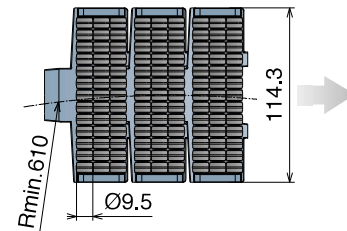
Catena curvilinea  
Sideflexing chain / Kurvengängige Scharnierbandkette

Delivery: **Easy** **Standard**

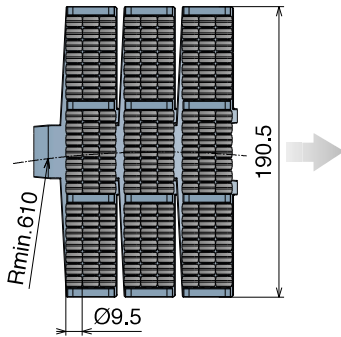
Pins: Stainless Steel | Backflex radius min.: 150 mm



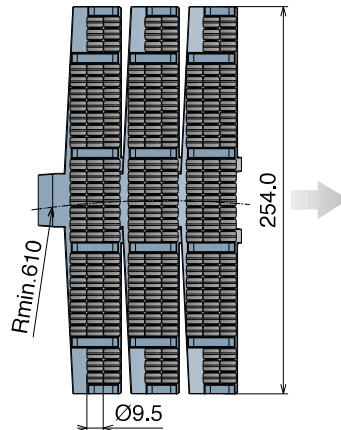
**K450**



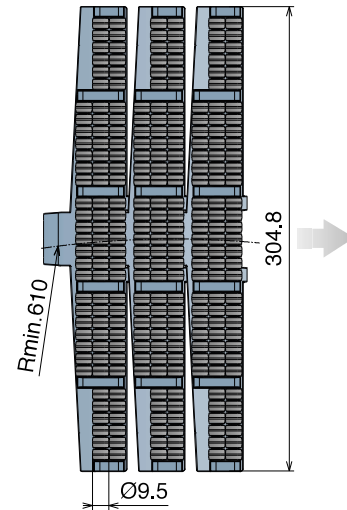
**K750**



**K1000**



**K1200**



**TAB SYSTEM**

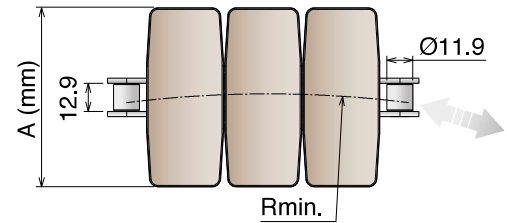
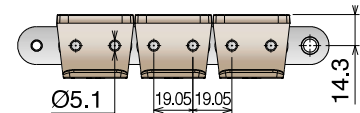
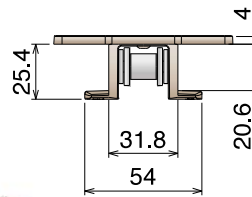
5 feet 1,524 m			
40 links	pg. 90-91/110	pg. 166/175	pg. 651>661

Article-Nr.	Ref.	Plate Width mm	Weight kg/m	Max working load N	Material
11180105	LFA 882 TAB LBP K450	114,3	4,00	3830	LFA
11180107	LFA 882 TAB LBP K750	190,5	4,70		
11180108	LFA 882 TAB LBP K1000	254,0	5,95		
11180109	LFA 882 TAB LBP K1200	304,8	6,55		

## 1873 Catena curvilinea Sideflexing chain / Kurvengängige Plattenbandkette

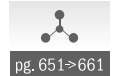
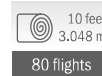
Delivery: **Easy** **Standard**

The stainless steel version is supplied with LONG-LIFE SS roller chain. | Backflex radius min.: 210 mm



Standard length roller chain: 160 Pitches

### TAB SYSTEM

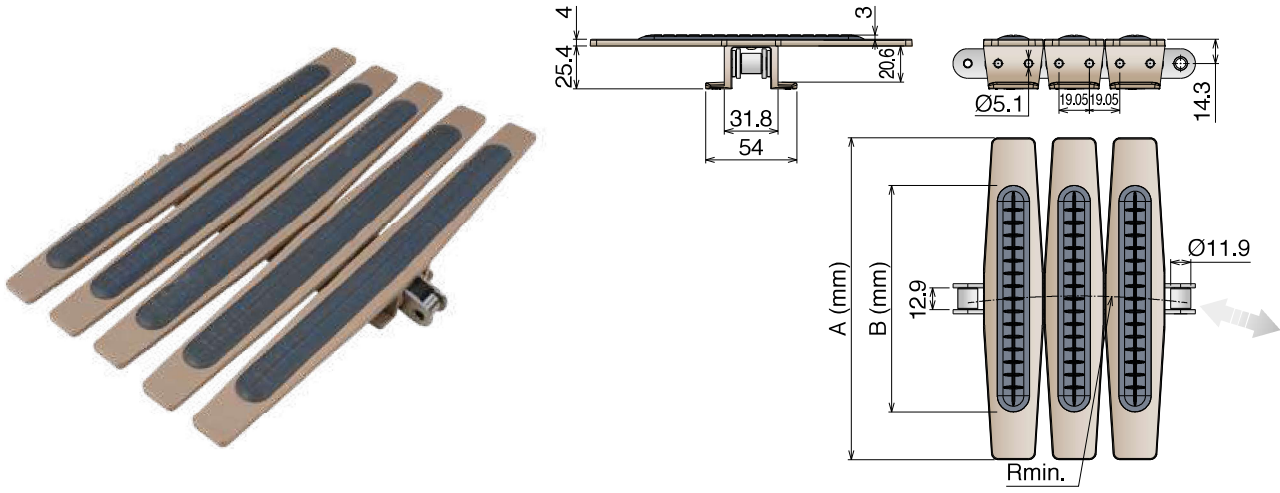


Article-Nr.	Chain	Ref.	A (Plate Width) mm	R mm	Weight kg/m	Max working load N	Backflex radius min. mm	Material
11590102	C45	LF 1873 TAB K325	82,5	355	2,10	4500	180	LF
11600102	Stainless Steel		82,5	355	2,10	3500		
11590105	C45	LF 1873 TAB K450	114,3	355	2,30	4500		
11600105	Stainless Steel		114,3	355	2,30	3500		
11590106	C45	LF 1873 TAB K600	152,4	457	2,40	4500		
11600106	Stainless Steel		152,4	457	2,40	3500		
11590107	C45	LF 1873 TAB K750	190,5	457	2,60	4500		
11600107	Stainless Steel		190,5	457	2,60	3500		
11590108	C45	LF 1873 TAB K1000	254,0	457	2,80	4500		
11600108	Stainless Steel		254,0	457	2,80	3500		
11590109	C45	LF 1873 TAB K1200	304,8	457	3,00	4500		
11600109	Stainless Steel		304,8	457	3,00	3500		
11590302	C45	MX 1873 TAB K325	82,5	355	2,10	4500	180	MX
11600302	Stainless Steel		82,5	355	2,10	3500		
11590305	C45	MX 1873 TAB K450	114,3	355	2,30	4500		
11600305	Stainless Steel		114,3	355	2,30	3500		
11590306	C45	MX 1873 TAB K600	152,4	457	2,40	4500		
11600306	Stainless Steel		152,4	457	2,40	3500		
11590307	C45	MX 1873 TAB K750	190,5	457	2,60	4500		
11600307	Stainless Steel		190,5	457	2,60	3500		
11590308	C45	MX 1873 TAB K1000	254,0	457	2,80	4500		
11600308	Stainless Steel		254,0	457	2,80	3500		
11590309	C45	MX 1873 TAB K1200	304,8	457	3,00	4500		
11600309	Stainless Steel		304,8	457	3,00	3500		

## 1873 GT

Catena curvilinea  
Sideflexing chain / Kurvengängige Plattenbandkette

Delivery: **Easy** **Standard** The stainless steel version is supplied with LONG-LIFE SS roller chain. | TPE Rubber: 75 ShA | Backflex radius min.: 210 mm



### TAB SYSTEM

10 feet  
3.048 m  
80 flights

**SPROCKET**  
ASA 60  
Standard on market

pg. 167/176

pg. 651->661

Standard lenght roller chain: 160 Pitches

Article-Nr.	Chain	Ref.	A (Plate Width) mm	B (Rubber Width) mm	Weight kg/m	Max working load N	Sideflex radius min, mm	Material
11610107	C45	LF 1873 GT TAB K750	190,5	134,0	2,60	4500	457	LF
11620107	Stainless Steel		190,5	134,0	2,60	3500		
11610108	C45	LF 1873 GT TAB K1000	254,0	192,0	2,80	4500		
11620108	Stainless Steel		254,0	192,0	2,80	3500		
11610109	C45	LF 1873 GT TAB K1200	304,8	252,0	3,00	4500		
11620109	Stainless Steel		304,8	252,0	3,00	3500		



# 1873 GRIPPER GS1

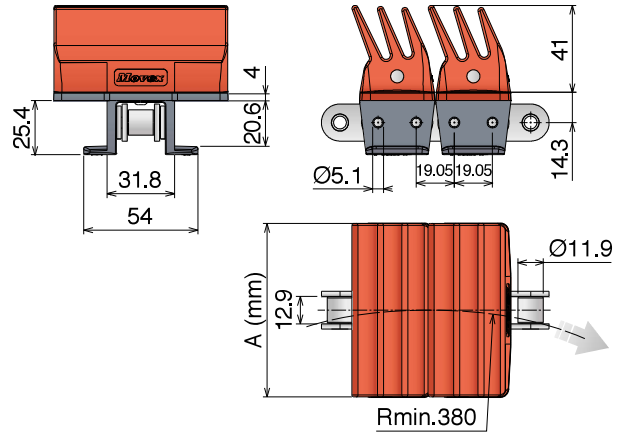
Catene in plastica / Plastic chains / Kunststoffkette

## 1873 GRIPPER GS1

Catena curvilinea  
Sideflexing chain / Kurvengängige Plattenbandkette

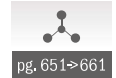
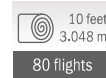
Delivery: **Easy** **Standard**

The stainless steel version is supplied with LONG-LIFE SS roller chain. | Backflex radius min.: 150 mm



Standard length roller chain: 160 Pitches

### TAB SYSTEM



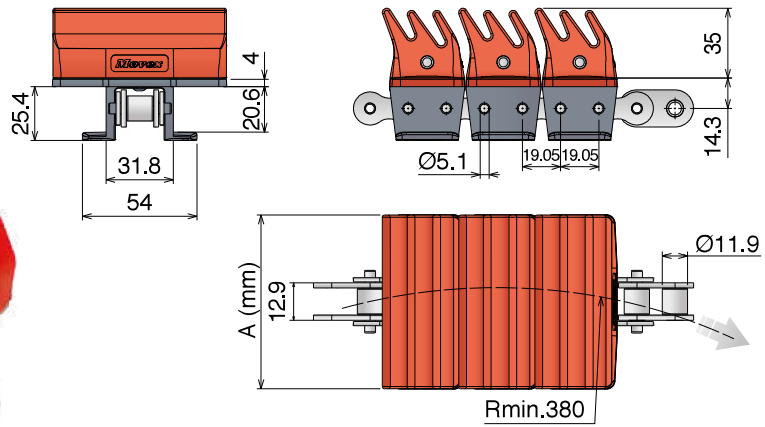
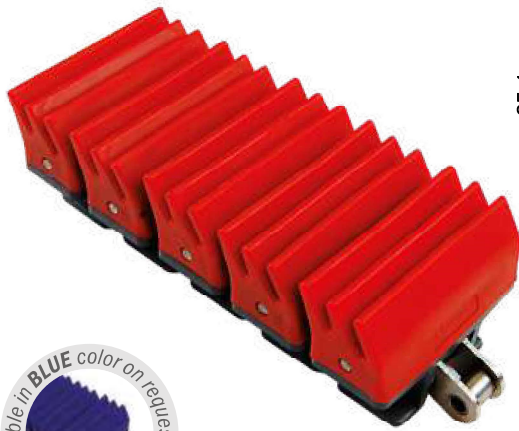
Article-Nr.	Chain	Ref.	A (Width) mm	Max working load N	Weight kg/m	Rubber	Material
11200102	C45	1873 TAB K325 GR	82,5	4500	4,354	Material: TPR Color: Red	LFD
11200105		1873 TAB K450 GR	114,3				
11200202	Nickel Plated Steel	1873 NP TAB K325 GR	82,5	4500	4,354		
11200205		1873 NP TAB K450 GR	114,3				
11200302	Stainless Steel	1873 SS TAB K325 GR	82,5	3500	4,354		
11200305		1873 SS TAB K450 GR	114,3				
11320102	C45	1873 TAB K325 GR	82,5	4500	4,354	Material: TPR Color: Red	MX
11320105		1873 TAB K450 GR	114,3				
11320202	Nickel Plated Steel	1873 NP TAB K325 GR	82,5	4500	4,354		
11320205		1873 NP TAB K450 GR	114,3				
11320302	Stainless Steel	1873 SS TAB K325 GR	82,5	3500	4,354		
11320305		1873 SS TAB K450 GR	114,3				
11210102	C45	1873 TAB K325 GR	82,5	4500	4,354	Material: EPDM-PP Color: Black	PP
11210105		1873 TAB K450 GR	114,3				
11210202	Nickel Plated Steel	1873 NP TAB K325 GR	82,5	4500	4,354		
11210205		1873 NP TAB K450 GR	114,3				
11210302	Stainless Steel	1873 SS TAB K325 GR	82,5	3500	4,354		
11210305		1873 SS TAB K450 GR	114,3				
11330102	C45	1873 TAB K325 GR	82,5	4500	4,354	Material: TPR Color: Red	MWX
11330105		1873 TAB K450 GR	114,3				
11330202	Nickel Plated Steel	1873 NP TAB K325 GR	82,5	4500	4,354		
11330205		1873 NP TAB K450 GR	114,3				
11330302	Stainless Steel	1873 SS TAB K325 GR	82,5	3500	4,354		
11330305		1873 SS TAB K450 GR	114,3				

## 1873 GRIPPER GS2

Catena curvilinea  
Sideflexing chain / Kurvengängige Plattenbandkette

Delivery: **Easy** **Standard**

The stainless steel version is supplied with LONG-LIFE SS roller chain. | Backflex radius min.: 150 mm



### TAB SYSTEM

10 feet  
3.048 m  
80 flights

**SPROCKET**  
ASA 60  
Standard on  
market

pg. 167/176

pg. 651>661

Standard lenght roller chain: 160 Pitches

Article-Nr.	Chain	Ref.	A (Width) mm	Max working load N	Weight kg/m	Rubber	Material
<b>11280102</b>	C45	<b>1873 TAB K325 GR</b>	82,5	4500	4,354	Material: TPR Color: Red	<b>LFD</b>
<b>11280105</b>		<b>1873 TAB K450 GR</b>	114,3				
<b>11280202</b>	Nickel Plated Steel	<b>1873 NP TAB K325 GR</b>	82,5	4500	4,354		
<b>11280205</b>		<b>1873 NP TAB K450 GR</b>	114,3				
<b>11280302</b>	Stainless Steel	<b>1873 SS TAB K325 GR</b>	82,5	3500	4,354		
<b>11280305</b>		<b>1873 SS TAB K450 GR</b>	114,3				
<b>11340102</b>	C45	<b>1873 TAB K325 GR</b>	82,5	4500	4,354	Material: TPR Color: Red	<b>MX</b>
<b>11340105</b>		<b>1873 TAB K450 GR</b>	114,3				
<b>11340202</b>	Nickel Plated Steel	<b>1873 NP TAB K325 GR</b>	82,5	4500	4,354		
<b>11340205</b>		<b>1873 NP TAB K450 GR</b>	114,3				
<b>11340302</b>	Stainless Steel	<b>1873 SS TAB K325 GR</b>	82,5	3500	4,354		
<b>11340305</b>		<b>1873 SS TAB K450 GR</b>	114,3				
<b>11290102</b>	C45	<b>1873 TAB K325 GR</b>	82,5	4500	4,354	Material: EPDM-PP Color: Black	<b>PP</b>
<b>11290105</b>		<b>1873 TAB K450 GR</b>	114,3				
<b>11290202</b>	Nickel Plated Steel	<b>1873 NP TAB K325 GR</b>	82,5	4500	4,354		
<b>11290205</b>		<b>1873 NP TAB K450 GR</b>	114,3				
<b>11290302</b>	Stainless Steel	<b>1873 SS TAB K325 GR</b>	82,5	3500	4,354		
<b>11290305</b>		<b>1873 SS TAB K450 GR</b>	114,3				
<b>11350102</b>	C45	<b>1873 TAB K325 GR</b>	82,5	4500	4,354	Material: TPR Color: Red	<b>MWX</b>
<b>11350105</b>		<b>1873 TAB K450 GR</b>	114,3				
<b>11350202</b>	Nickel Plated Steel	<b>1873 NP TAB K325 GR</b>	82,5	4500	4,354		
<b>11350205</b>		<b>1873 NP TAB K450 GR</b>	114,3				
<b>11350302</b>	Stainless Steel	<b>1873 SS TAB K325 GR</b>	82,5	3500	4,354		
<b>11350305</b>		<b>1873 SS TAB K450 GR</b>	114,3				

# 1873 GRIPPER GS4

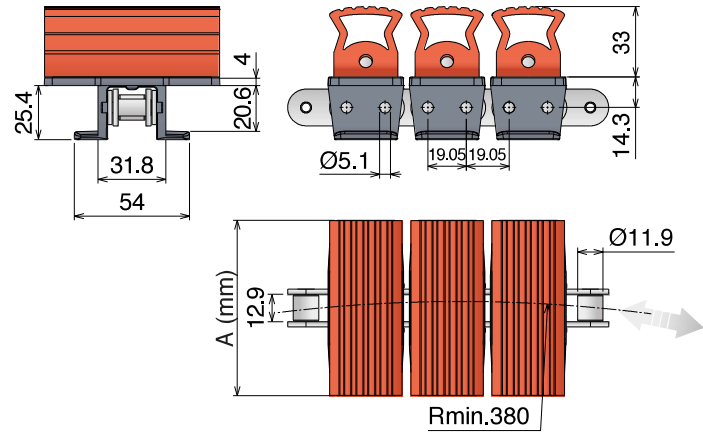
Catene in plastica / Plastic chains / Kunststoffkette

## 1873 GRIPPER GS4

Catena curvilinea  
Sideflexing chain / Kurvengängige Plattenbandkette

Delivery: **Easy** Standard

The stainless steel version is supplied with LONG-LIFE SS roller chain. | Backflex radius min.: 400 mm



### TAB SYSTEM

10 feet  
3.048 m  
80 flights

SPROCKET  
ASA 60  
Standard on market

pg. 167/176

pg. 651->661

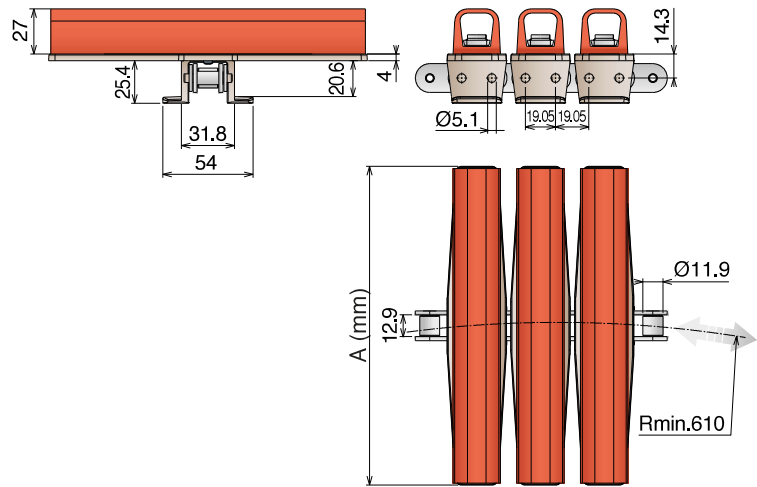
Standard length roller chain: 160 Pitches

Article-Nr.	Chain	Ref.	A (Width) mm	Max working load N	Weight kg/m	Rubber	Material	
11830102	C45	1873 TAB K325 GR	82,5	4500	4,15		LFD	
11830105		1873 TAB K450 GR	114,3					4,70
11830202	Nickel Plated Steel	1873 NP TAB K325 GR	82,5	4500	4,15	Material: TPR		
11830205		1873 NP TAB K450 GR	114,3			4,70		Color: Red
11830302	Stainless Steel	1873 SS TAB K325 GR	82,5	3500	4,15			
11830305		1873 SS TAB K450 GR	114,3					4,70
11840102	C45	1873 TAB K325 GR	82,5	4500	4,15			MX
11840105		1873 TAB K450 GR	114,3					
11840202	Nickel Plated Steel	1873 NP TAB K325 GR	82,5	4500	4,15	Material: TPR		
11840205		1873 NP TAB K450 GR	114,3			4,70		
11840302	Stainless Steel	1873 SS TAB K325 GR	82,5	3500	4,15			
11840305		1873 SS TAB K450 GR	114,3				4,70	
11850102	C45	1873 TAB K325 GR	82,5	4500	4,15		PP	
11850105		1873 TAB K450 GR	114,3					
11850202	Nickel Plated Steel	1873 NP TAB K325 GR	82,5	4500	4,15	Material: EPDM-PP		
11850205		1873 NP TAB K450 GR	114,3			4,70		
11850302	Stainless Steel	1873 SS TAB K325 GR	82,5	3500	4,15			
11850305		1873 SS TAB K450 GR	114,3					4,70
11860102	C45	1873 TAB K325 GR	82,5	4500	4,15			MWX
11860105		1873 TAB K450 GR	114,3					
11860202	Nickel Plated Steel	1873 NP TAB K325 GR	82,5	4500	4,15	Material: TPR		
11860205		1873 NP TAB K450 GR	114,3			4,70		
11860302	Stainless Steel	1873 SS TAB K325 GR	82,5	3500	4,15			
11860305		1873 SS TAB K450 GR	114,3				4,70	

## 1873 D-SHAPE

Catena curvilinea  
Sideflexing chain / Kurvengängige Plattenbandkette

The stainless steel version is supplied with LONG-LIFE SS roller chain. | Backflex radius min.: 200 mm



**SPROCKET**  
ASA 60  
Standard on market



**TAB SYSTEM**

Standard length roller chain: 160 Pitches

Article-Nr.	Chain	Ref.	A (Width) mm	Max working load N	Weight kg/m	Rubber	Material
<b>11870106</b>	C45	<b>1873 TAB K600 D</b>	152,4	4500	4,00	Material: TPR Color: Red	LF
<b>11870107</b>		<b>1873 TAB K750 D</b>	190,5				
<b>11870206</b>	Nickel Plated Steel	<b>1873 NP TAB K600 D</b>	152,4	4500	4,00		
<b>11870207</b>		<b>1873 NP TAB K750 D</b>	190,5				
<b>11870306</b>	Stainless Steel	<b>1873 SS TAB K600 D</b>	152,4	3500	4,00		
<b>11870307</b>		<b>1873 SS TAB K750 D</b>	190,5				
<b>11880106</b>	C45	<b>1873 TAB K600 D</b>	152,4	4500	4,00	Material: TPR Color: Red	MX
<b>11880107</b>		<b>1873 TAB K750 D</b>	190,5				
<b>11880206</b>	Nickel Plated Steel	<b>1873 NP TAB K600 D</b>	152,4	4500	4,00		
<b>11880207</b>		<b>1873 NP TAB K750 D</b>	190,5				
<b>11880306</b>	Stainless Steel	<b>1873 SS TAB K600 D</b>	152,4	3500	4,00		
<b>11880307</b>		<b>1873 SS TAB K750 D</b>	190,5				
<b>11890106</b>	C45	<b>1873 TAB K600 D</b>	152,4	4500	4,00	Material: EPDM-PP Color: Black	MPX
<b>11890107</b>		<b>1873 TAB K750 D</b>	190,5				
<b>11890206</b>	Nickel Plated Steel	<b>1873 NP TAB K600 D</b>	152,4	4500	4,00		
<b>11890207</b>		<b>1873 NP TAB K750 D</b>	190,5				
<b>11890306</b>	Stainless Steel	<b>1873 SS TAB K600 D</b>	152,4	3500	4,00		
<b>11890307</b>		<b>1873 SS TAB K750 D</b>	190,5				



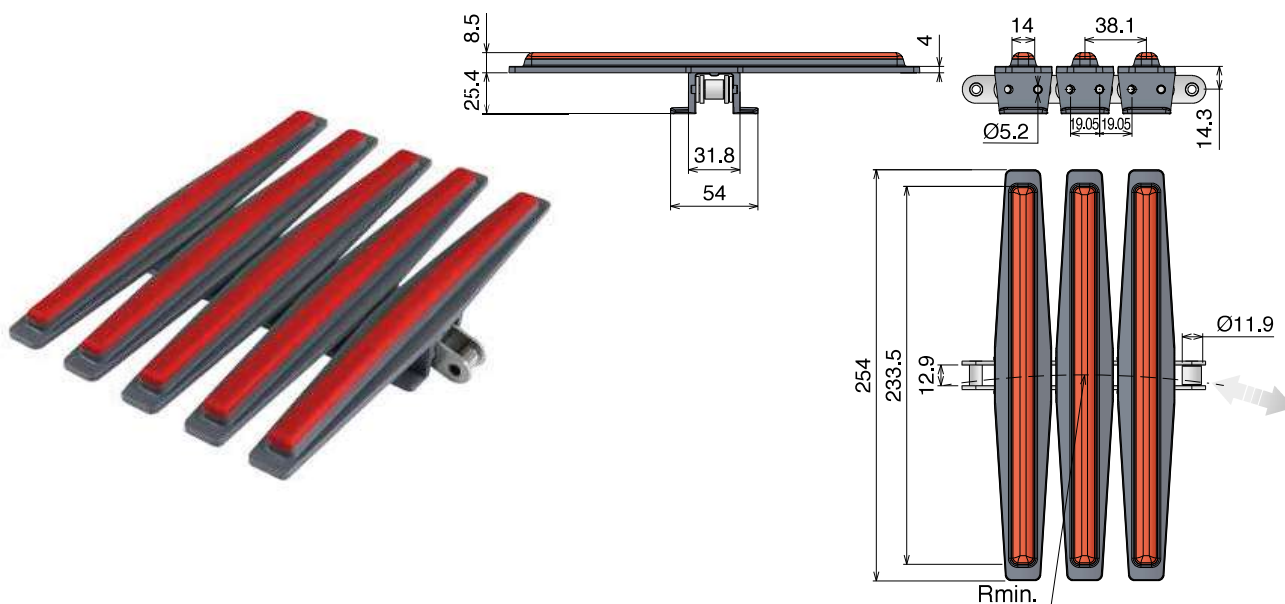
# 1873 MX1

Catene in plastica / Plastic chains / Kunststoffkette

## 1873 MX1 Catena curvilinea Sideflexing chain / Kurvengängige Plattenbandkette

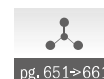
**RANGE EXTENSION**

The stainless steel version is supplied with LONG-LIFE SS roller chain. | TPE Rubber: 75 Sha | Backflex radius min.: 200 mm



Standard length roller chain: 160 Pitches

**TAB SYSTEM**



Article-Nr.	Chain	Ref.	Plate Width mm	Weight kg/m	Max working load N	Sideflex radius min. mm	Material
11790108	C45	1873 LF TAB K1000	254,0	2,80	4500	457	LF
11780108	Nickel Plated Steel				4500		
11690108	Stainless Steel				3500		
11790308	C45	1873 MX TAB K1000	254,0	2,80	4500	457	MX
11780308	Nickel Plated Steel				4500		
11690308	Stainless Steel				3500		

## 1873 MX1

Chain for hot-fill applications, neck & cap sterilizing.

### Care

Designed to keep the products in the correct position during the twist movement.

### Temperature resistance

The rubber is developed for and perfectly resistant against the higher temperatures of the hot-filled products.

### Long life roller chain

Special hardened pins and bushing guarantee a longer lifetime. Chain can twist 90° in 1500 mm.

### Product stability

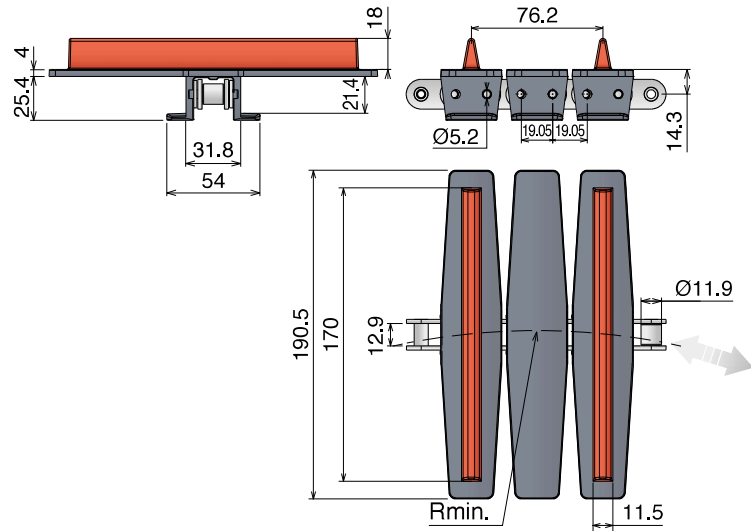
The new developed design guarantees a perfect connection between rubber and plate.



## 1873 MX2 Catena curvilinea Sideflexing chain / Kurvengängige Plattenbandkette

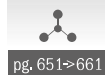
**RANGE EXTENSION**

The stainless steel version is supplied with LONG-LIFE SS roller chain. | TPE Rubber: 75 ShA | Backflex radius min.: 200 mm



Standard length roller chain: 160 Pitches

**TAB SYSTEM**



Article-Nr.	Chain	Ref.	Plate Width mm	Weight kg/m	Max working load N	Sideflex radius min. mm	Material
11770107	C45				4500		LF
11760107	Nickel Plated Steel	1873 LF TAB K750	190,5	2,60	4500	457	
11670107	Stainless Steel				3500		
11770307	C45				4500		MX
11760307	Nickel Plated Steel	1873 MX TAB K750	190,5	2,60	4500	457	
11670307	Stainless Steel				3500		

## 1873 MX2

Chain for twisting cans

### Care

Designed to twist cans without pressure.

### Temperature resistance

Materials are suitable for use at high temperatures.

### Long life roller chain

Special hardened pins and bushing guarantee a longer lifetime. Chain can twist 90° in 1500 mm.

### Product stability

The flights assure the position of the cans also at higher speed.



# 878 GRIPPER GS1/GS2/GS4

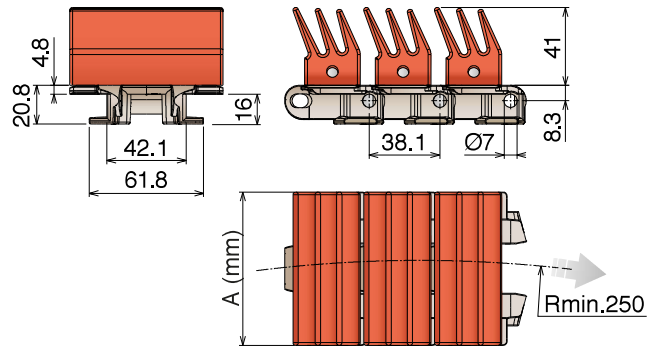
Catene in plastica / Plastic chains / Kunststoffkette

## 878 GRIPPER

Catena curvilinea  
Sideflexing chain / Kurvengängige Scharnierbandkette

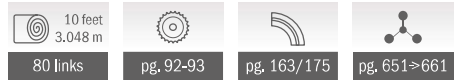
Delivery: **Easy** **Standard**

Backflex radius min. **GS1:** 100 mm - **GS2:** 180 mm - **GS4:** 380 mm

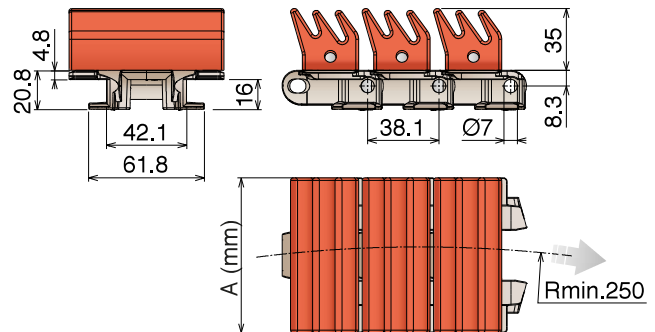


### GS1

**TAB SYSTEM**

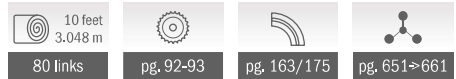


Article-Nr.	Ref.	A (Plate Width) mm	R mm	Weight kg/m	Max working load N	Rubber	Material
11800102	LF 878 GS1 K325	82,5	250	4,65	2200	TPR	LF

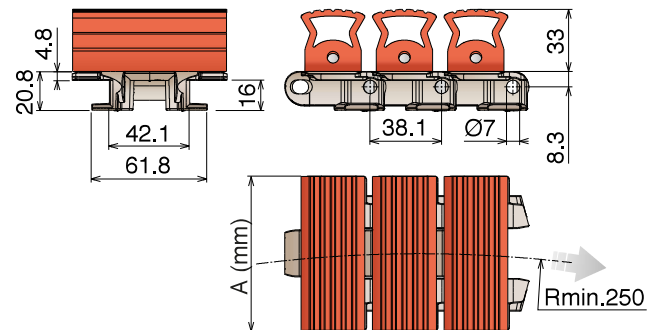


### GS2

**TAB SYSTEM**

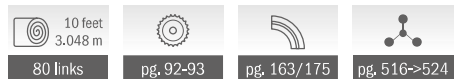


Article-Nr.	Ref.	A (Plate Width) mm	R mm	Weight kg/m	Max working load N	Rubber	Material
11810102	LF 878 GS2 K325	82,5	250	4,05	2200	TPR	LF



### GS4

**TAB SYSTEM**



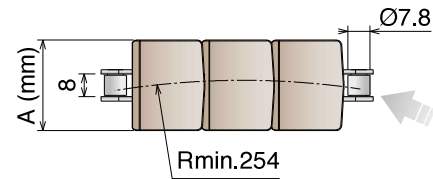
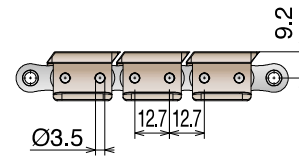
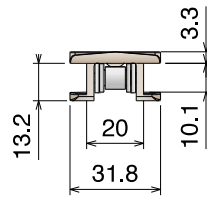
Article-Nr.	Ref.	A (Plate Width) mm	R mm	Weight kg/m	Max working load N	Rubber	Material
11820102	LF 878 GS4 K325	82,5	250	4,10	2200	TPR	LF



## 1843 Catena curvilinea Sideflexing chain / Kurvengängige Plattenbandkette

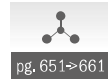
Delivery: **Easy** **Standard**

Backflex radius min.: 80 mm



Standard length roller chain: 240 Pitches

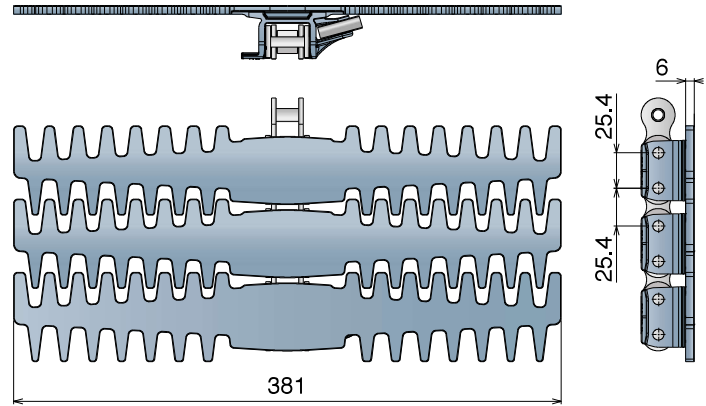
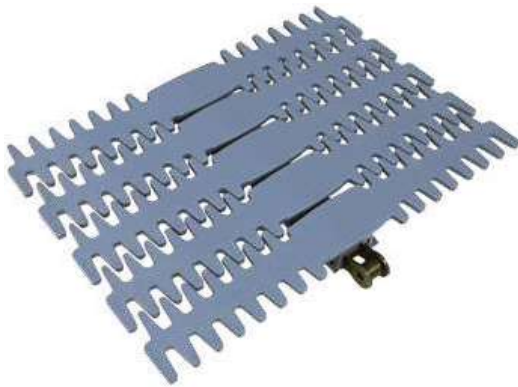
**TAB SYSTEM**



Article-Nr.	Chain	Ref.	A (Plate Width) mm	R mm	Weight kg/m	Max working load N	Backflex radius min. mm	Material
11400117	C45	LF 1843 TAB K125	31,8	254	0,74	2700	50	LF
11410117	Stainless Steel		31,8	254	0,74	1900		
11400119	C45	LF 1843 TAB K200	50,8	254	0,89	2700		
11410119	Stainless Steel		50,8	254	0,89	1900		
11400317	C45	MX 1843 TAB K125	31,8	254	0,74	2700	50	MX
11410317	Stainless Steel		31,8	254	0,74	1900		
11400319	C45	MX 1843 TAB K200	50,8	254	0,89	2700		
11410319	Stainless Steel		50,8	254	0,89	1900		

## SP 1883 Catena curvilinea Sideflexing chain / Kurvengängige Plattenbandkette

Backflex radius min.: 350 mm

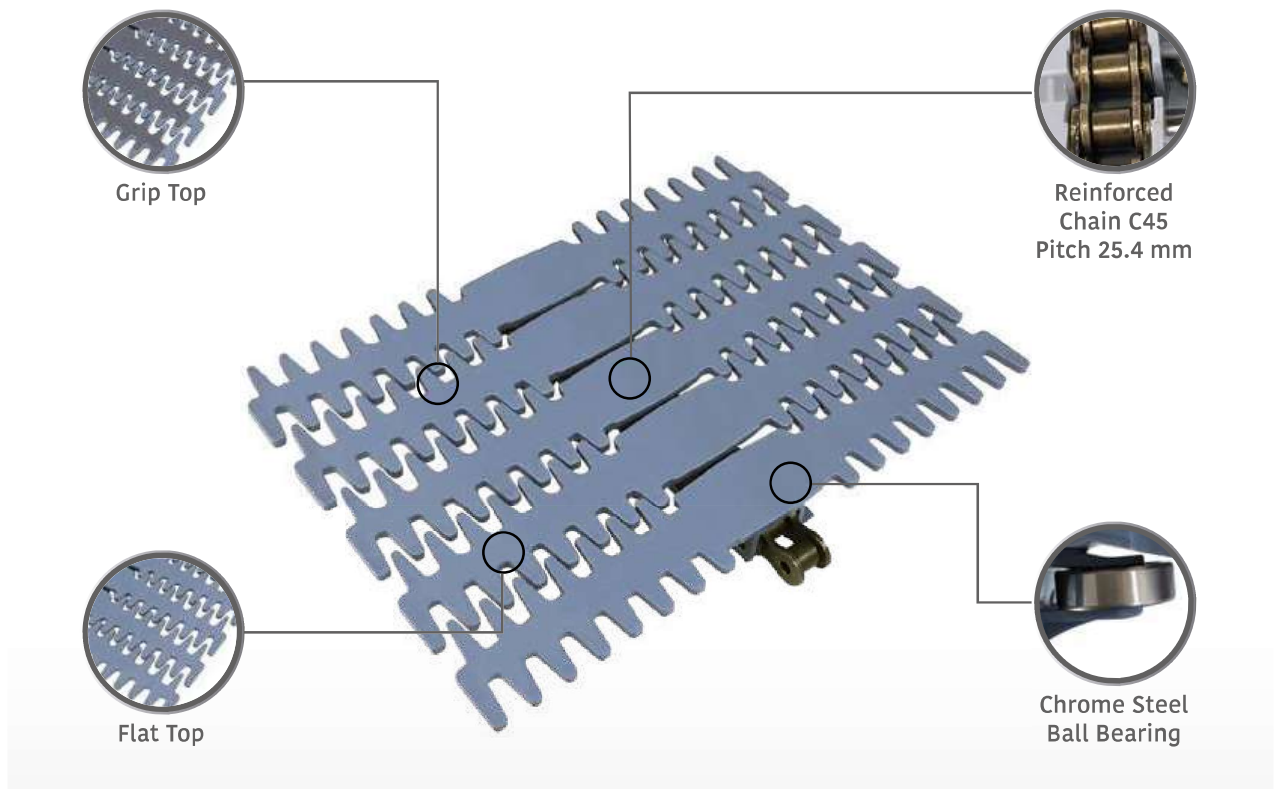


Standard length roller chain: 120 Pitches

10 feet 3.048 m	<b>SPROCKET</b> ASA 80 Standard on market	
60 links		pg. 651->661

Article-Nr.	Chain	Ref.	Plate Width mm	Weight kg/m	Max working load N	Sideflex radius min. mm	Material
11640110	C45	LFA SP 1883 TAB K1500	381,0	12,5	6500	711	LFA

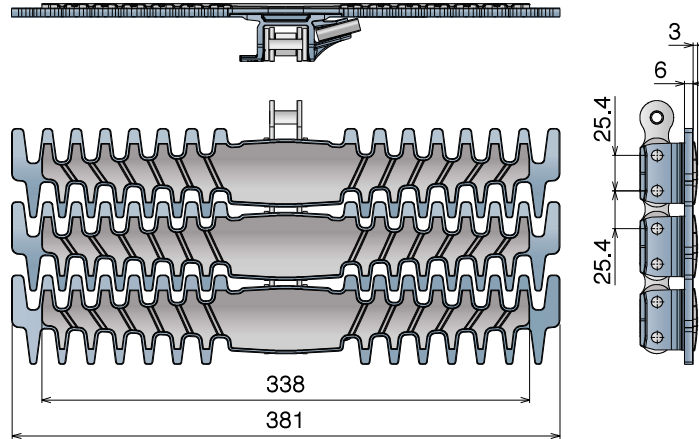
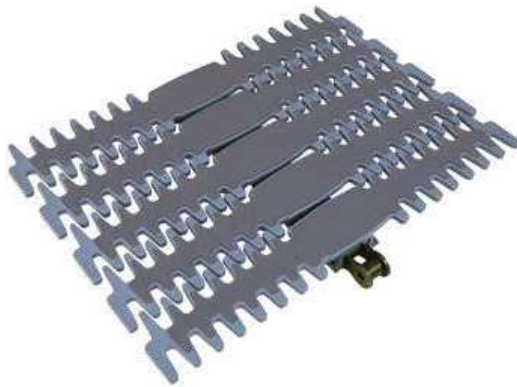
## Max Speed High Performance



## SP 1883 GT

Catena curvilinea  
Sideflexing chain / Kurvengängige Plattenbandkette

Backflex radius min.: 350 mm



**SPROCKET**  
ASA 80  
Standard on  
market



Standard lenght roller chain: 120 Pitches

Article-Nr.	Chain	Ref.	Plate Width mm	Weight kg/m	Max working load N	Sideflex radius min, mm	Material
11650110	C45	LFA SP 1883 GTTAB K1500	381,0	13,0	6500	711	LFA



# CC 600-CC 600 TAB

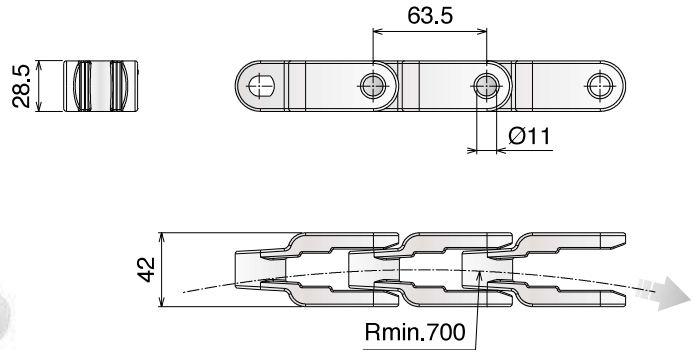
Catene in plastica / Plastic chains / Kunststoffkette

## CC 600

Catena curvilinea  
Sideflexing chain / Kurvengängige Scharnierbandkette

Delivery: **Easy** **Standard**

Pins: Stainless Steel | Backflex radius min.: 50 mm



10 feet  
3,048 m  
 48 links  
 pg. 97  
 pg. 651->661

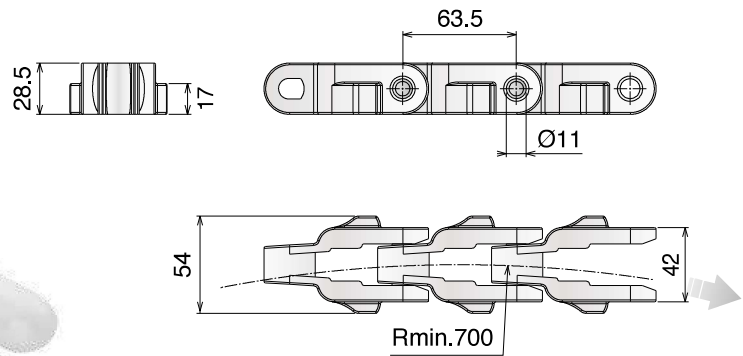
Article-Nr.	Ref.	Plate Width mm	Weight kg/m	Max working load N	Material
11220400	CC 600	42	1,35	4000	LFN
11220300	CC 600	42	1,35	3200	MX

## CC 600 TAB

Catena curvilinea  
Sideflexing chain / Kurvengängige Scharnierbandkette

Delivery: **Easy** **Standard**

Pins: Stainless Steel | Backflex radius min.: 50 mm



**TAB SYSTEM**

10 feet  
3,048 m  
 48 links  
 pg. 97  
 pg. 651->661

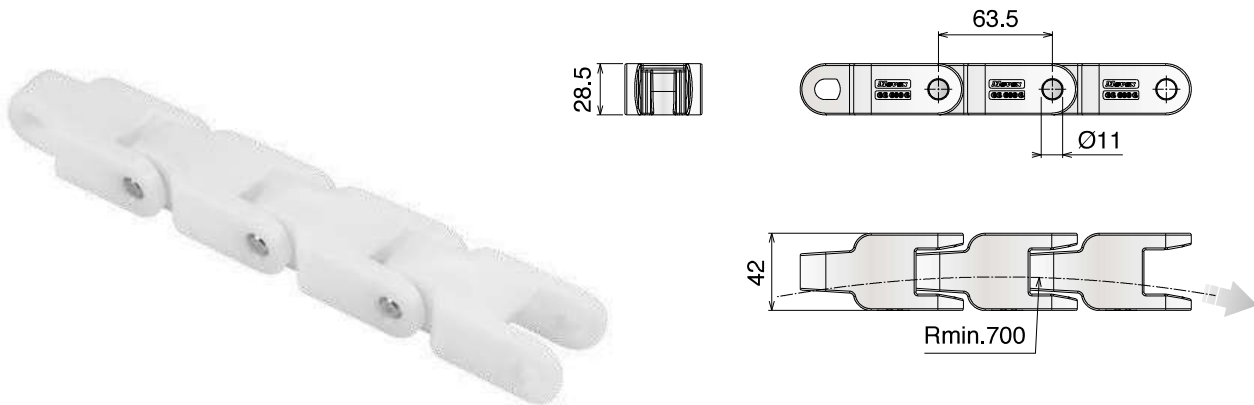
Article-Nr.	Ref.	Plate Width mm	Weight kg/m	Max working load N	Material
11230400	CC 600 TAB	42	1,45	4000	LFN
11230300	CC 600 TAB	42	1,45	3200	MX

## CC 600 D

Catena curvilinea  
Sideflexing chain / Kurvengängige Scharnierbandkette

Delivery: **Easy** **Standard**

Pins: Stainless Steel | Backflex radius min.: 50 mm



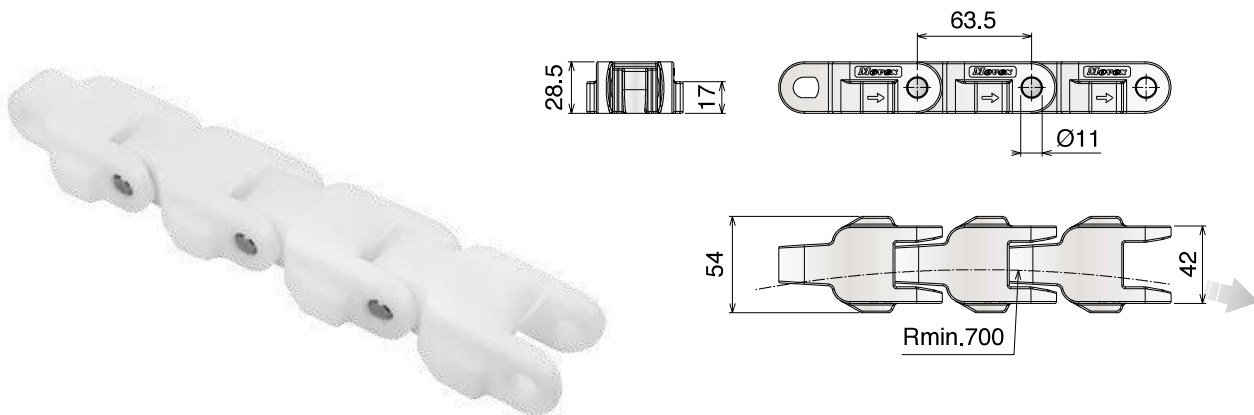
Article-Nr.	Ref.	Plate Width mm	Weight kg/m	Max working load N	Material
11220410	CC 600 D	42	1,40	4000	LFN
11220310	CC 600 D	42	1,40	3200	MX

## CC 600 D TAB

Catena curvilinea  
Sideflexing chain / Kurvengängige Scharnierbandkette

Delivery: **Easy** **Standard**

Pins: Stainless Steel | Backflex radius min.: 50 mm



**TAB SYSTEM**

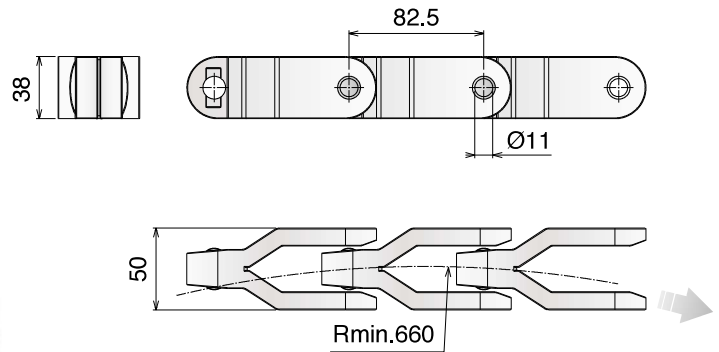
Article-Nr.	Ref.	Plate Width mm	Weight kg/m	Max working load N	Material
11230410	CC 600 D TAB	42	1,55	4000	LFN
11230310	CC 600 D TAB	42	1,55	3200	MX

# CC 1400-CC 1400 TAB

Catene in plastica / Plastic chains / Kunststoffkette

## CC 1400 *Catena curvilinea* *Sideflexing chain / Kurvengängige Scharnierbandkette*

Pins: Stainless Steel | Backflex radius min.: 50 mm

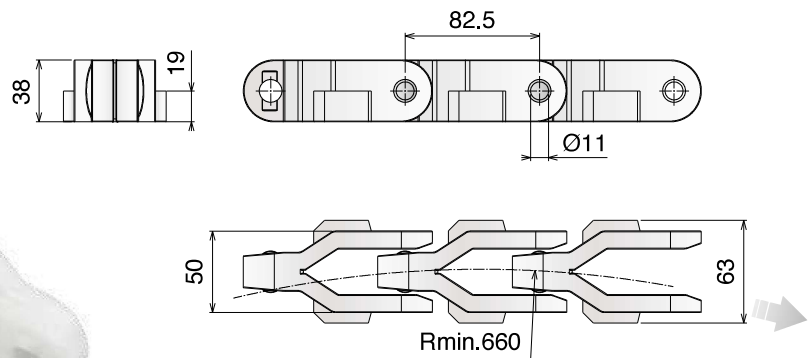


10 feet / 3,052 m  
 pg. 97  
 pg. 651->661  
 37 links

Article-Nr.	Ref.	Plate Width mm	Weight kg/m	Max working load N	Material
11300400	CC 1400	50	3,24	6500	LFN
11300300	CC 1400	50	3,24	5200	MX

## CC 1400 TAB *Catena curvilinea* *Sideflexing chain / Kurvengängige Scharnierbandkette*

Pins: Stainless Steel | Backflex radius min.: 50 mm



**TAB SYSTEM**

10 feet / 3,052 m  
 pg. 97  
 pg. 651->661  
 37 links

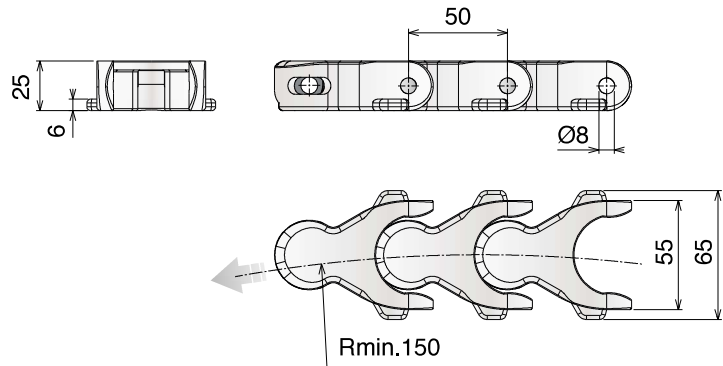
Article-Nr.	Ref.	Plate Width mm	Weight kg/m	Max working load N	Material
11310400	CC 1400 TAB	50	3,24	6500	LFN
11310300	CC 1400 TAB	50	3,24	5200	MX



## 1701 TAB OP

Catena curvilinea  
Sideflexing chain / Kardankette

Pins: Stainless Steel | Backflex radius min.: 50 mm



### TAB SYSTEM

10 feet 3,050 m	pg. 98	pg. 104	pg. 169/177	pg. 651>661
61 links				

Article-Nr.	Ref.	Plate Width mm	Weight kg/m	Max working load N	Material
11360400	LF 1701 TAB OP	55	1,40	2700	LFN



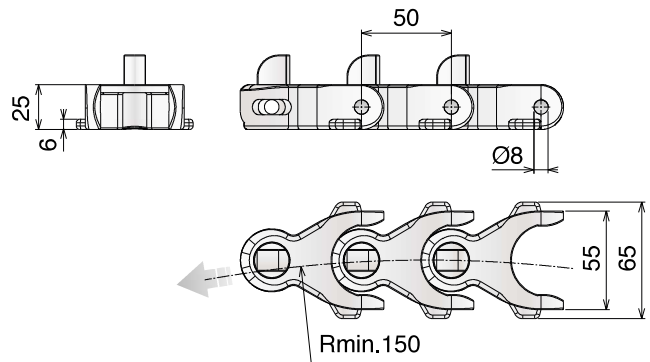
# 1701 TAB OPF

Catene in plastica / Plastic chains / Kunststoffkette

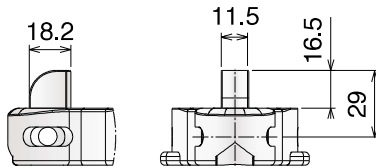
## 1701 TAB OPF

Catena curvilinea  
Sideflexing chain / Kardankette

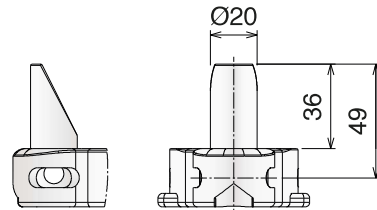
Pins: Stainless Steel | Backflex radius min. Type A/B/C: 100 mm | Backflex radius min. Type D: 120 mm



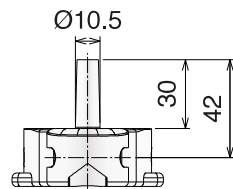
Type A



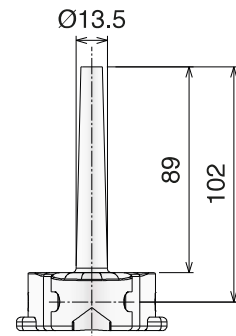
Type B



Type C



Type D



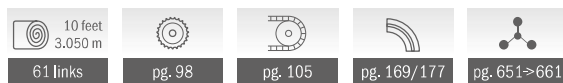
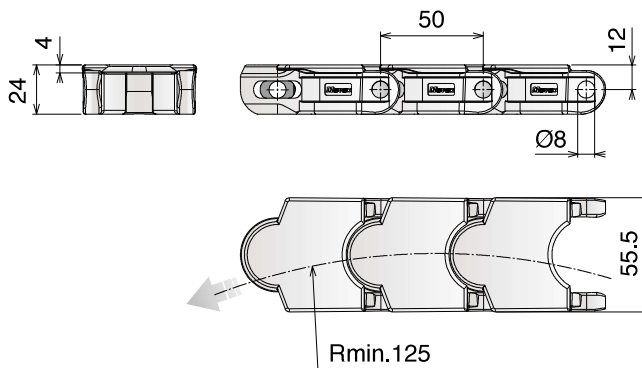
### TAB SYSTEM

10 feet 3.050 m				
61 links	pg. 98	pg. 104	pg. 169/177	pg. 651->661

Article-Nr.	Ref.	Plate Width mm	Weight kg/m	Max working load N	Material
11360400-FA	1701 TAB Type A	55	1,60	2700	LFN
11360400-FB	1701 TAB Type B	55	1,60		
11360400-FC	1701 TAB Type C	55	2,00		
11360400-FD	1701 TAB Type D	55	2,30		

## 1706 Catena curvilinea Sideflexing chain / Kardankette

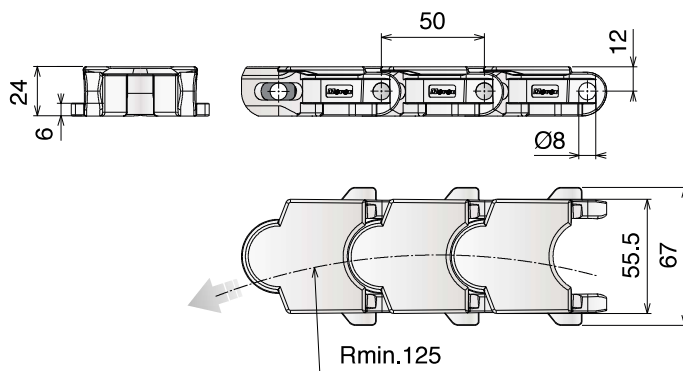
Pins: Stainless Steel | Backflex radius min.: 80 mm



Article-Nr.	Ref.	Plate Width mm	Weight kg/m	Max working load N	Material
11720400	LF 1706	55,5	1,35	2300	LFN
11720300	MX 1706	55,5	1,35	1900	MX

## 1706 TAB Catena curvilinea Sideflexing chain / Kardankette

Pins: Stainless Steel | Backflex radius min.: 80 mm



### TAB SYSTEM



Article-Nr.	Ref.	Plate Width mm	Weight kg/m	Max working load N	Material
11730400	LF 1706 TAB	55,5	1,38	2300	LFN
11730300	MX 1706 TAB	55,5	1,38	1900	MX

# 765 NO GAP

Catene in plastica / Plastic chains / Kunststoffkette

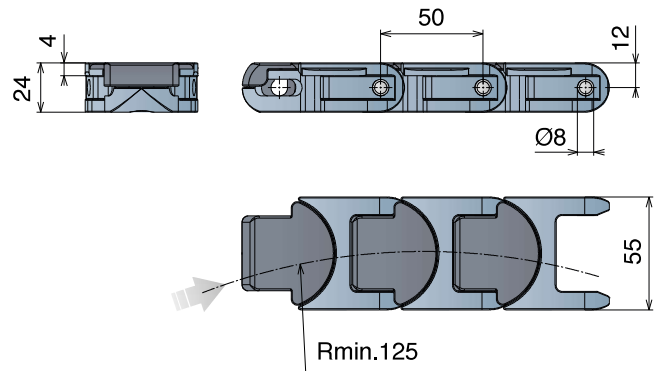
## 765 NO GAP

Catena curvilinea  
Sideflexing chain / Kardankette

**UPDATED MATERIALS**

Delivery: **Easy** **Standard**

Pins: Stainless Steel | Backflex radius min.: 50 mm



Article-Nr.	Ref.	Plate Width mm	Weight kg/m	Max working load N	Frame Material	Plate Material
11940100	765 LFA NO GAP	55	1,46	2670	LFA	MX
11940300	765 MX NO GAP	55	1,46	2200	MX	MK



### Advantages:

- Improved safety
- Product stability
- Ideal to transport small products

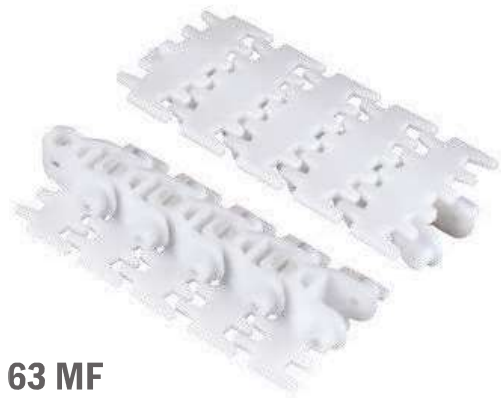
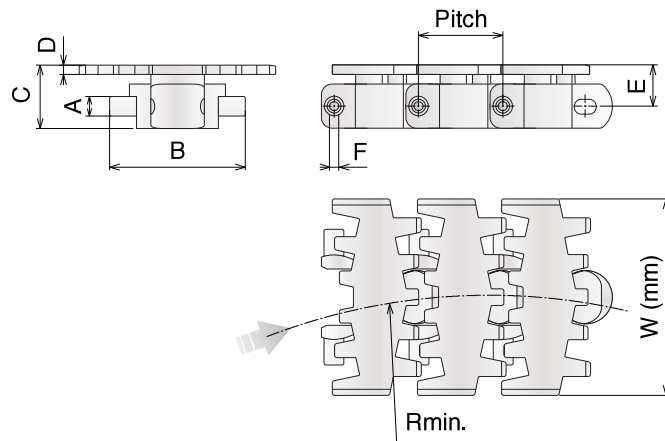
## 43 MF-63 MF-83 MF-103 MF

Catena curvilinea  
Sideflexing chain / Kardankette

Pins: Stainless Steel | Backflex radius min.: 80 mm



43 MF



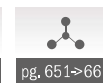
63 MF



83 MF



103 MF



Article-Nr.	Ref.	W (Plate Width) mm	A mm	B mm	C mm	D mm	E mm	F mm	Weight kg/m	Pitch	Radius min.	Links	Max working load N	Material
12010400	43 MF	43	8,25	35	22	3	13,25	4	0,60	25,4	140	3.048 (120 links)	2100	LFN
12010401	63 MF	63	8,25	35	22,5	3,5	13,75	4	0,80	25,4	150	3.048 (120 links)		
12010402	83 MF	83	11	58	27	4	17	6	1,70	33,5	160	3.015 (90 links)		
12010403	103 MF	103	12	75	26	4,5	17,5	6	2,00	35,5	170	3.195 (90 links)		

# 83 M-140 M

Catene in plastica / Plastic chains / Kunststoffkette

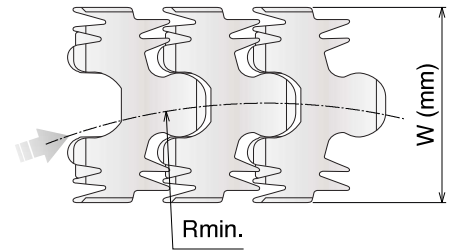
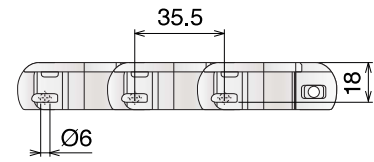
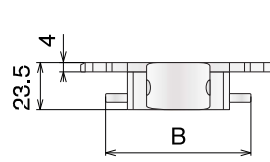
## 83 M-140 M

Catena curvilinea  
Sideflexing chain / Kardankette

Pins: Stainless Steel | Backflex radius min.: 150 mm



83 M



140 M

10 feet 3.048 m			
80 links	pg. 101	pg. 106	pg. 651->661

Article-Nr.	Ref.	W (Plate Width) mm	B mm	Weight kg/m	Pitch	Radius min.	Max working load N	Material
12020402	83 M	83	63	1,35	35,5	150	2100	LFN
12020404	140 M	140	63	2,10	35,5	250		



For bore tolerance refers to Movex engineering manual available on our website.



# Chain sprockets

<b>815</b>  Pag 78	<b>815</b>  Pag 78	<b>815</b>  Pag 79	<b>815</b>  Pag 79	<b>881</b>  Pag 80	<b>881</b>  Pag 80
<b>881</b>  Pag 81	<b>881</b>  Pag 81	<b>805-821</b>  Pag 82	<b>805-821</b>  Pag 82	<b>8157</b>  Pag 83	<b>8157</b>  Pag 83
<b>820</b>  Pag 84	<b>820</b>  Pag 84	<b>820</b>  Pag 85	<b>820</b>  Pag 85	<b>831</b>  Pag 86	<b>831</b>  Pag 86
<b>831</b>  Pag 87	<b>831</b>  Pag 87	<b>880</b>  Pag 88	<b>880</b>  Pag 88	<b>880</b>  Pag 89	<b>880</b>  Pag 89
<b>882</b>  Pag 90	<b>882</b>  Pag 90	<b>882</b>  Pag 91	<b>882</b>  Pag 91	<b>512</b>  Pag 92	<b>512</b>  Pag 92
<b>815</b>  Pag 93	<b>8157</b>  Pag 93	<b>805</b>  Pag 94	<b>820</b>  Pag 94	<b>512</b>  Pag 95	<b>815 MINI</b>  Pag 96
<b>815 MINI</b>  Pag 96	<b>CC 600</b>  Pag 97	<b>CC 1400</b>  Pag 97	<b>1701-1706-765</b>  Pag 98	<b>1701-1706-765</b>  Pag 98	<b>43 MF-63 MF</b>  Pag 99
<b>103 MF</b>  Pag 99	<b>83 MF</b>  Pag 100	<b>83 MF</b>  Pag 100	<b>83 M-140 M</b>  Pag 101	<b>83 M-140 M</b>  Pag 101	<b>TURNING DISKS</b>  Pag 102

Material Info:



pg. 666