

# 372-373-383

Componenti / Conveyor components / Komponenten

Materiali / Material / Materialien:

Part. 372-373 Cerniera: Poliammide/Hinges: Polyamide/Scharnier: Polyamid

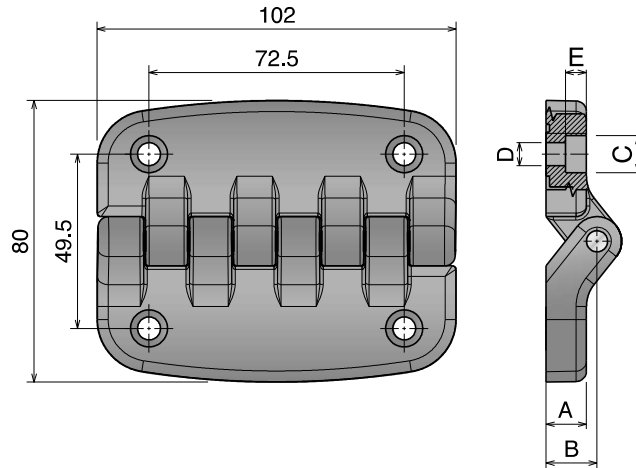
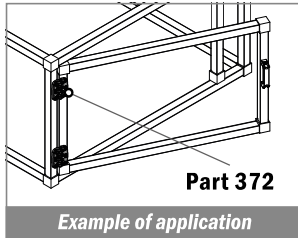
Perni: Acciaio inox/Pins: Stainless steel/Bolzen: Edelstahl

Part. 383 Cerniera: Poliammide/Hinges: Polyamide/Scharnier: Polyamid

## 372 Cerniera Hinge / Scharnier

**NOW ALSO IN HYGIENIC BLUE**

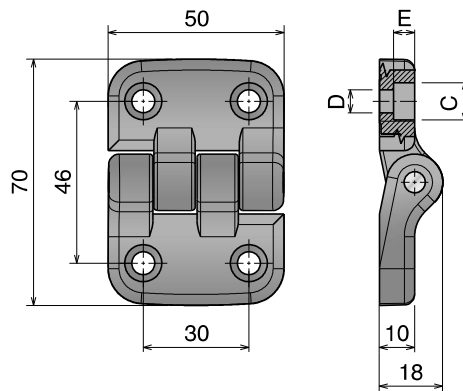
Delivery: **Easy** Standard



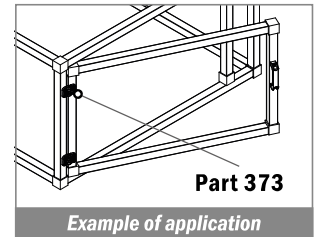
| Part | Article-Nr. | A  | B  | C    | D   | E | Colour        |
|------|-------------|----|----|------|-----|---|---------------|
| 372  | 37201       | 11 | 14 | 10,5 | 6,5 | 6 | Black         |
| 372  | 37202       | 11 | 14 | 13,5 | 8,5 | 8 | Black         |
| 372  | 37203       | 18 | 21 | 13,5 | 8,5 | 8 | Black         |
| 372  | 37211       | 11 | 14 | 10,5 | 6,5 | 6 | Hygienic blue |
| 372  | 37212       | 11 | 14 | 13,5 | 8,5 | 8 | Hygienic blue |
| 372  | 37213       | 18 | 21 | 13,5 | 8,5 | 8 | Hygienic blue |

## 373 Cerniera Hinge / Scharnier

Delivery: **Easy** Standard

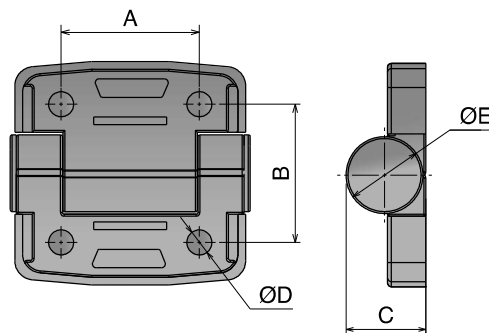


| Part | Article-Nr. | C    | D   | E |
|------|-------------|------|-----|---|
| 373  | 37301       | 10,5 | 6,5 | 6 |
| 373  | 37302       | 13,5 | 8,5 | 4 |

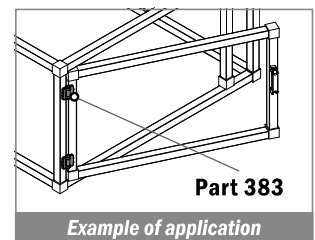


## 383 Cerniera Hinge / Scharnier

Delivery: **Easy** Standard



| Part | Article-Nr. | A  | B  | C    | ØD  | ØE | F    | G  |
|------|-------------|----|----|------|-----|----|------|----|
| 383  | 38301       | 24 | 25 | 14,5 | 4,5 | 14 | 44,6 | 41 |
| 383  | 38302       | 36 | 36 | 20,8 | 6,5 | 20 | 62,5 | 58 |

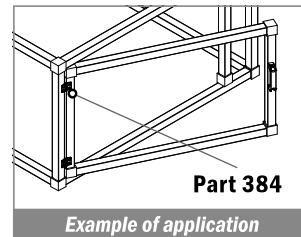
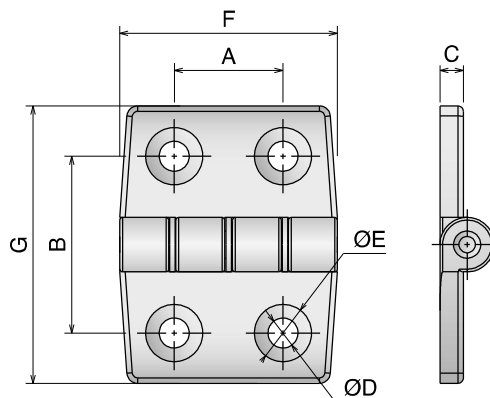


## 384 Cerniera Acciaio Inox SS Hinge / Edelstahl Scharnier

Stainless Steel | AISI 304

Delivery: **Easy** **Standard**

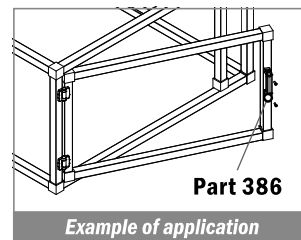
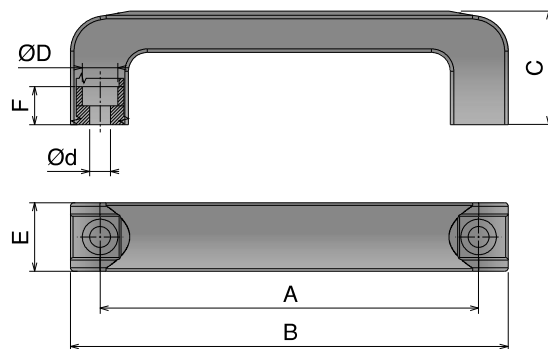
| Part | Article-Nr. | A  | B    | C   | ØD  | ØE   | F  | G  |
|------|-------------|----|------|-----|-----|------|----|----|
| 384  | 38401       | 20 | 32,5 | 4,3 | 5,5 | 10,5 | 40 | 51 |
| 384  | 38402       | 30 | 41   | 5   | 6,5 | 12,5 | 60 | 71 |



## 386 Maniglia Handle / Handgriff

Delivery: **Easy** **Standard**

| Part | Article-Nr. | A   | B   | C  | Ød  | ØD | E    | F  |
|------|-------------|-----|-----|----|-----|----|------|----|
| 386  | 38603       | 120 | 140 | 40 | 7   | 11 | 24   | 15 |
| 386  | 38601       | 120 | 140 | 40 | 8,5 | 13 | 24,5 | 16 |
| 386  | 38602       | 160 | 185 | 48 | 8,5 | 15 | 29   | 16 |



**Materiale / Material / Materialien:**

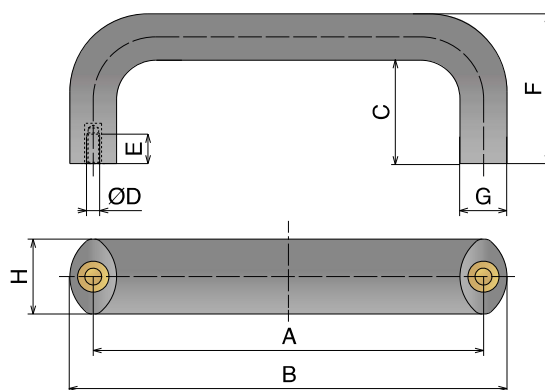
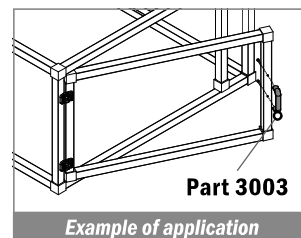
Part. 3003: Maniglia: Poliammide/Handle: Polyamide/Griff: Polyamid  
 Inserto femmina: Ottone/Female insert: Brass/Einsatz: Messing  
 Part. 397: Acciaio inox/Stainless steel/Edelstahl

## 3003 Maniglia piena con boccola

Solid handle with threaded insert / Handgriff mit Innengewinde

Delivery: **Easy** **Standard**

| Part | Article-Nr. | A   | B   | C  | ØD | E  | F  | G  | H  |
|------|-------------|-----|-----|----|----|----|----|----|----|
| 3003 | 300301      | 120 | 134 | 34 | M6 | 9  | 50 | 16 | 25 |
| 3003 | 300302      | 120 | 134 | 34 | M8 | 14 | 50 | 16 | 25 |



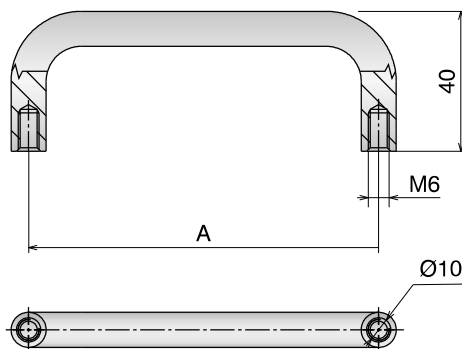
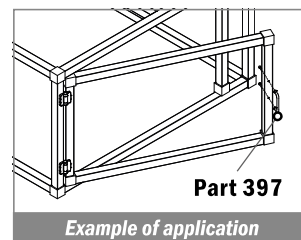
## 397 Maniglia acciaio inox

Stainless Steel handle / Handgriffe Edelstahl

Delivery: **Easy** **Standard**

Stainless Steel | AISI 304

| Part | Article-Nr. | A   |
|------|-------------|-----|
| 397  | 39701       | 95  |
| 397  | 39702       | 100 |
| 397  | 39703       | 110 |



**Materiale / Material / Materialien:**

Maniglia: Poliammide/Handle: Polyamide/Griff: Polyamid

Insero femmina: Ottone nichelato/Female insert: Nickel plated brass/Einsatz: Messing vernickelt

Insero maschio: Acciaio inox/Male insert: Stainless steel/Aussengewinde: Edelstahl

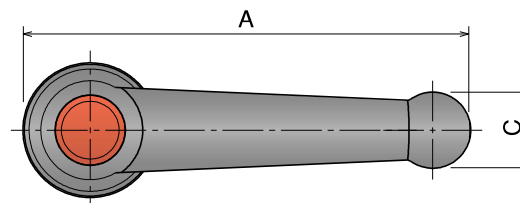
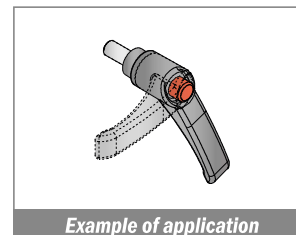
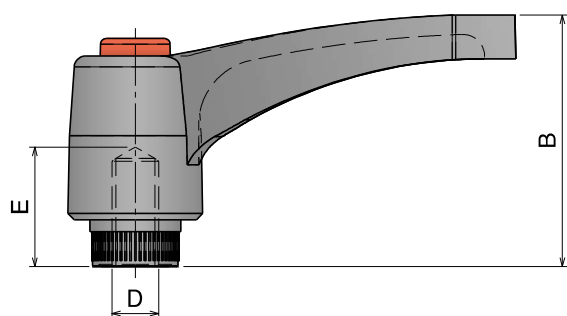
## 374 Maniglia a ripresa Adjustable handle / Ratschenhebel

**NEW DESIGN**

Delivery: **Easy** Standard



| Part | Article-Nr. | A    | B  | C    | D   | E  |
|------|-------------|------|----|------|-----|----|
| 374  | 37403       | 51   | 33 | 9    | M5  | 12 |
| 374  | 37404       | 51   | 33 | 9    | M6  | 12 |
| 374  | 37405       | 63   | 41 | 12   | M6  | 18 |
| 374  | 37406       | 63   | 41 | 12   | M8  | 18 |
| 374  | 37407       | 63   | 41 | 12   | M10 | 18 |
| 374  | 37401       | 76.5 | 43 | 13   | M8  | 18 |
| 374  | 37409       | 76.5 | 43 | 13   | M10 | 18 |
| 374  | 37402       | 93.5 | 54 | 15.5 | M10 | 22 |
| 374  | 37408       | 93.5 | 54 | 15.5 | M12 | 22 |

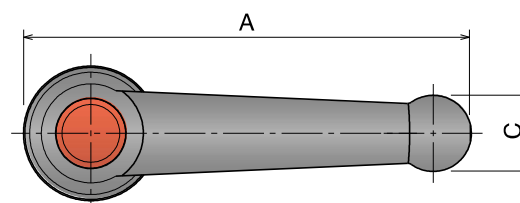
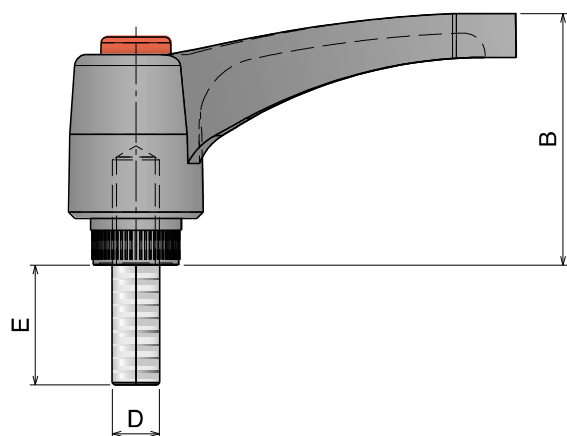


## 375 Maniglia a ripresa Adjustable handle / Ratschenhebel

Delivery: **Easy** Standard



| Part | Article-Nr. | A    | B  | C    | D   | E  |
|------|-------------|------|----|------|-----|----|
| 375  | 37508       | 51.5 | 33 | 9    | M5  | 15 |
| 375  | 37509       | 51.5 | 33 | 9    | M6  | 15 |
| 375  | 37510       | 63   | 41 | 12   | M8  | 15 |
| 375  | 37511       | 63   | 41 | 12   | M8  | 20 |
| 375  | 37515       | 63   | 41 | 12   | M8  | 55 |
| 375  | 37501       | 76.5 | 43 | 13   | M8  | 20 |
| 375  | 37512       | 76.5 | 43 | 13   | M8  | 25 |
| 375  | 37502       | 76.5 | 43 | 13   | M10 | 25 |
| 375  | 37513       | 93.5 | 54 | 15.5 | M10 | 20 |
| 375  | 37514       | 93.5 | 54 | 15.5 | M10 | 25 |



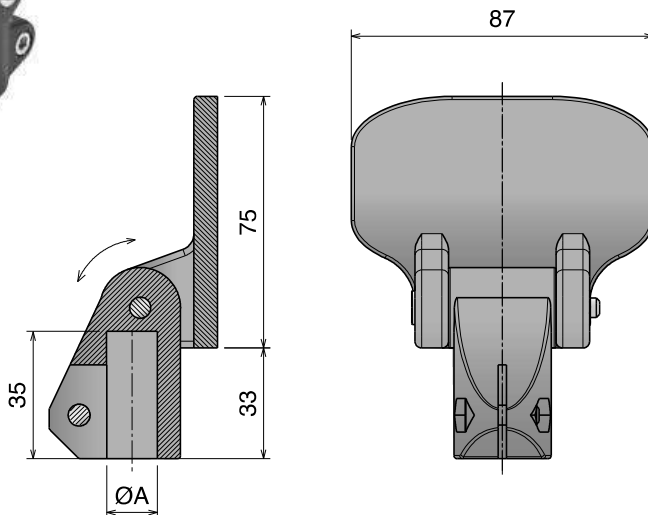
Materiali / Material / Materialien:

Morsetto: Poliammide / Clamp: Polyamide / Klemme: Polyamid

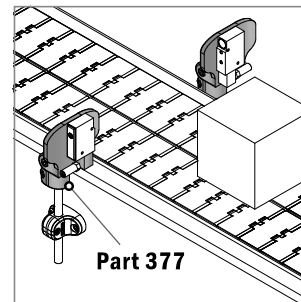
Viti e dadi: Acciaio inox / Screws and nuts: Stainless steel / Schraube und Mutter: Edelstahl

## 377 Morsetto standard per fotocellula o riflettore Clamp for photocells or reflector / Klemme für Fotozelle oder Reflektor

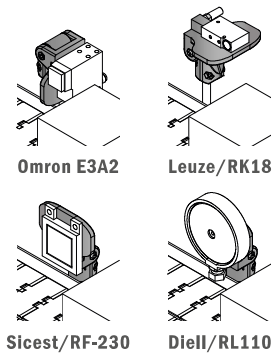
Delivery: **Easy** Standard



| Part | Article-Nr. | ØA |
|------|-------------|----|
| 377  | 37701       | 14 |
| 377  | 37702       | 16 |
| 377  | 37703       | 20 |



One product for several models of photocells reflectors:

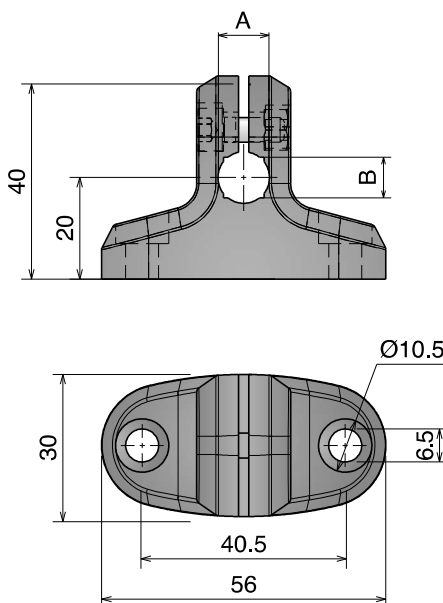


and many other types:  
Sick/WL36 - Datalogic/RT7  
Omron/E35-R - Datalogic/R2

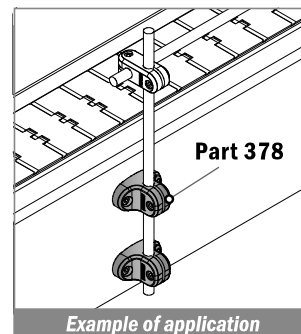
Example of application

## 378 Morsetto a "T" T-clamp / T-Klemme

Delivery: **Easy** Standard



| Part | Article-Nr. | A  | B  |
|------|-------------|----|----|
| 378  | 37801       | 10 | 8  |
| 378  | 37802       | 12 | 10 |
| 378  | 37803       | 14 | 12 |



**Materiale / Material / Materialien:**

Morsetto: Poliammide/Clamp: Polyamide/Klemme: Polyamid

Viti e dadi: Acciaio inox/Screws and nuts: Stainless steel/Schraube und Mutter: Edelstahl

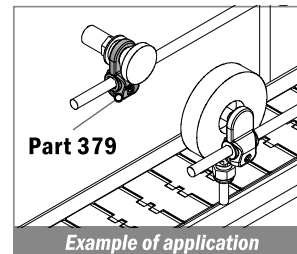
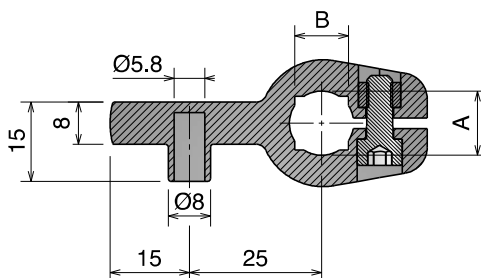
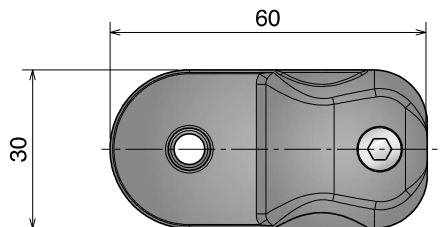
**379-380**

Componenti / Conveyor components / Komponenten

**379** Morsetto per riflettore  
Clamp for reflector / Reflektorklemme

Delivery: **Easy** **Standard**

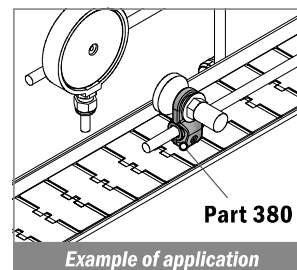
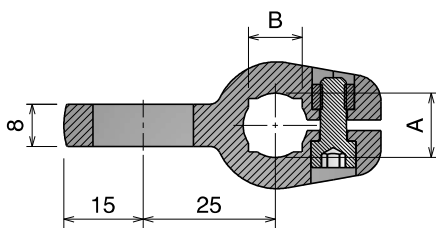
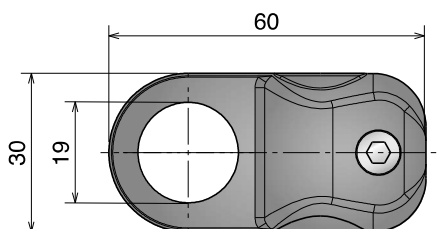
| Part | Article-Nr. | A  | B  |
|------|-------------|----|----|
| 379  | 37901       | 10 | 8  |
| 379  | 37902       | 12 | 10 |
| 379  | 37903       | 14 | 12 |



**380** Morsetto per fotocellule o sensori  
Clamp for photocells or sensors / Klemme für Lichtschranke oder Sensoren

Delivery: **Easy** **Standard**

| Part | Article-Nr. | A  | B  |
|------|-------------|----|----|
| 380  | 38001       | 10 | 8  |
| 380  | 38002       | 12 | 10 |
| 380  | 38003       | 14 | 12 |



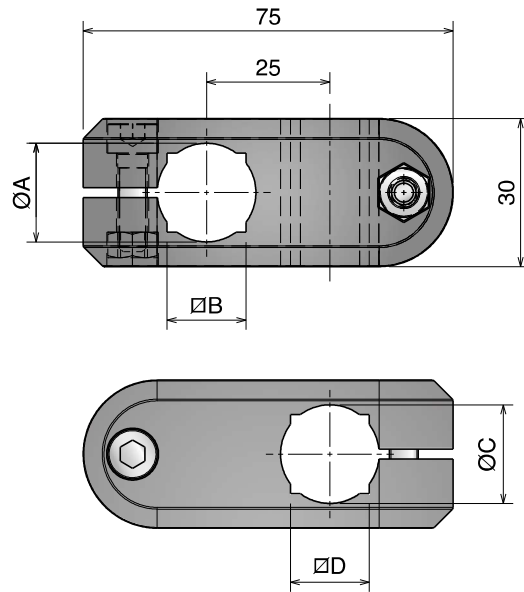
**Materiale / Material / Materialien:**

Morsetto: Poliammide/Clamp: Polyamide/Klemme: Polyamid

Viti e dadi: Acciaio inox/Screws and nuts: Stainless steel/Schraube und Mutter: Edelstahl

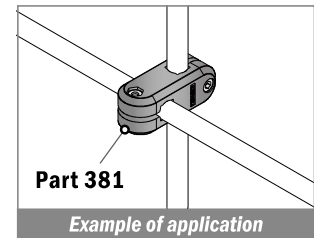
## 381 Morsetto a croce Cross clamp / Kreuzklemmee

Delivery: **Easy** Standard



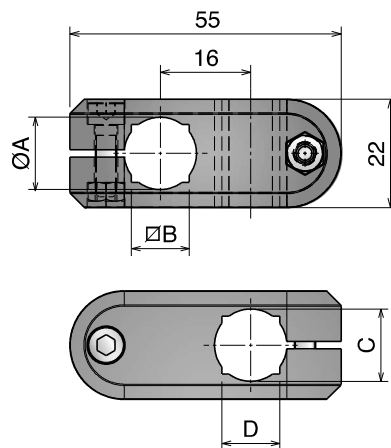
**NOW ALSO IN HYGIENIC BLUE**

| Part | Article-Nr. | ØA | ØB | ØC | ØD | Colour          |
|------|-------------|----|----|----|----|-----------------|
| 381  | 38101       | 14 | 12 | 14 | 12 | Black           |
| 381  | 38102       | 16 | 14 | 16 | 14 | Black           |
| 381  | 38103       | 18 | -  | 18 | -  | Black           |
| 381  | 38104       | 20 | 16 | 20 | 16 | Black           |
| 381  | 38111       | 14 | 12 | 14 | 12 | Hygienic blue   |
| 381  | 38112       | 16 | 14 | 16 | 14 | Hygienic blue   |
| 381  | 38113       | 18 | -  | 18 | -  | Hygienic blue   |
| 381  | 38114       | 20 | 16 | 20 | 16 | Hygienic blue   |
| 381  | 38121       | 16 | -  | 16 | -  | Stainless steel |
| 381  | 38122       | 16 | -  | 20 | -  | Stainless steel |
| 381  | 38123       | 20 | -  | 20 | -  | Stainless steel |



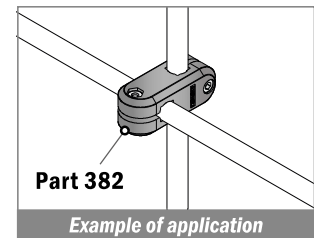
## 382 Morsetto a croce Cross clamp / Kreuzklemmee

Delivery: **Easy** Standard



**NOW ALSO IN HYGIENIC BLUE**

| Part | Article-Nr. | ØA | ØB | C  | D  | Colour        |
|------|-------------|----|----|----|----|---------------|
| 382  | 38201       | 10 | 8  | 10 | 8  | Black         |
| 382  | 38202       | 12 | 10 | 12 | 10 | Black         |
| 382  | 38203       | 14 | 12 | 14 | 12 | Black         |
| 382  | 38211       | 10 | 8  | 10 | 8  | Hygienic blue |
| 382  | 38212       | 12 | 10 | 12 | 10 | Hygienic blue |
| 382  | 38213       | 14 | 12 | 14 | 12 | Hygienic blue |





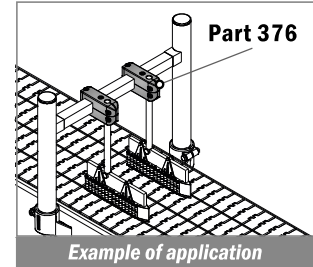
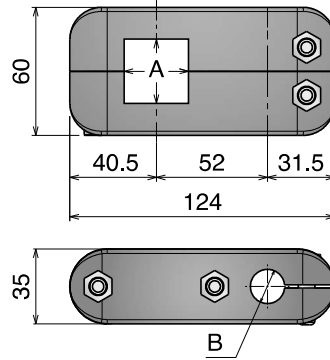
# 376

Morsetto a croce "extra"  
Extra Cross Block / Kreuzklemme "Extra"

**NEW DESIGN**

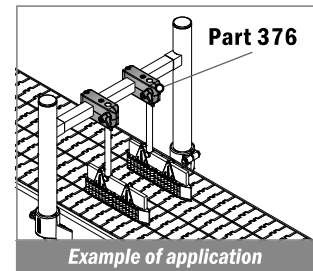
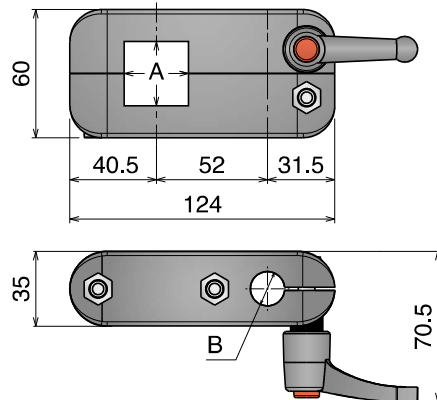
Delivery: **Easy** **Standard**

| Part | Article-Nr. | A     | B  |
|------|-------------|-------|----|
| 376  | 37601       | 30x30 | 16 |
| 376  | 37604       | 30x30 | 20 |
| 376  | 37602       | 40x40 | 16 |
| 376  | 37603       | 40x40 | 20 |



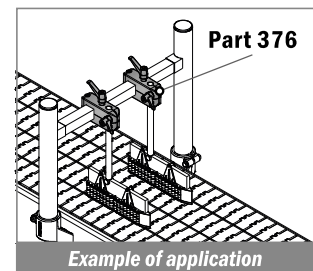
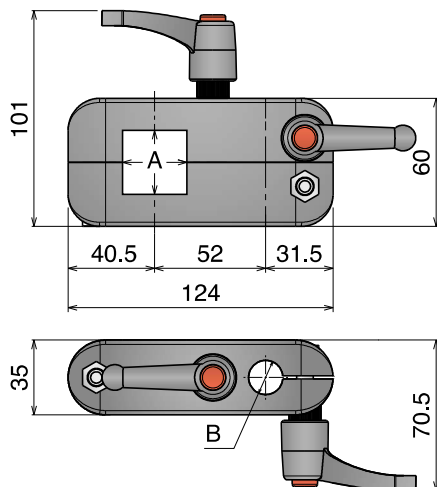
## Morsetto a croce "extra" con maniglia Extra Cross Block with handle / Kreuzklemme "Extra" m. Ratschenhebel

| Part | Article-Nr. | A     | B  |
|------|-------------|-------|----|
| 376  | 37611       | 30x30 | 16 |
| 376  | 37614       | 30x30 | 20 |
| 376  | 37612       | 40x40 | 16 |
| 376  | 37613       | 40x40 | 20 |



## Morsetto a croce "extra" con maniglie Extra Cross Block with handles / Kreuzklemme "Extra" m. Ratschenhebel

| Part | Article-Nr. | A     | B  |
|------|-------------|-------|----|
| 376  | 37621       | 30x30 | 16 |
| 376  | 37624       | 30x30 | 20 |
| 376  | 37622       | 40x40 | 16 |
| 376  | 37623       | 40x40 | 20 |



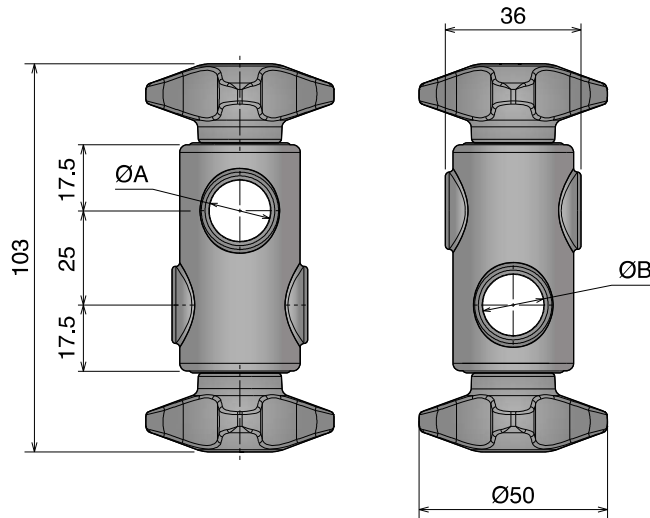
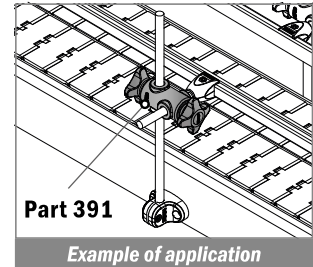


## 391 Morsetto a croce Cross clamp / Kreuzklemme

Delivery: **Easy** Standard

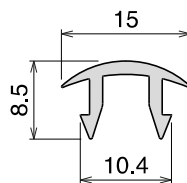


| Part | Article-Nr. | ØA | ØB |
|------|-------------|----|----|
| 391  | 39101       | 12 | 12 |
| 391  | 39103       | 14 | 14 |
| 391  | 39102       | 16 | 16 |
| 391  | 39104       | 12 | 16 |

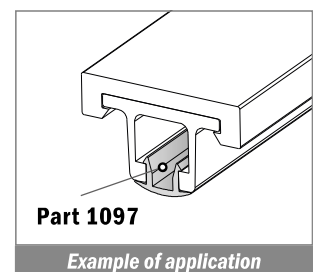


## NEW 1097 Profilo di chiusura Closing profile / Abdeckprofil

Delivery: **Easy** Standard



| Article-Nr. | Material | Availability | Supply     |
|-------------|----------|--------------|------------|
| 109701-30   | Grey PVC | Stock item   | 30 m coils |



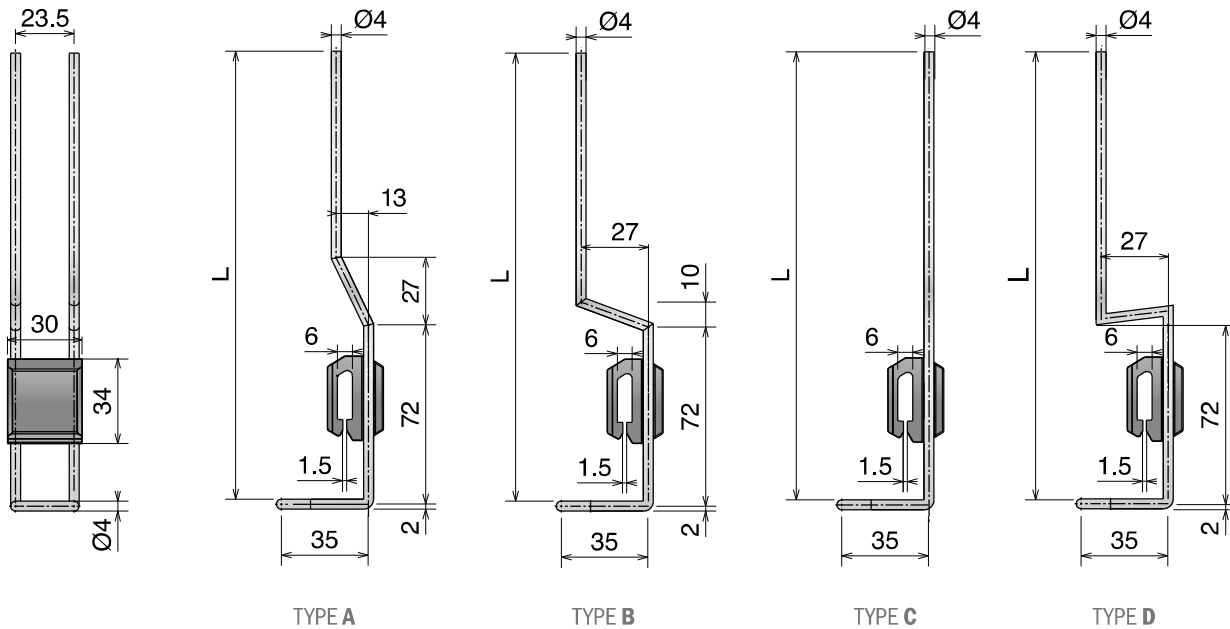
Used with Part:  
 154 - 155 - 159 - 164 - 165 - 188  
 358 - 359 - 360 - 361 - 1055 - 1088 - 1089

## 387 Sostegno per Sgocciolatoio Drip Tray Supports / Tropfblechhalter

Delivery: **Easy** **Standard** Max load capacity 20 Kg



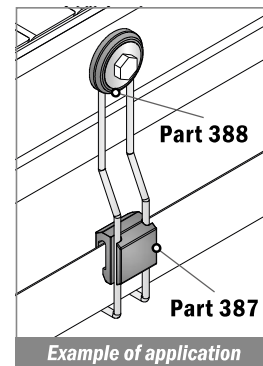
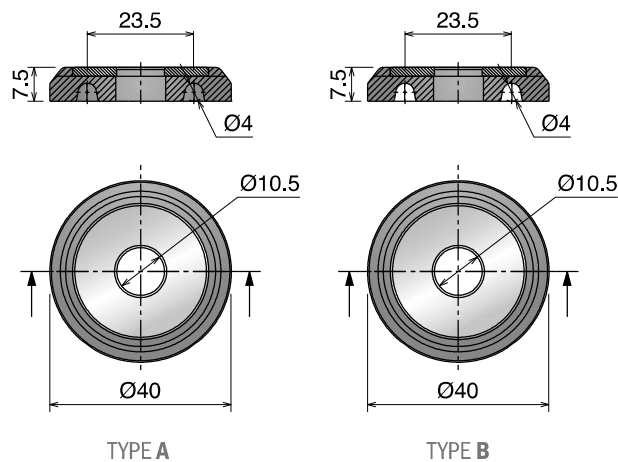
| Part | Article-Nr. | L   | Type |
|------|-------------|-----|------|
| 387  | 38701       | 180 | A    |
| 387  | 38702       | 250 | A    |
| 387  | 38703       | 180 | B    |
| 387  | 38704       | 250 | B    |
| 387  | 38705       | 280 | B    |
| 387  | 38706       | 246 | C    |
| 387  | 38707       | 396 | C    |
| 387  | 38708       | 180 | D    |
| 387  | 38709       | 250 | D    |



## 388 Rondella di fissaggio Fixing washer / Fixierscheibe

Delivery: **Easy** **Standard**

| Part | Article-Nr. | Type |
|------|-------------|------|
| 388  | 38801       | A    |
| 388  | 38802       | B    |



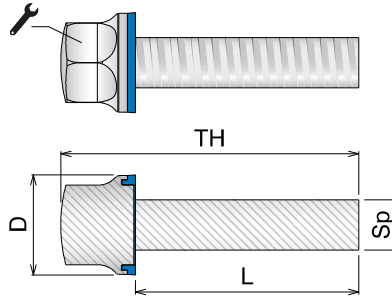
## NEW 903 Vite igienica certificata ed igienica Certified hygienic screw / Zertifiziert hygienische Schraube

Delivery: **Easy** **Standard**

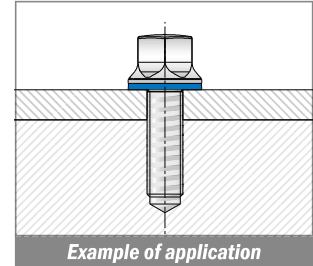


- Main features:
- Stainless steel AISI 304
  - Blue seal for hermetic closure

| Art-Nr. | Sp  | D    | TH | L  |    | Box    |
|---------|-----|------|----|----|----|--------|
| 903255  | M8  | 16   | 58 | 45 | 13 | 10 pcs |
| 903253  | M10 | 20   | 60 | 45 | 16 | 10 pcs |
| 903251  | M12 | 24,5 | 78 | 60 | 18 | 10 pcs |



**CERTIFIED PRODUCTS**  
ASK FOR CERTIFICATION:  
certificate@movexii.com



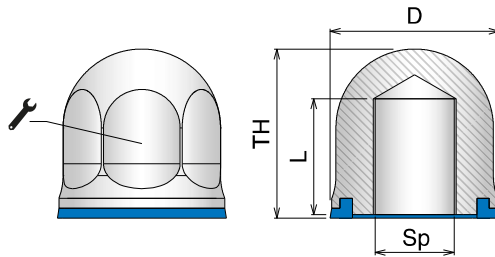
## NEW 903 Dado certificato ed igienico Certified hygienic nut / Zertifiziert hygienische Hutmutter

Delivery: **Easy** **Standard**

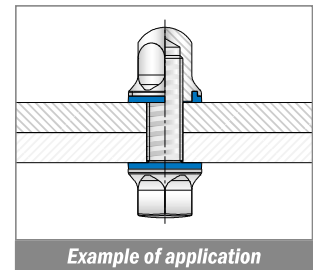


- Main features:
- Stainless steel AISI 304
  - Blue seal for hermetic closure

| Art-Nr. | Sp  | D    | TH   | L  |    | Box    |
|---------|-----|------|------|----|----|--------|
| 903235  | M6  | 13   | 14   | 10 | 10 | 10 pcs |
| 903236  | M8  | 16   | 17   | 12 | 13 | 10 pcs |
| 903237  | M10 | 20   | 20,5 | 15 | 16 | 10 pcs |
| 903238  | M12 | 24,5 | 25   | 18 | 18 | 10 pcs |
| 903239  | M16 | 32   | 32   | 23 | 24 | 10 pcs |
| 903240  | M20 | 39   | 38   | 27 | 30 | 10 pcs |



**CERTIFIED PRODUCTS**  
ASK FOR CERTIFICATION:  
certificate@movexii.com



## 998 Dado Nut / Sechskantmutter

Delivery: **Easy** **Standard**



- Main features:
- Stainless steel (SS) or Zinc plated steel (FeZn)
  - UNI 5588 - ISO 4032 - DIN 934

| Art-Nr. | Art-Nr. | Sp  | Box    |
|---------|---------|-----|--------|
| SS      | FeZn    |     |        |
| 99801   | 99801Z  | M10 | 50 pcs |
| 99802   | 99802Z  | M12 | 50 pcs |
| 99804   | 99804Z  | M16 | 10 pcs |
| 99805   | 99805Z  | M20 | 10 pcs |
| 99806   | 99806Z  | M24 | 5 pcs  |
| 99807   | 99807Z  | M30 | 5 pcs  |
| 99808   | 99808Z  | M36 | 5 pcs  |