








NOW ALSO IN HYGIENIC BLUE 

Conveyor components

301  Pag 450	302   Pag 450	305  Pag 451	306  Pag 451	307  Pag 452	308  Pag 452
309  Pag 453	310  Pag 453	311  Pag 454	312  Pag 454	321   Pag 455	322   Pag 455
323  Pag 455	398   Pag 456	398   Pag 456	398  Pag 457	398  Pag 458	398  Pag 459
398  Pag 460	398  Pag 461	398  Pag 462	398  Pag 463	313   Pag 464	314   Pag 464
315  Pag 465	316  Pag 465	317   Pag 466	317   Pag 466	318  Pag 467	319  Pag 467
3001  Pag 467	317  Pag 468	320  Pag 468	3007  Pag 468	3008  Pag 469	3002  Pag 469
324   Pag 470	325   Pag 470	3009   Pag 470	326   Pag 471	3013  Pag 471	3010  Pag 471
327  Pag 472	3012  Pag 472	337   Pag 473	338   Pag 473	339   Pag 473	328  Pag 474

329  Pag 474	330  Pag 474	390  Pag 474	392  Pag 475	393  Pag 475	336  Pag 475
394  Pag 476	341 HB  Pag 476	341 HB  Pag 476	3310  Pag 477	3311  Pag 477	345  Pag 477
349  Pag 478	350  Pag 478	351  Pag 478	3004  Pag 479	352  Pag 479	3005  Pag 479
347  Pag 480	348  Pag 480	346  Pag 480	356  Pag 481	357  Pag 481	3011 HB  Pag 481
335  Pag 482	358  Pag 483	364  Pag 483	359  Pag 484	365  Pag 484	360  Pag 485
360  Pag 486	366  Pag 485/486	361  Pag 487	361  Pag 488	367  Pag 487/488	364-365  Pag 489
366-367  Pag 490	366  Pag 491	367  Pag 491	364  Pag 492	365  Pag 492	395  Pag 493
362  Pag 493	333  Pag 493	358/359/360/361  Pag 493	3014  Pag 493	353  Pag 494	354  Pag 494
355  Pag 494	363  Pag 495	396  Pag 496	363  Pag 497	36399  Pag 497	199/299  Pag 498
368  Pag 499	369  Pag 499	370  Pag 500	371  Pag 500	342  Pag 501	372 HB  Pag 502
373  Pag 502	383  Pag 502	384  Pag 503	386  Pag 503	3003  Pag 504	397  Pag 504

Conveyor components

374  Pag 505	375  Pag 505	377  Pag 506	378  Pag 506	379  Pag 507	380  Pag 507
381  Pag 508	382  Pag 508	376  Pag 509	376  Pag 509	376  Pag 509	391  Pag 510
1097  Pag 510	387  Pag 511	388  Pag 511	903  Pag 512	903  Pag 512	998  Pag 512

301-302

Componenti / Conveyor components / Komponenten

Materiale / Material / Materialien:

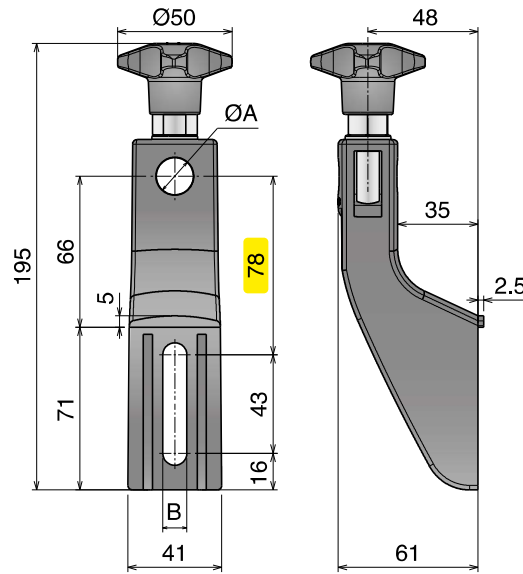
Supporto: PA/Support: PA/Halter: PA

Volantino: PA+ottone nichelato/Knob: PA+nickel plated brass/Sterngriff: PA+ Messing vernickelt

Tirante: Acciaio inox/Eyebolt: Stainless steel/Augenschraube: Edelstahl

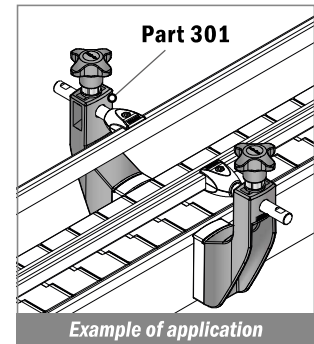
301 Supporto laterale -piccolo- Side bracket -small- / Geländerhalter -klein-

Delivery: **Easy** **Standard**



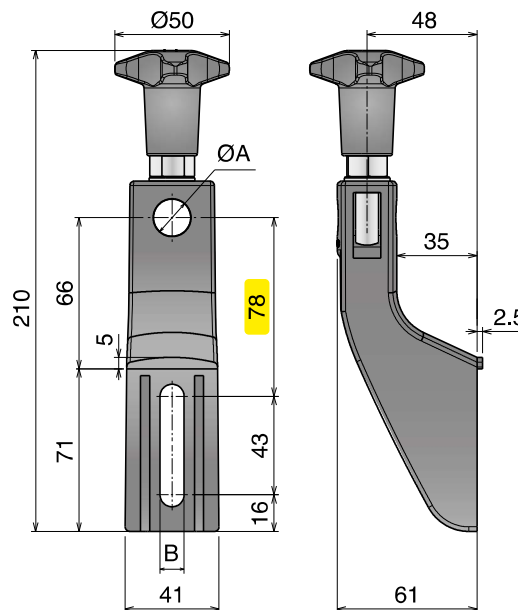
NOW ALSO IN HYGIENIC BLUE

Part	Article-Nr.	$\varnothing A$	B	Colour
301	30101	12	9	Black
301	30105	14	9	Black
301	30102	16	9	Black
301	30103	12	10,5	Black
301	30106	14	10,5	Black
301	30104	16	10,5	Black
301	30151	12	9	Hygienic blue
301	30155	14	9	Hygienic blue
301	30152	16	9	Hygienic blue
301	30153	12	10,5	Hygienic blue
301	30156	14	10,5	Hygienic blue
301	30154	16	10,5	Hygienic blue



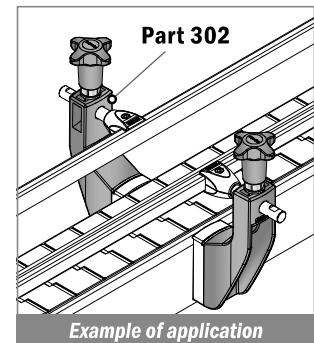
302 Supporto laterale -piccolo- volantino alto Side bracket -small- high knob / Geländerhalter -klein- hoher Sterngriff

Delivery: **Easy** **Standard**



NOW ALSO IN HYGIENIC BLUE

Part	Article-Nr.	$\varnothing A$	B	Colour
302	30201	12	9	Black
302	30205	14	9	Black
302	30202	16	9	Black
302	30203	12	10,5	Black
302	30206	14	10,5	Black
302	30204	16	10,5	Black
302	30251	12	9	Hygienic blue
302	30255	14	9	Hygienic blue
302	30252	16	9	Hygienic blue
302	30253	12	10,5	Hygienic blue
302	30256	14	10,5	Hygienic blue
302	30254	16	10,5	Hygienic blue



Materiale / Material / Materialien:

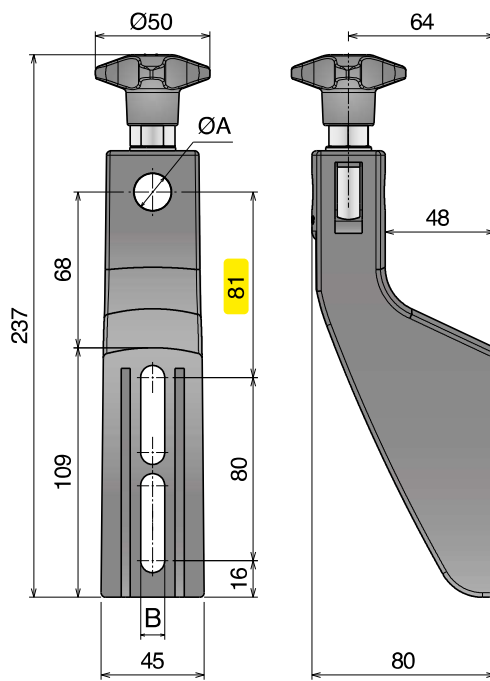
Supporto: PA/Support: PA/Halter: PA

Volantino: PA+ottone nichelato/Knob: PA+nickel plated brass/Sterngriff: PA+ Messing vernickelt

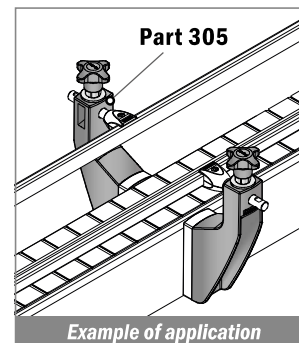
Tirante: Acciaio inox/Eyebolt: Stainless steel/Augenschraube: Edelstahl

305 Supporto laterale -medio- Side bracket -medium- / Geländerhalter -medium-

Delivery: **Easy** **Standard**

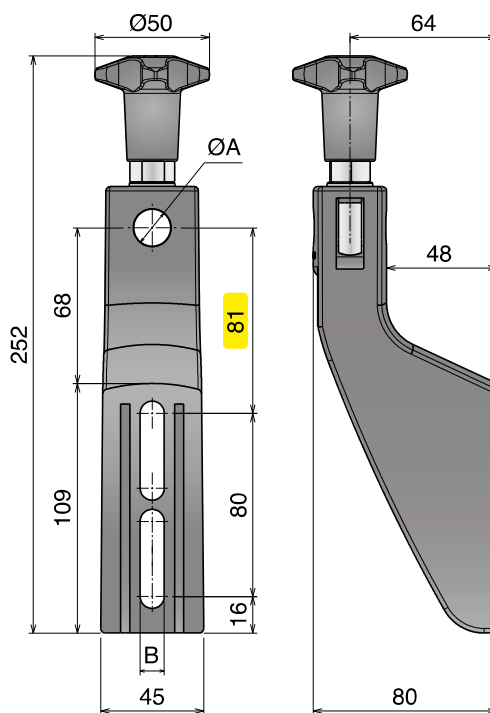


Part	Article-Nr.	ØA	B
305	30501	12	9
305	30505	14	9
305	30502	16	9
305	30503	12	10,5
305	30506	14	10,5
305	30504	16	10,5

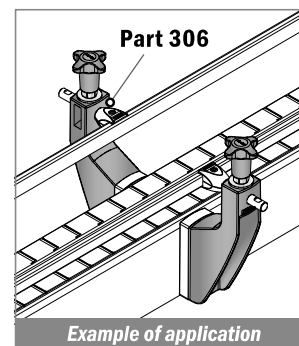


306 Supporto laterale -medio- volantino alto Side bracket -medium- high knob / Geländerhalter -medium- hoher Sterngriff

Delivery: **Easy** **Standard**



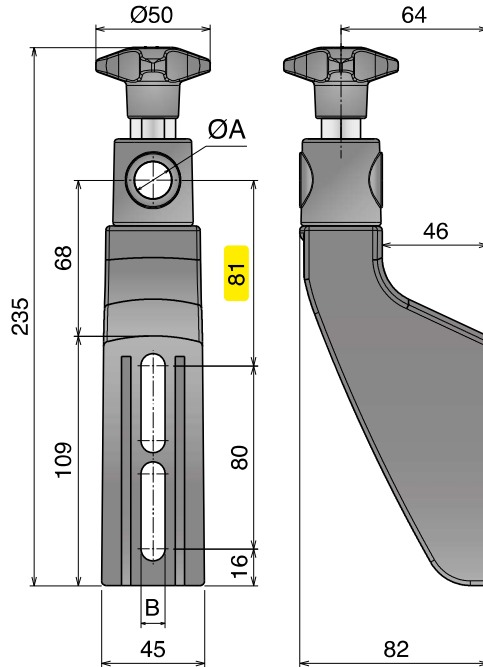
Part	Article-Nr.	ØA	B
306	30601	12	9
306	30605	14	9
306	30602	16	9
306	30603	12	10,5
306	30606	14	10,5
306	30604	16	10,5



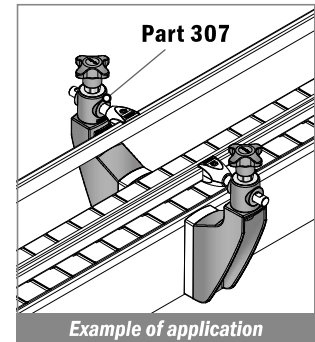
Materiale / Material / Materialien: Supporto: PA/Support: PA/Halter: PA
 Volantino: PA+ottone nichelato/Knob: PA+nickel plated brass/Sterngriff: PA+ Messing vernickelt
 Tirante: Acciaio inox/Eyebolt: Stainless steel/Augenschraube: Edelstahl
 Testina: PA o Acciaio inox/Head: PA or stainless steel/Schwenkopf: PA oder Edelstahl
 Vite, rondella e dado: Acciaio inox/Screw, washer and nut: Stainless steel/Schraube, Unterlegs und Mutter: Edelstahl

307 Supporto laterale -medio- orientabile Side bracket -medium- adjustable / Geländerhalter -medium- einstellbar

Delivery: **Easy** **Standard**

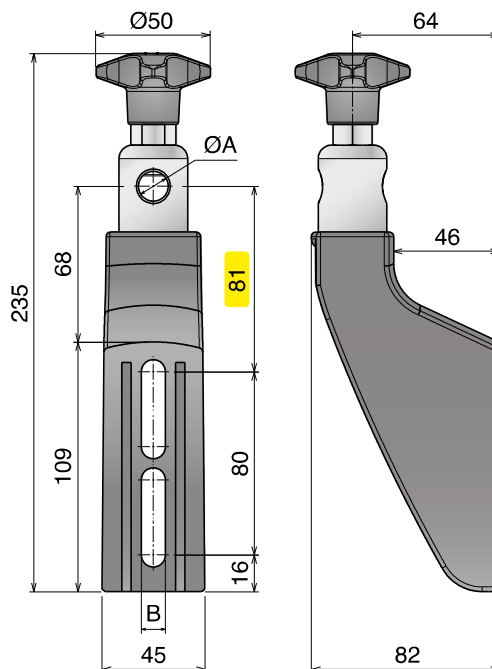


Part	Article-Nr.	ØA	B
307	30701	12	9
307	30705	14	9
307	30702	16	9
307	30703	12	10,5
307	30706	14	10,5
307	30704	16	10,5
307	30709	bracket	9
307	30710	bracket	10,5

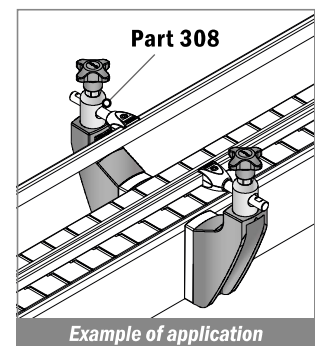


308 Supporto laterale -medio- orientabile Acciaio inox Side bracket -medium- adjustable stainless steel / Geländerhalter -medium- einstellbar edelstahl

Delivery: **Easy** **Standard**

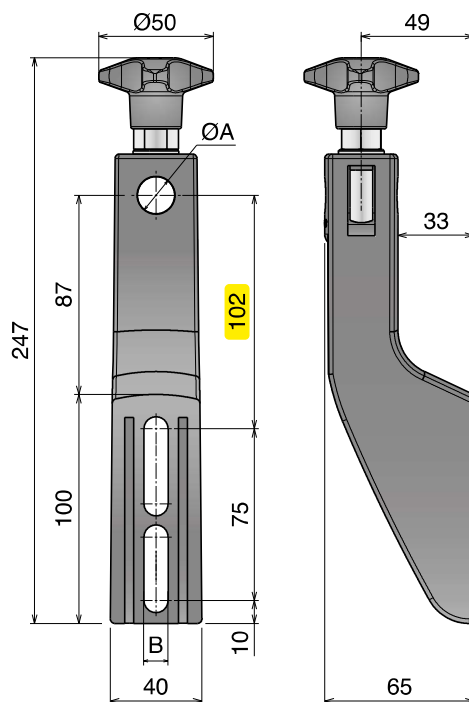


Part	Article-Nr.	ØA	B
308	30801	12	9
308	30805	14	9
308	30802	16	9
308	30803	12	10,5
308	30806	14	10,5
308	30804	16	10,5

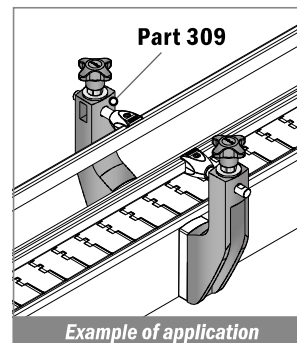


309 Supporto laterale -grande- Side bracket -large- / Geländerhalter -groß-

Delivery: **Easy** **Standard**

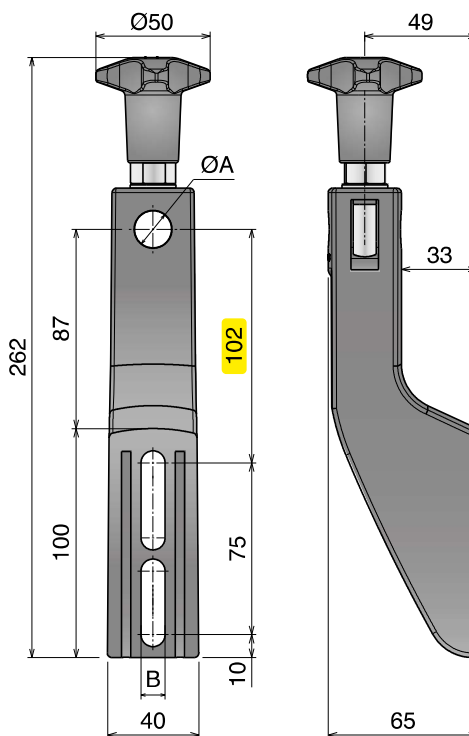


Part	Article-Nr.	ØA	B
309	30901	12	9
309	30905	14	9
309	30902	16	9
309	30903	12	10,5
309	30906	14	10,5
309	30904	16	10,5

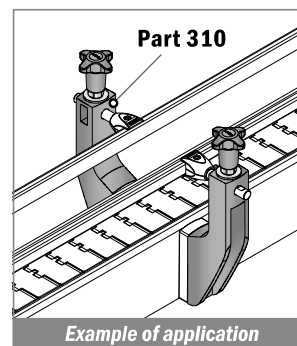


310 Supporto laterale -grande- volantino alto Side bracket -large- high knob / Geländerhalter -groß- hoher sterngriff

Delivery: **Easy** **Standard**



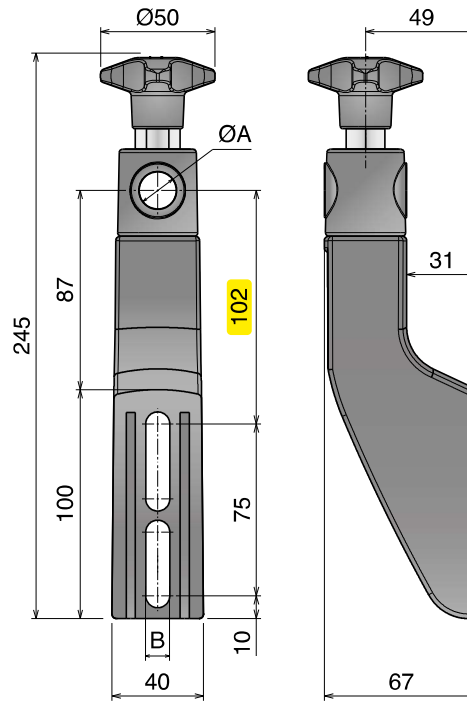
Part	Article-Nr.	ØA	B
310	31001	12	9
310	31005	14	9
310	31002	16	9
310	31003	12	10,5
310	31006	14	10,5
310	31004	16	10,5



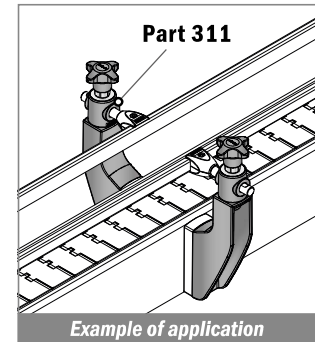
Materiale / Material / Materialien: Supporto: PA/Support: PA/Halter: PA
 Volantino: PA+ottone nichelato/Knob: PA+nickel plated brass/Sterngriff: PA+ Messing vernickelt
 Tirante: Acciaio inox/Eyebolt: Stainless steel/Augenschraube: Edelstahl
 Testina: PA o Acciaio inox/Head: PA or stainless steel/Schwenkopf: PA oder Edelstahl
 Vite, rondella e dado: Acciaio inox/Screw, washer and nut: Stainless steel/Schraube, Unterlegs und Mutter: Edelstahl

311 Supporto laterale -grande- orientabile Side bracket -large- adjustable / Geländerhalter -groß- einstellbar

Delivery: **Easy** **Standard**

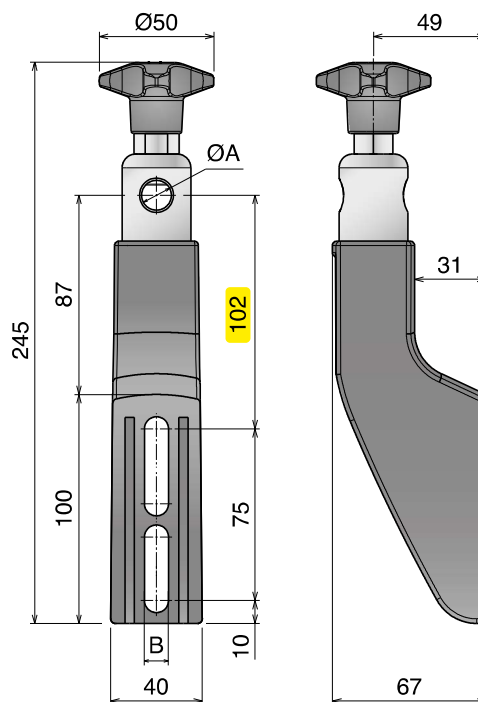


Part	Article-Nr.	ØA	B
311	31101	12	9
311	31105	14	9
311	31102	16	9
311	31103	12	10,5
311	31106	14	10,5
311	31104	16	10,5
311	31109	bracket	9
311	31110	bracket	10,5

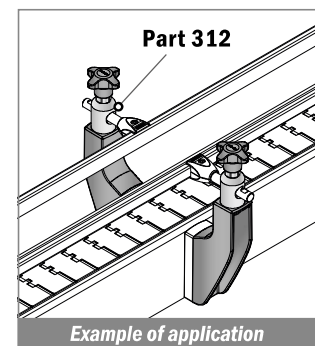


312 Supporto laterale -grande- orientabile Acciaio inox Side bracket -large- adjustable stainless steel / Geländerhalter -groß- einstellbar edelstahl

Delivery: **Easy** **Standard**

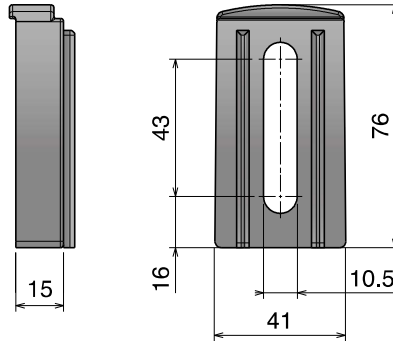


Part	Article-Nr.	ØA	B
312	31201	12	9
312	31205	14	9
312	31202	16	9
312	31203	12	10,5
312	31206	14	10,5
312	31204	16	10,5



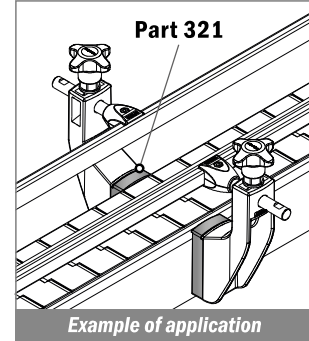
321 Distanziale per supporto -piccolo
 Spacer for bracket -small / Distanzstück für Geländerhalter -klein

Delivery: **Easy** **Standard** Used with bracket Part. 301-302 Pag 450



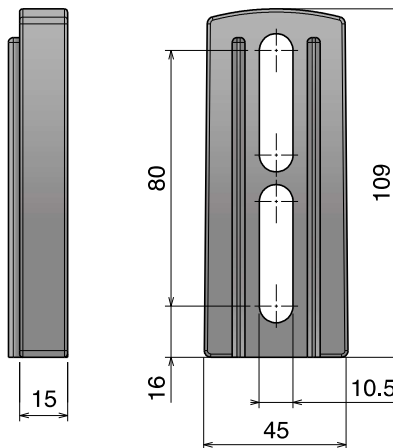
NOW ALSO IN HYGIENIC BLUE

Part	Article-Nr.	Colour
321	32101	Black
321	32151	Hygienic blue

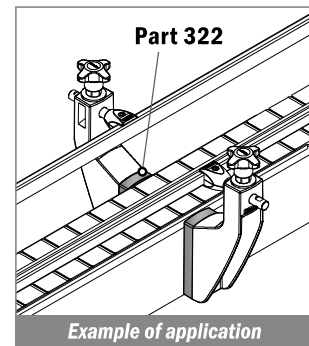


322 Distanziale per supporto -medio
 Spacer for bracket -medium / Distanzstück für Geländerhalter -medium

Delivery: **Easy** **Standard** Used with bracket Part. 305-306-307-308 Pag 451-452

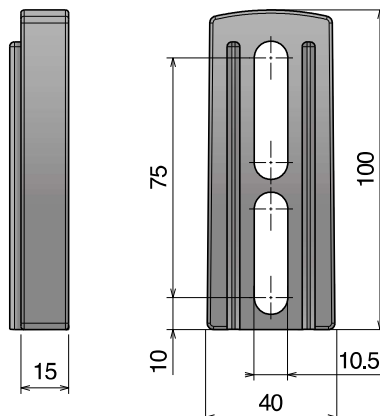


Part	Article-Nr.	Colour
322	32201	Black

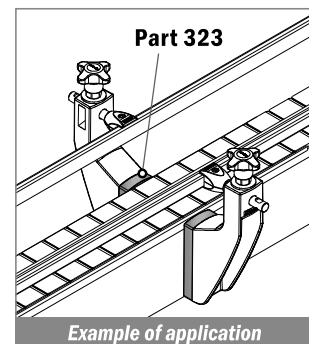


323 Distanziale per supporto -grande
 Spacer for bracket -large / Distanzstück für Geländerhalter -groß

Delivery: **Easy** **Standard** Used with bracket Part. 309-310-311-312 Pag 453-454



Part	Article-Nr.	Colour
322	32301	Black



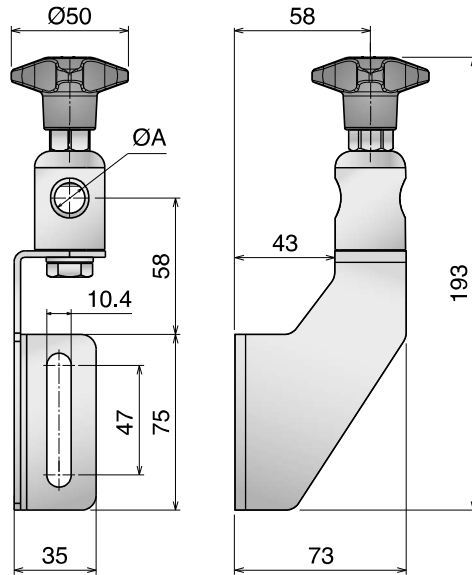
Materiali / Material / Materialien:

Supporto: Acciaio inox AISI 304 / Support: Stainless steel AISI 304 / Halter: Edelstahl AISI 304
 Volantino: PA+ottone nichelato / Knob: PA+nickel plated brass / Sterngriff: PA+Messing vernickelt

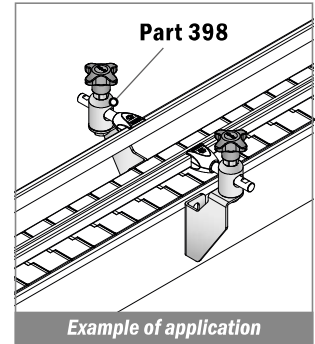
398 Supporto laterale inox -medio- orientabile SS bracket -medium- adjustable / Edelstahl Geländerhalter -medium- einstellbar

NOW ALSO IN HYGIENIC BLUE

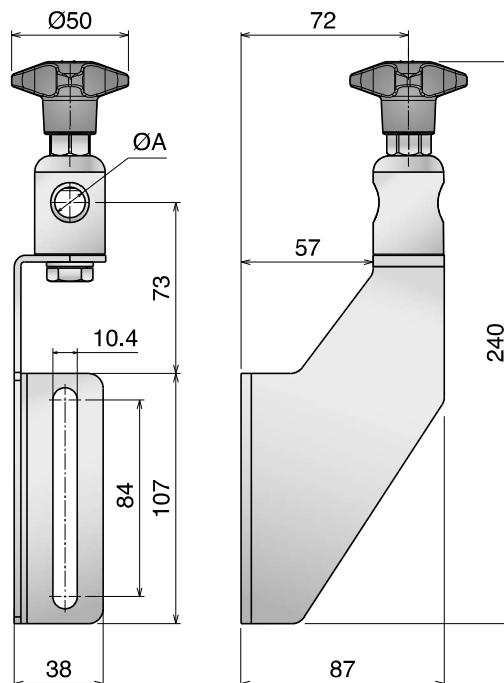
Delivery: **Easy** Standard



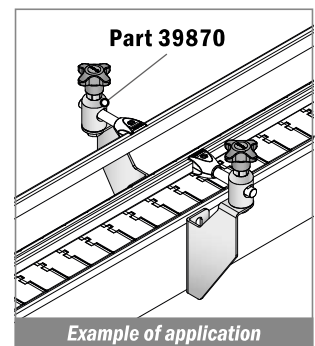
Part	Article-Nr.	ØA	Knob Colour
398	39860	12	Black
398	39862	14	Black
398	39861	16	Black
398	9860HB	12	Hygienic blue
398	9862HB	14	Hygienic blue
398	9861HB	16	Hygienic blue



Supporto laterale inox -grande- orientabile SS bracket -large- adjustable / Edelstahl Geländerhalter -groß- einstellbar



Part	Article-Nr.	ØA	Knob Colour
398	39870	12	Black
398	39872	14	Black
398	39871	16	Black
398	9870HB	12	Hygienic blue
398	9872HB	14	Hygienic blue
398	9871HB	16	Hygienic blue



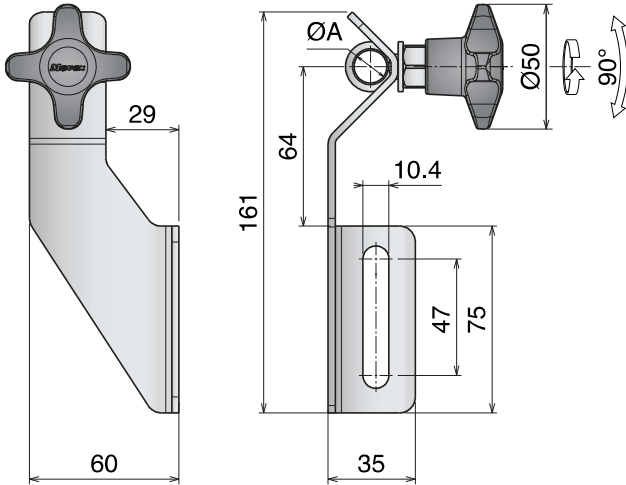
NEW

398

Supporto laterale inox - piccolo
 SS bracket -small / Edelstahl Geländerhalter -klein

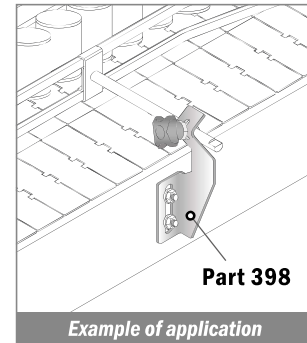
Stainless Steel | AISI 304

Width 60 mm - Height 64 mm



Advantages:

- Hygienic design
- Stronger design
- Easy to install
- Corrosion resistant
- High temperature resistant
- Fixing system customizable



Stainless steel knob

Plastic knob

Stainless steel nut



Part	Article-Nr.	ØA
398	39810SK	12-13
398	39811SK	14
398	39812SK	16

Part	Article-Nr.	ØA
398	39810	12-13
398	39811	14
398	39812	16

Part	Article-Nr.	ØA
398	39810S	12-13
398	39811S	14
398	39812S	16

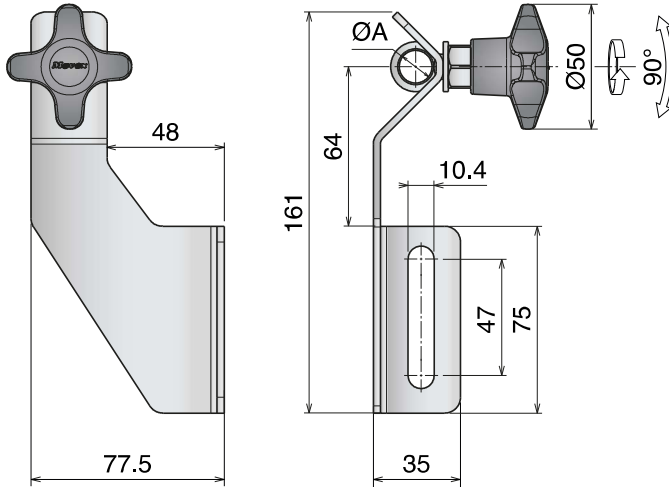
NEW

398

Supporto laterale inox -medio
 SS bracket -medium / Edelstahl Geländerhalter -medium

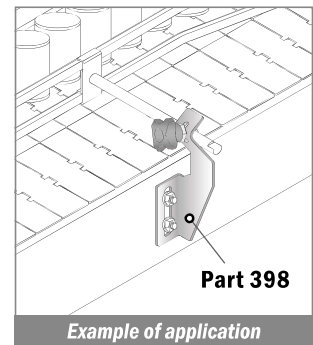
Stainless Steel | AISI 304

Width 77,5 mm – Height 64 mm



Advantages:

- Hygienic design
- Stronger design
- Easy to install
- Corrosion resistant
- High temperature resistant
- Fixing system customizable



Stainless steel knob



Plastic knob



Stainless steel nut



Part	Article-Nr.	ØA
398	39820SK	12-13
398	39821SK	14
398	39822SK	16

Part	Article-Nr.	ØA
398	39820	12-13
398	39821	14
398	39822	16

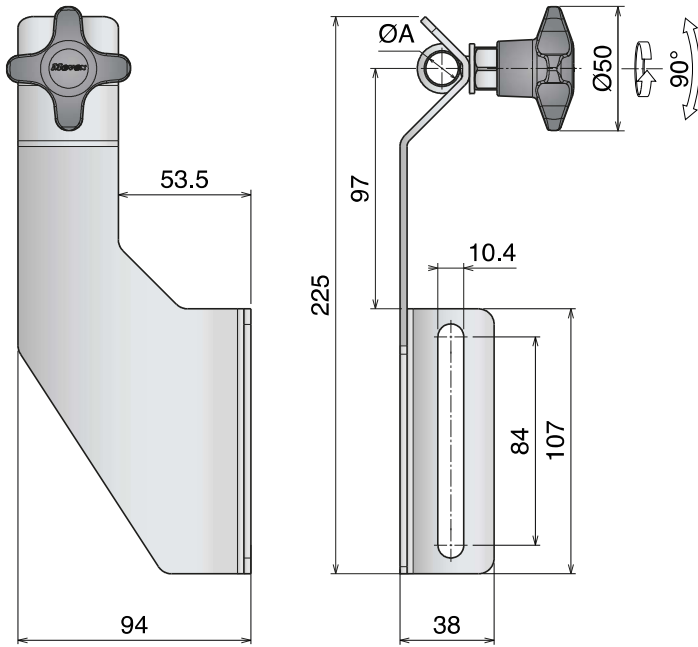
Part	Article-Nr.	ØA
398	39820S	12-13
398	39821S	14
398	39822S	16

NEW 398 Supporto laterale inox -grande
 SS bracket -large / Edelstahl Geländerhalter -groß

Stainless Steel | AISI 304

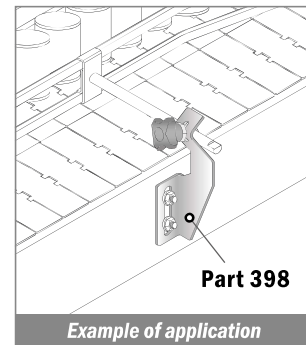
Delivery: **Easy** **Standard**

Width 94 mm - Height 97 mm



Advantages:

- Hygienic design
- Stronger design
- Easy to install
- Corrosion resistant
- High temperature resistant
- Fixing system customizable



Stainless steel knob



Plastic knob



Stainless steel nut



Part	Article-Nr.	ØA
398	39830SK	12-13
398	39831SK	14
398	39832SK	16

Part	Article-Nr.	ØA
398	39830	12-13
398	39831	14
398	39832	16

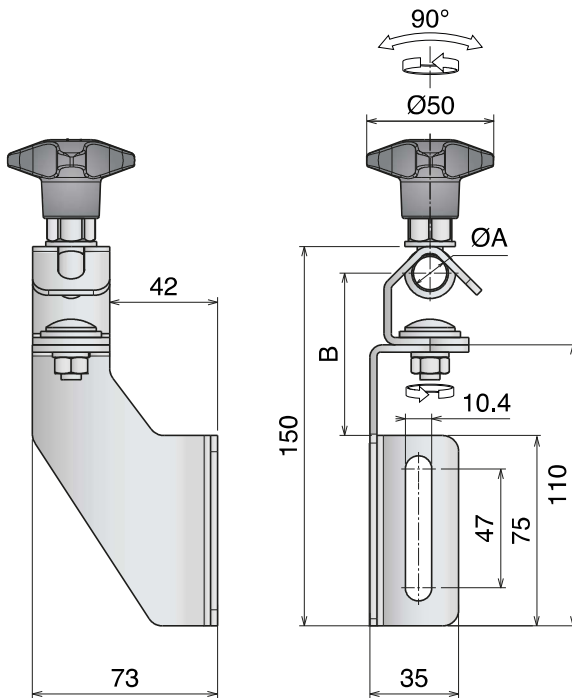
Part	Article-Nr.	ØA
398	39830S	12-13
398	39831S	14
398	39832S	16

NEW 398

Supporto laterale inox -medio- orientabile
 SS bracket -medium- adjustable / Edelstahl Geländerhalter -medium- einstellbar

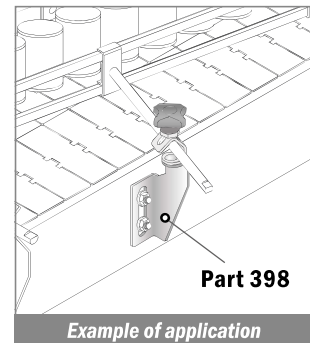
Stainless Steel | AISI 304

Width 73 mm - Height 64 mm



Advantages:

- Hygienic design
- Stronger design
- Easy to install
- Corrosion resistant
- High temperature resistant
- Fixing system customizable



Stainless steel knob



Part	Article-Nr.	ØA	B
398	39840SK	12-13	64
398	39841SK	14	62,5
398	39842SK	16	61

Plastic knob



Part	Article-Nr.	ØA	B
398	39840	12-13	64
398	39841	14	62,5
398	39842	16	61

Stainless steel nut



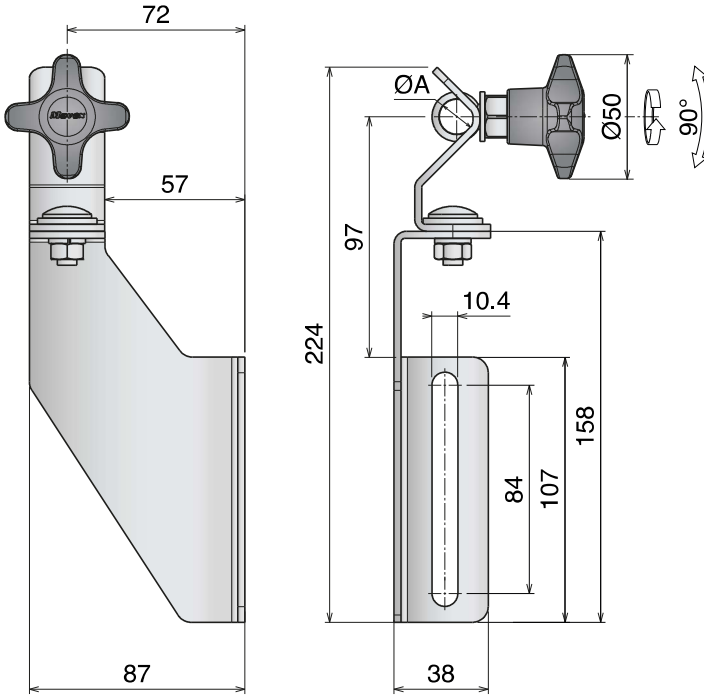
Part	Article-Nr.	ØA	B
398	39840S	12-13	64
398	39841S	14	62,5
398	39842S	16	61

NEW 398 Supporto laterale inox -grande- orientabile
 SS bracket -large- adjustable / Edelstahl Geländerhalter -groß- einstellbar

Stainless Steel | AISI 304

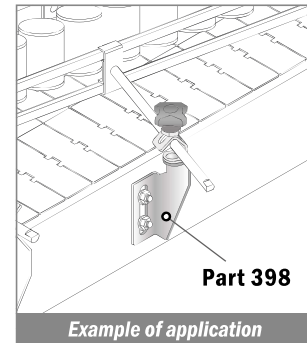
Delivery: **Easy** Standard

Width 87 mm – Height 97 mm



Advantages:

- Hygienic design
- Stronger design
- Easy to install
- Corrosion resistant
- High temperature resistant
- Fixing system customizable



Stainless steel knob



Part	Article-Nr.	ØA
398	39850SK	12-13
398	39851SK	14
398	39852SK	16

Plastic knob



Part	Article-Nr.	ØA
398	39850	12-13
398	39851	14
398	39852	16

Stainless steel nut



Part	Article-Nr.	ØA
398	39850S	12-13
398	39851S	14
398	39852S	16

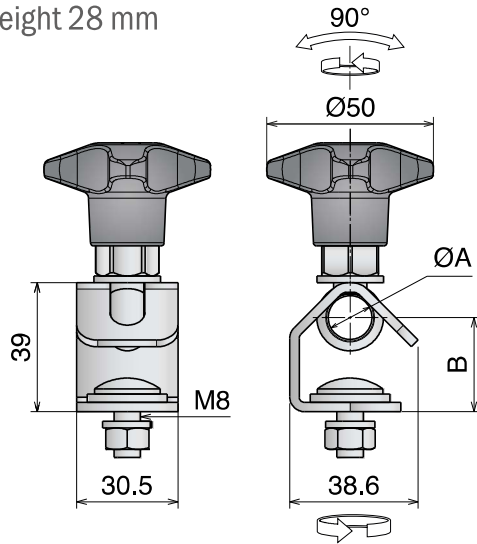
NEW

398

Testina orientabile inox -media
 Stainless steel adjustable head -medium / Edelstahl Schwenkopf -medium

Stainless Steel | AISI 304

Height 28 mm



Advantages:

- Hygienic design
- Stronger design
- Easy to install
- Corrosion resistant
- High temperature resistant
- Fixing system customizable

Stainless steel knob



Part	Article-Nr.	ØA	B
398	39845SK	12-13	29
398	39846SK	14	27,5
398	39847SK	16	26

Plastic knob



Part	Article-Nr.	ØA	B
398	39845	12-13	29
398	39846	14	27,5
398	39847	16	26

Stainless steel nut

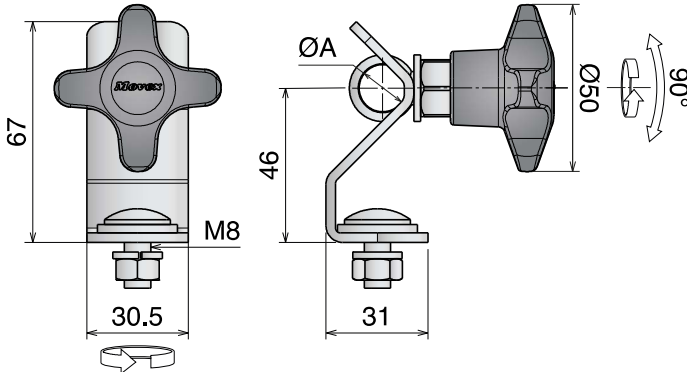


Part	Article-Nr.	ØA	B
398	39845S	12-13	29
398	39846S	14	27,5
398	39847S	16	26

NEW 398 Testina orientabile inox -alta
 Stainless steel adjustable head -large / Edelstahl Schwenkkopf -groß

Stainless Steel | AISI 304

Height 46 mm



Advantages:

- Hygienic design
- Stronger design
- Easy to install
- Corrosion resistant
- High temperature resistant
- Fixing system customizable

Stainless steel knob



Part	Article-Nr.	ØA
398	39855SK	12-13
398	39856SK	14
398	39857SK	16

Plastic knob



Part	Article-Nr.	ØA
398	39855	12-13
398	39856	14
398	39857	16

Stainless steel nut



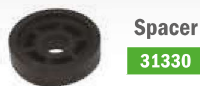
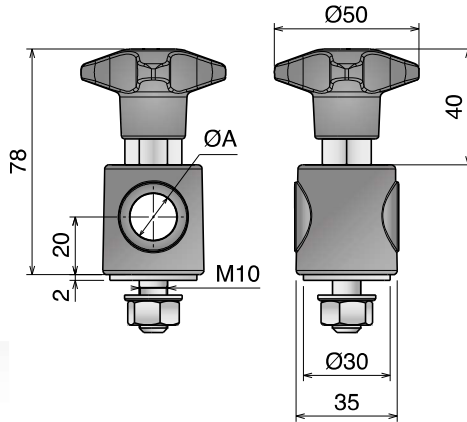
Part	Article-Nr.	ØA
398	39855S	12-13
398	39856S	14
398	39857S	16

Materiale / Material / Materialien:

Volantino: PA+ottone nichelato / Knob: PA+nickel plated brass/Sterngriff: PA+ Messing vernickelt
 Tirante: Acciaio inox/Eyebolt: Stainless steel/Augenschraube: Edelstahl
 Testina: PA o Acciaio inox/Head: PA or stainless steel/Schwenkkopf: PA oder Edelstahl
 Vite, rondella e dado: Acciaio inox/Screw, washer and nut: Stainless steel/Schraube, Scheibe und Mutter: Edelstahl

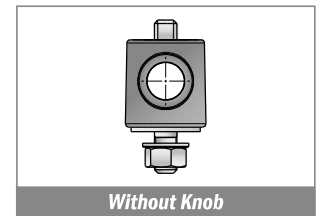
313 Testina orientabile Adjustable head / Schwenkkopf

Delivery: **Easy** Standard



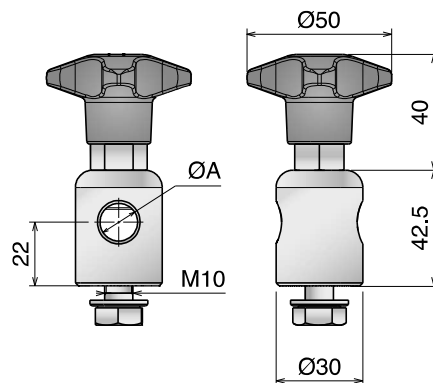
NOW ALSO IN HYGIENIC BLUE

Part	Article-Nr.	ØA	Knob Colour
313	31301	12	Black
313	31303	14	Black
313	31302	16	Black
313	31351	12	Hygienic blue
313	31353	14	Hygienic blue
313	31352	16	Hygienic blue
313	31311	12-without knob	-
313	31313	14-without knob	-
313	31312	16-without knob	-



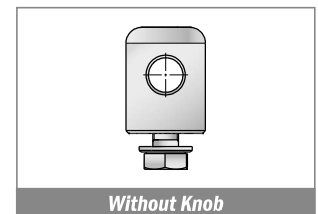
314 Testina orientabile, acciaio inox Adjustable head, stainless steel / Schwenkkopf, Edelstahl

Delivery: **Easy** Standard

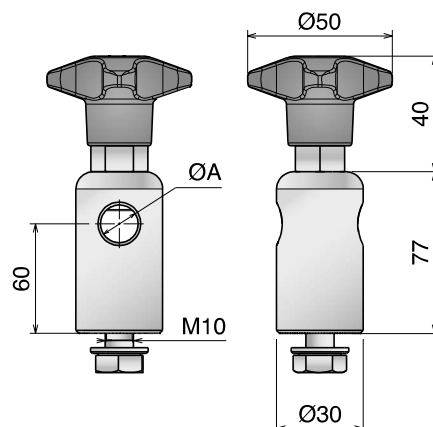


NOW ALSO IN HYGIENIC BLUE

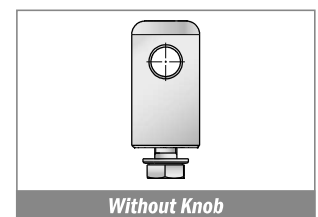
Part	Article-Nr.	ØA	Knob Colour
314	31401	12	Black
314	31403	14	Black
314	31402	16	Black
314	31451	12	Hygienic blue
314	31453	14	Hygienic blue
314	31452	16	Hygienic blue
314	31411	12-without knob	-
314	31413	14-without knob	-
314	31412	16-without knob	-



Testina orientabile alta, acciaio inox Adjustable head, stainless steel / Schwenkkopf, Edelstahl



Part	Article-Nr.	ØA
314	31409	12
314	31414	14
314	31410	16
314	31419	12-without knob
314	31421	14-without knob
314	31420	16-without knob



315 Supporto laterale "L" L-bracket / Winkel

Delivery: **Easy** **Standard**

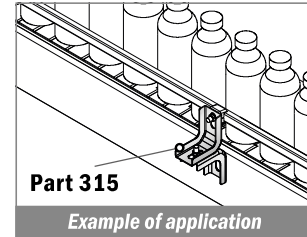
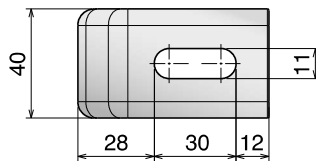
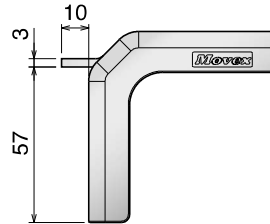
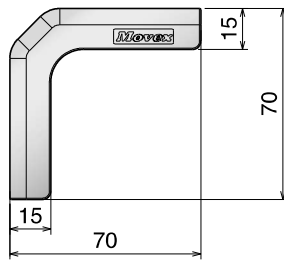
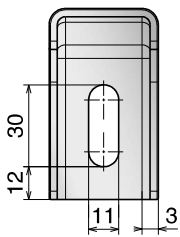
Stainless Steel | AISI 304

Part	Article-Nr.	Type
315	31501	A
315	31502	B



TYPE A - WITHOUT NOSE

TYPE B - WITH NOSE



316 Supporto laterale "L" L-bracket / Winkel

Delivery: **Easy** **Standard**

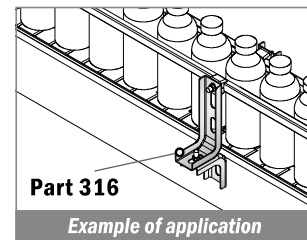
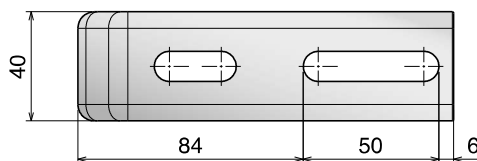
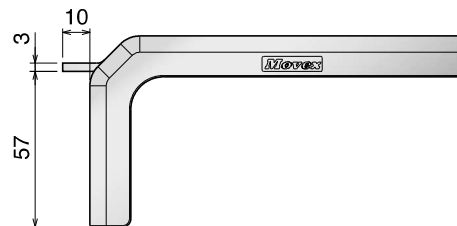
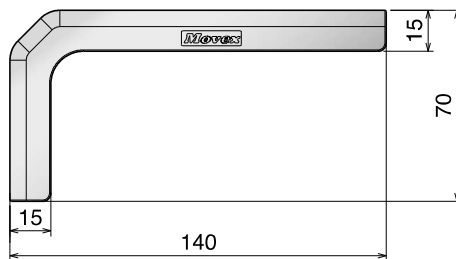
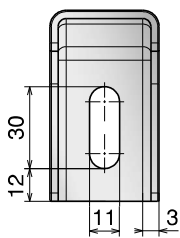
Stainless Steel | AISI 304

Part	Article-Nr.	Type
316	31601	A
316	31602	B



TYPE A - WITHOUT NOSE

TYPE B - WITH NOSE



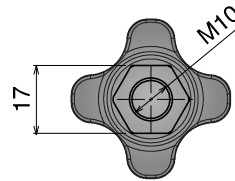
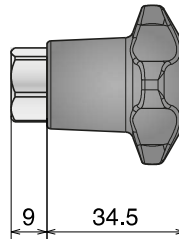
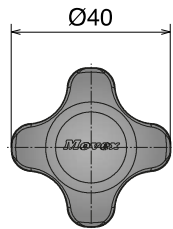
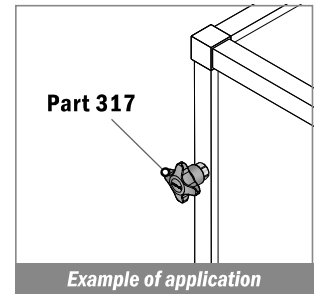
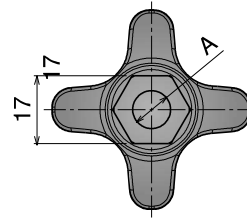
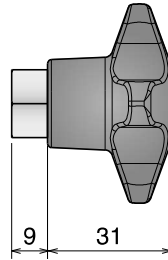
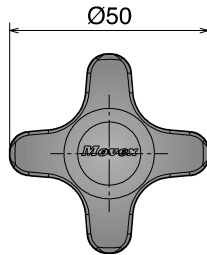
Materiale / Material / Materialien:
 Poliammide + ottone nichelato
 Polyamide + nickel plated brass
 Polyamid + Messing vernickelt

317 Volantino Star knob / Sterngriff

NOW ALSO IN HYGIENIC BLUE

Delivery: **Easy** **Standard**

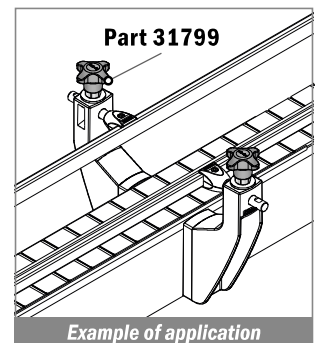
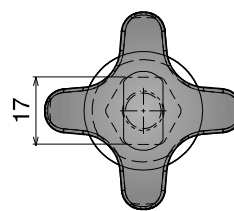
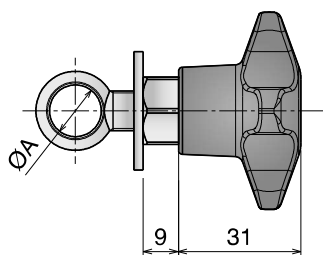
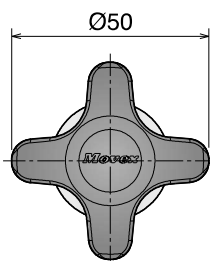
Part	Article-Nr.	A	Ø	Knob Colour
317	31702	M10	40	Black
317	31703	M8	50	Black
317	31701	M10	50	Black
317	31704	M12	50	Black
317	31753	M8	50	Hygienic blue
317	31751	M10	50	Hygienic blue
317	31754	M12	50	Hygienic blue



Volantino con tirante Star knob with eye-bolt / Sterngriff mit Augenschraube

NOW ALSO IN HYGIENIC BLUE

Part	Article-Nr.	ØA	Knob Colour
317	31799	12	Black
317	31797	14	Black
317	31798	16	Black
317	31759	12	Hygienic blue
317	31757	14	Hygienic blue
317	31758	16	Hygienic blue



Materiale / Material / Materialien:
 Poliammide + ottone nichelato / Acciaio inox / Ottone
 Polyamide + nickel plated brass / Stainless steel / Brass
 Polyamid + Messing vernickelt / Edelstahl / Messing

318-319-3001

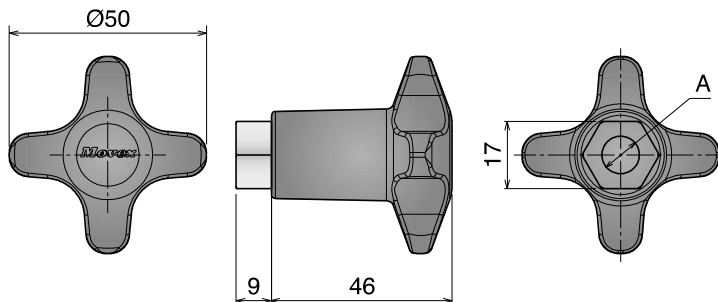
Componenti / Conveyor components / Komponenten

318 Volantino Star knob / Sterngriff

RANGE EXTENSION

Delivery: **Easy** **Standard**

Part	Article-Nr.	A
318	31802	M8
318	31801	M10
318	31803	M12

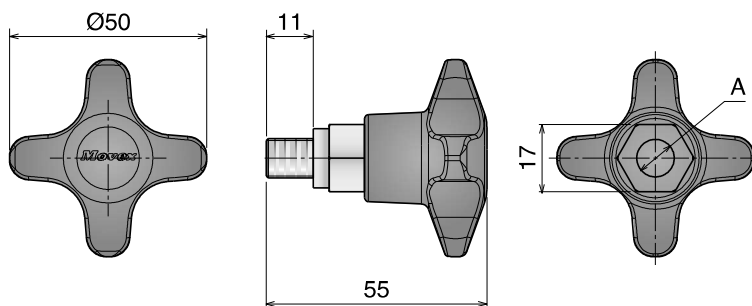


319 Volantino Star knob / Sterngriff

RANGE EXTENSION

Delivery: **Easy** **Standard**

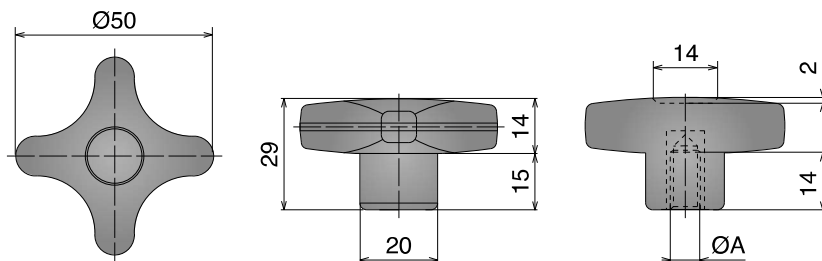
Part	Article-Nr.	A
319	31903	M8
319	31901	M10
319	31904	M12



3001 Volantino a croce con boccola filettata Star knob with threaded bush / Sterngriff mit Innengewinde

RANGE EXTENSION

Part	Article-Nr.	ØA	Threaded bush
3001	300103	M8	Stainless steel
3001	300101	M10	Stainless steel
3001	300105	M12	Stainless steel
3001	300104	M8	Brass
3001	300102	M10	Brass
3001	300106	M12	Brass



Materiale / Material / Materialien:

Part. 317: Acciaio inox / Stainless steel / Edelstahl

Part. 320: Poliammide + ottone nichelato / Polyamide + nickel plated brass / Polyamid + messing vernickelt

Part.3007: Poliammide + ottone / Polyamide + brass / Polyamid + messing

NEW

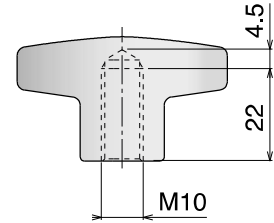
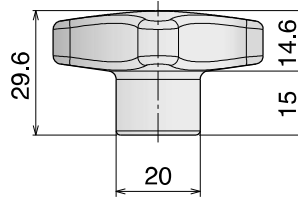
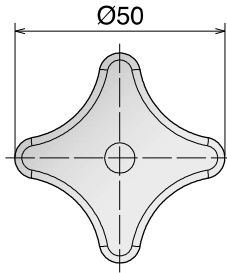
317

Volantino Acciaio inox
Star knob stainless steel / Sterngriff Edelstahl

Stainless Steel | AISI 304

Delivery: **Easy** **Standard**

Part	Article-Nr.	ØA
317	31721	M10

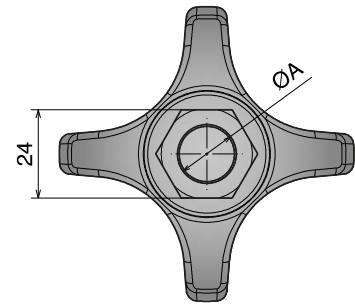
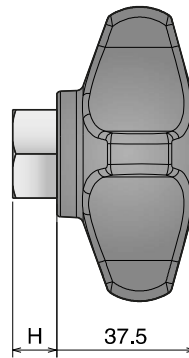
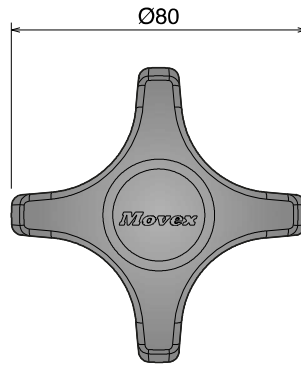


320

Volantino Ø80
Star knob Ø80 / Sterngriff Ø80

Delivery: **Easy** **Standard**

Part	Article-Nr.	ØA	H
320	32001	M12	12
320	32002KN	M16	15

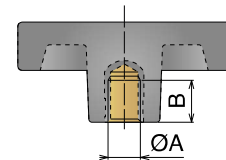
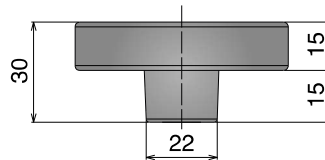
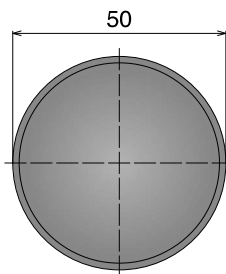


NEW

3007

Impugnatura con boccola filettata
Knob with threaded bushing / Drehgriff mit Gewindebuchse

Part	Article-Nr.	ØA	B
3007	300701	M8	15
3007	300702	M10	14
3007	300703	M12	18



Materiale / Material / Materialien:

Part. 3008: Poliammide + acciaio zincato / Polyamide + galvanised steel

Polyamid + verzinktem stahl

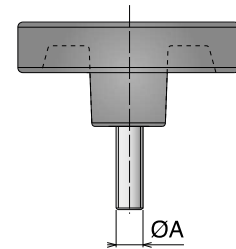
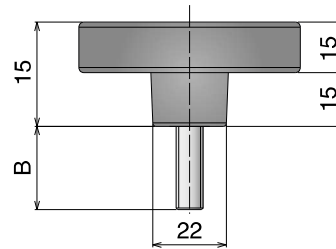
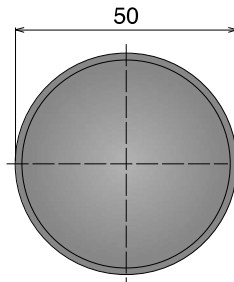
Part. 3002: Poliammide + ottone / Polyamide + brass / Polyamid + messing

3008-3002

Componenti / Conveyor components / Komponenten

NEW

3008 Impugnatura con perno filettato Knob with threaded pin / Drehgriffschraube



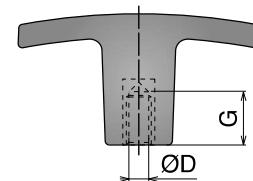
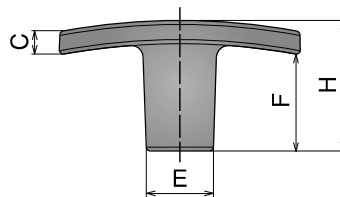
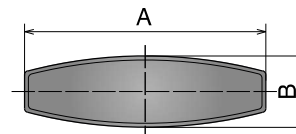
Part	Article-Nr.	ØA	B
3008	300801	M8	25
3008	300802	M10	25
3008	300803	M12	30

3002 Tirante con boccola filettata Handle with threaded insert / T-Griff mit Innengewinde

Delivery: **Easy** **Standard**



Part	Article-Nr.	A	B	C	ØD	E	F	G	H
3002	300201	50	15	5	M6	14	17	10	24
3002	300202	50	15	5	M8	14	17	14	24
3002	300203	60	18	6	M10	16.5	24	21	33

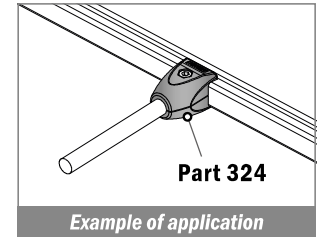
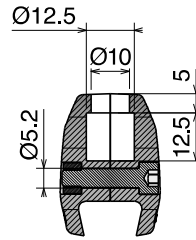
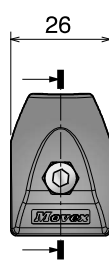


324 Morsetto singolo per guida laterale conica Single clamp for conical side guide / Einfachklemme für konische Seitenführung

NOW ALSO IN HYGIENIC BLUE

Delivery: **Easy** **Standard** Used with Part 349/350 Pag 478 and Part 356 Pag 481

Part	Article-Nr.	ØA	Colour
324	32401	without pin	Black
324	32451	without pin	Hygienic blue

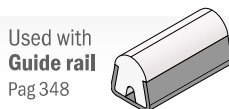
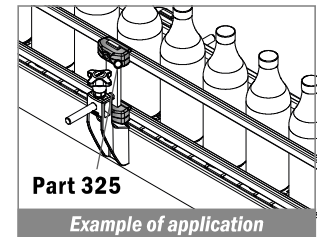
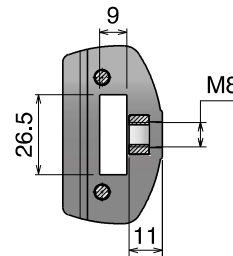
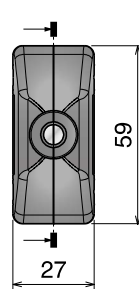
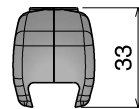


325 Morsetto singolo per guida laterale conica Single clamp for conical side guide / Einfachklemme für konische Seitenführung

NOW ALSO IN HYGIENIC BLUE

Delivery: **Easy** **Standard**

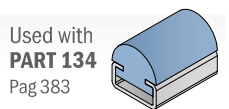
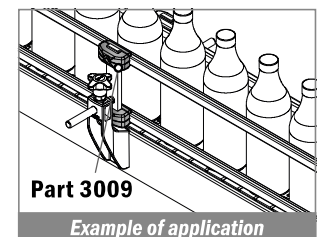
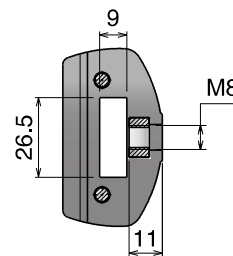
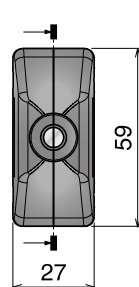
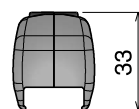
Part	Article-Nr.	ØA	Colour
325	32501	without pin	Black
325	32551	without pin	Hygienic blue



NEW 3009 Morsetto singolo per guida laterale Single clamp for side guide / Einfachklemme für Seitenführung

NOW ALSO IN HYGIENIC BLUE

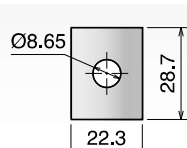
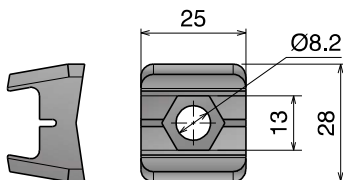
Part	Article-Nr.	ØA	Colour
3009	300901	without pin	Black
3009	300902	without pin	Hygienic blue



Materiale / Material / Materialien:
 Part. 326: Poliammide / Polyamide / Polyamid
 Part. 3013: Acciaio inox / Stainless steel / Edelstahl
 Part. 3010: Acciaio inox / Stainless steel / Edelstahl

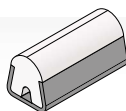
326 Morsetto singolo per guida laterale conica Single clamp for conical side guide / Einfachklemme für konische Seitenführung

Delivery: **Easy** **Standard**



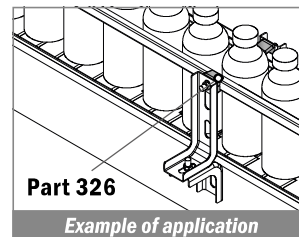
Reinforced plate 33201
 3 mm thickness

Used with
Guide rail
 Pag 348



NOW ALSO IN HYGIENIC BLUE

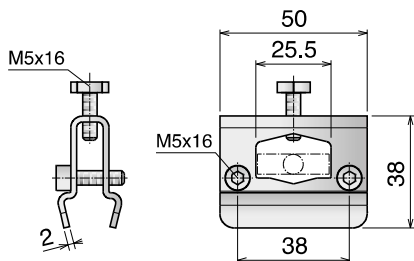
Part	Article-Nr.	Colour
326	32601	Black
326	32651	Hygienic blue



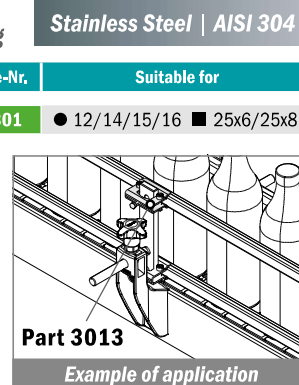
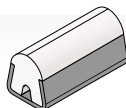
NEW 3013 Morsetto singolo per guida laterale conica Single clamp for conical side guide / Einfachklemme für konische Seitenführung

Delivery: **Easy** **Standard** Screws supplied not assembled

Part	Article-Nr.	Suitable for
3013	301301	● 12/14/15/16 ■ 25x6/25x8



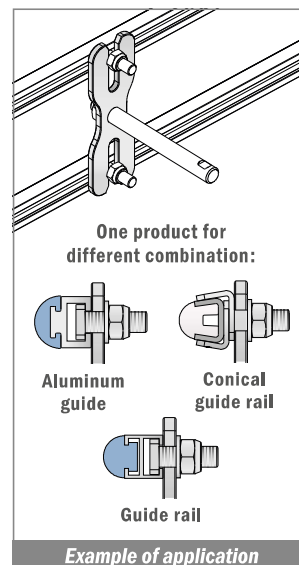
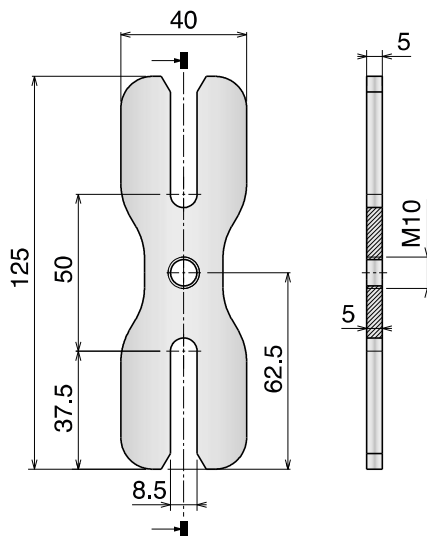
Used with
Guide rail
 Pag 348



NEW 3010 Morsetto doppio regolabile Adjustable double clamp / Einstellbare Doppelklemme

Delivery: **Easy** **Standard**

Part	Article-Nr.	ØA
3010	301001	without pin



Materiale / Material / Materialien:

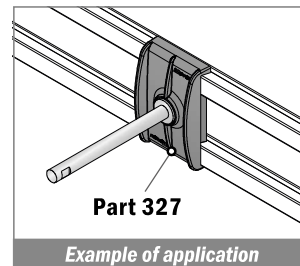
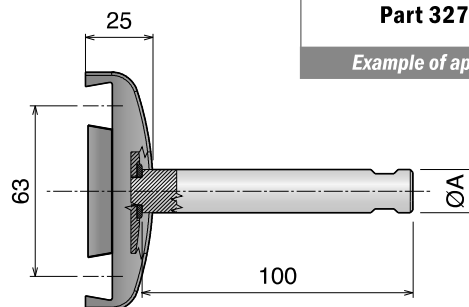
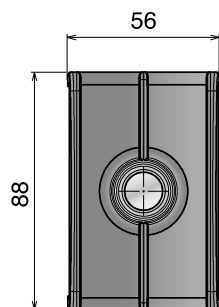
Morsetto: PA/Clamp: PA/Klemme: PA

Perno e rondella: Acciaio inox/Pin and washer: Stainless steel/Bolzen und Scheibe: Edelstahl

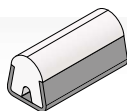
Dado: ottone nichelato/Nut: nickel plate brass/Mutter: Messing vernickelt

327 Morsetto doppio per guida laterale conica Double clamp for conical side guide / Doppelklemme für konische Seitenführung

Delivery: **Easy** Standard

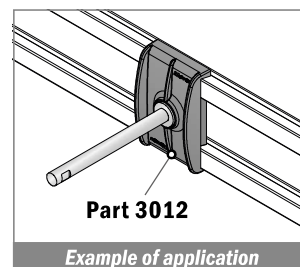
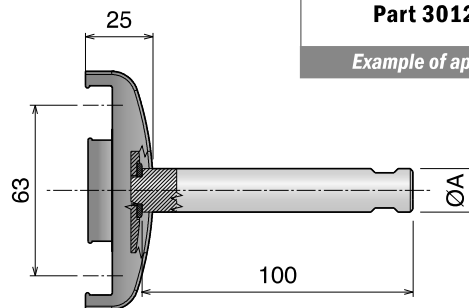
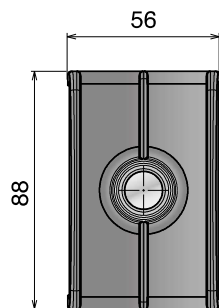


Used with
Guide rail
Pag 348

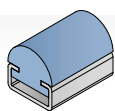


Part	Article-Nr.	ØA
327	32701	without pin
327	32702	12
327	32703	16

NEW 3012 Morsetto doppio per guida laterale Double clamp for side guide / Doppelklemme für Seitenführung



Used with
PART 134
Pag 383



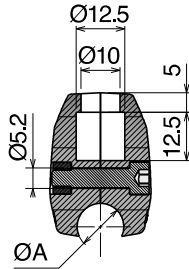
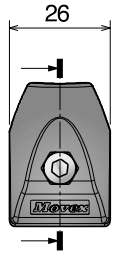
Part	Article-Nr.	ØA
3012	301201	without pin
3012	301202	12
3012	301203	16

Materiale / Material / Materialien: Morsetti: PA/Clamp: PA/Klemme: PA
 Vite, perno e rondella: Acciaio inox/Screw, pin and washer: Stainless steel
 Schraube, Bolzen und Scheibe: Edelstahl
 Dado: ottone nichelato/Nut: nickel plated brass/Mutter: Messing vernickelt

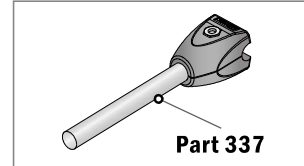
337 Morsetto singolo per rondino Single clamp for round bar / Einfachklemme für Rund Profil

NOW ALSO IN HYGIENIC BLUE

Delivery: **Easy** **Standard** Used with Part 349/350 Pag 478 and Part 356 Pag 481



Part	Article-Nr.	ØA	Colour
337	33701	10	Black
337	33702	12	Black
337	33751	10	Hygienic blue
337	33752	12	Hygienic blue



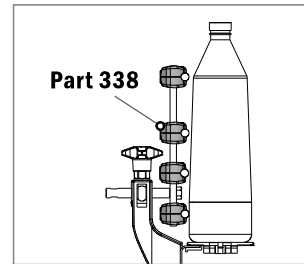
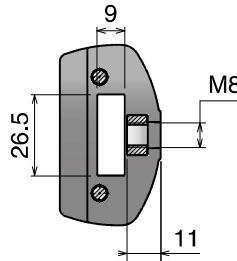
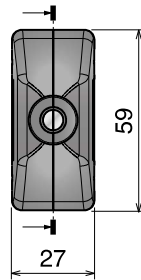
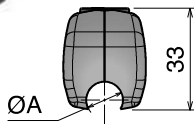
Example of application

338 Morsetto singolo per rondino Single clamp for round bar / Einfachklemme für Rund Profil

NOW ALSO IN HYGIENIC BLUE

Delivery: **Easy** **Standard**

Part	Article-Nr.	ØA	Colour
338	33801	10	Black
338	33802	12	Black
338	33851	10	Hygienic blue
338	33852	12	Hygienic blue



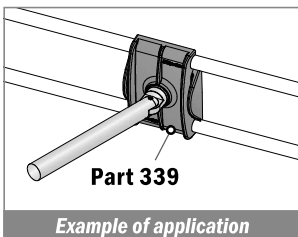
Example of application

339 Morsetto doppio per rondino Double clamp for round bar / Doppelklemme für Rund Profil

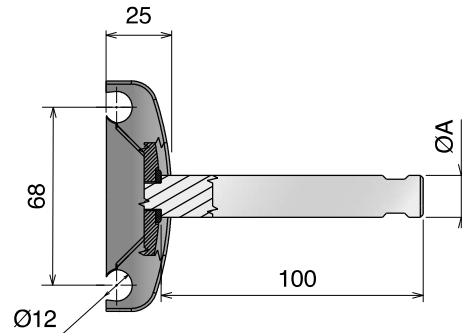
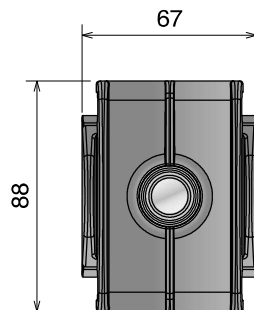
NOW ALSO IN HYGIENIC BLUE

Delivery: **Easy** **Standard**

Part	Article-Nr.	ØA	Colour
339	33901	without pin	Black
339	33902	12	Black
339	33904	14	Black
339	33903	16	Black
339	33951	without pin	Hygienic blue
339	33952	12	Hygienic blue
339	33954	14	Hygienic blue
339	33953	16	Hygienic blue

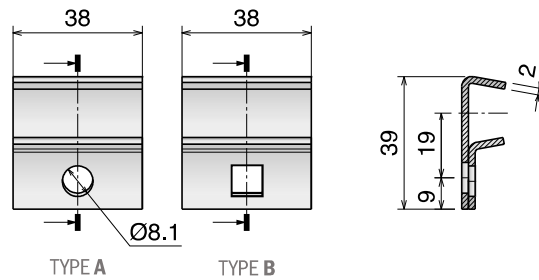


Example of application

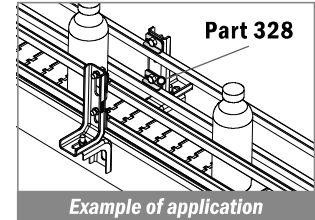


328 Morsetto singolo per guida laterale conica Single clamp for conical side guide / Einfachklemme für konische Seitenführung

Delivery: **Easy** **Standard** Used with Guide rail Pag 348

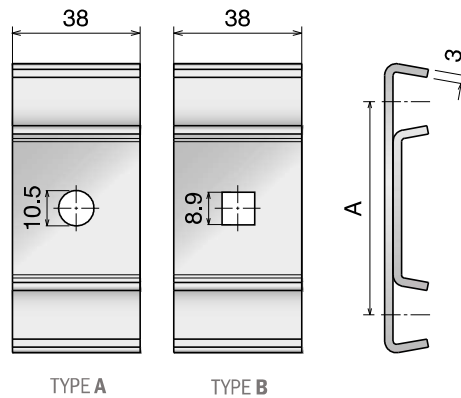


Part	Article-Nr.	Material	Type
328	32801	AISI 304	A
328	32802	AISI 304	B
328	32811	AISI 316	A

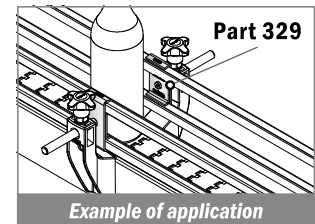


329 Morsetto doppio per guida laterale conica Double clamp for conical side guide / Doppelklemme für konische Seitenführung

Delivery: **Easy** **Standard** Used with Guide rail Pag 348

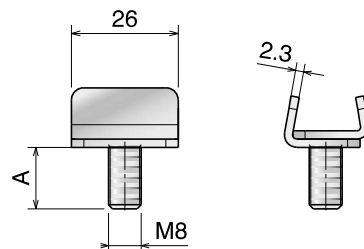


Part	Article-Nr.	A	Type
329	32904	50,0	A
329	32901	63,5	A
329	32902	82,55	A
329	32903	95,25	A
329	32911	63,5	B
329	32912	82,55	B
329	32913	95,25	B

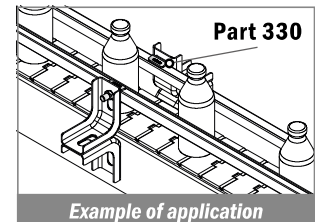


330 Morsetto singolo per guida laterale conica Single clamp for conical side guide / Einfachklemme für konische Seitenführung

Delivery: **Easy** **Standard** Used with Guide rail Pag 348

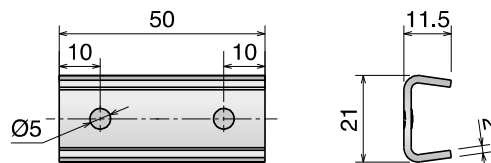


Part	Article-Nr.	A
330	33001	15
330	33003	20
330	33002	25
330	33004	30

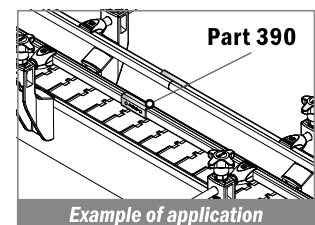


390 Elemento di giunzione Connecting element / Verbinder

Delivery: **Easy** **Standard** Used with Guide rail Pag 348



Part	Article-Nr.
390	39001



Materiale / Material / Materialien: Acciaio inox/Stainless steel/Edelstahl
 Morsetto: Resina acetilica/Clamp: Acetal resin/Klemme: Azetal
 Vite, perno e dado: Acciaio inox/Screw, pin and nut: Stainless steel
 Schraube, Bolzen und Mutter: Edelstahl

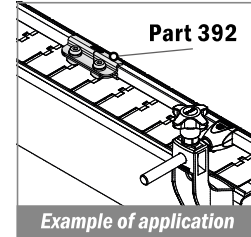
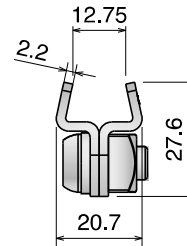
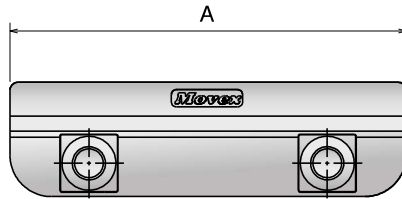
392-393-336

Componenti / Conveyor components / Komponenten

392 Elemento di connessione Connecting clamp / Verbindungsklemme

Delivery: **Easy** **Standard** Used with Guide rail Pag 348

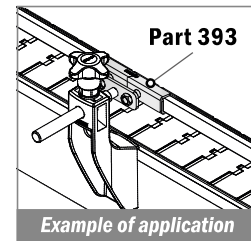
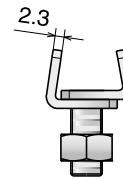
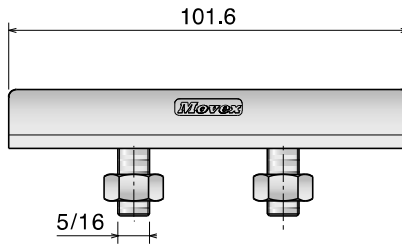
Part	Article-Nr.	A
392	39201	75
392	39202	100
392	39203	150



393 Elemento di connessione Connecting clamp / Verbindungsklemme

Delivery: **Easy** **Standard** Used with Guide rail Pag 348

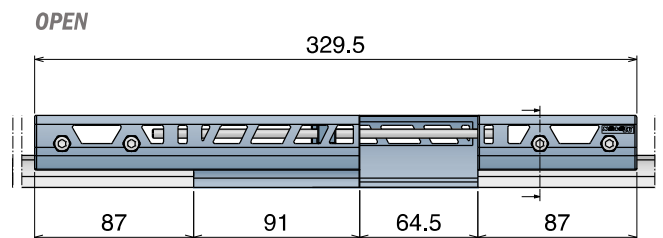
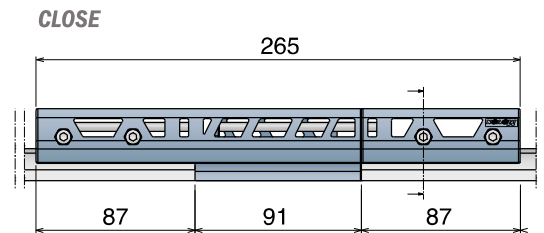
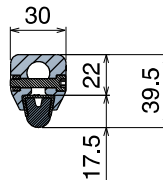
Part	Article-Nr.
393	39302



336 Morsetto regolabile guide coniche Adjustable clamp for conical guide / verstellbare Klemme für konische Führungen

Delivery: **Easy** **Standard** Used with Guide rail Pag 348

Part	Article-Nr.
336	33601



Materiali / Material / Materialien: Acciaio inox/Stainless steel/Edelstahl

Morsetto: PA/Clamp: PA/Klemme: PA

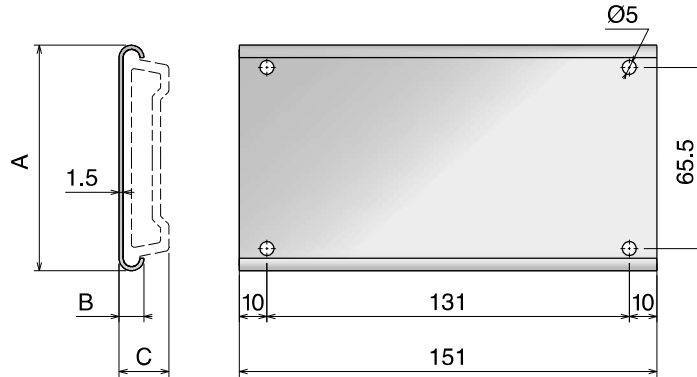
Vite, perno e rondella: Acciaio inox/Screw, pin and washer: Stainless steel/Schraube, Bolzen und Scheibe: Edelstahl

Dado: ottone nichelato/Nut: nickel plated brass/Mutter: Messing vernickelt

394 Morsetto di giunzione Joint clamp / Verbindungsplatte

Delivery: **Easy** **Standard** Used with Part 135/136 Pag 400

Part	Article-Nr.	A	B	C
394	39401	81,5	9	18
394	39402	90	8	17



341 Morsetto Clamp / Klemme

Delivery: **Easy** **Standard** Versions without pins don't include nuts and washer too

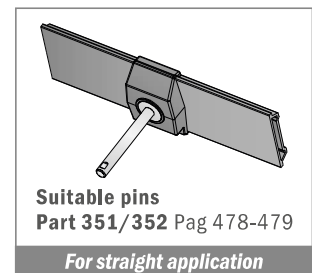
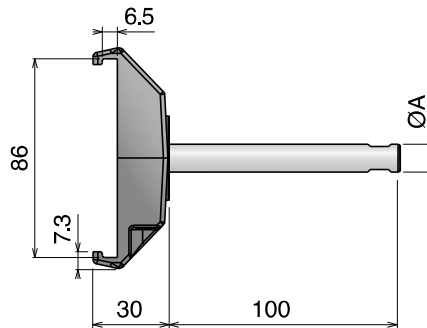
NOW ALSO IN HYGIENIC BLUE

Part	Article-Nr.	ØA	Colour
341	34101	without pin	Black
341	34102	12	Black
341	34103	16	Black
341	34151	without pin	Hygienic blue
341	34152	12	Hygienic blue
341	34153	16	Hygienic blue



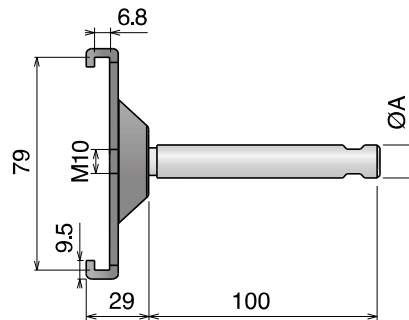
TYPE A

Used with Part 136 Pag 400



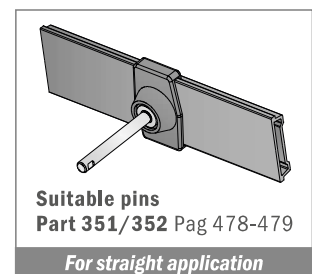
TYPE B

Used with Part 135 Pag 400



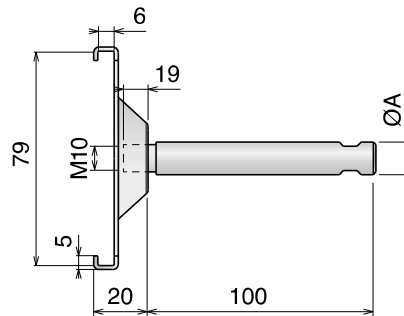
NOW ALSO IN HYGIENIC BLUE

Part	Article-Nr.	ØA	Colour
341	34111	without pin	Black
341	34112	12	Black
341	34113	16	Black
341	34161	without pin	Hygienic blue
341	34162	12	Hygienic blue
341	34163	16	Hygienic blue



3310 Morsetto acciaio inox Clamp, stainless steel / Klemme, Edelstahl

Delivery: **Easy** **Standard** Used with Part 135 Pag 400 - Suitable pins Part 351/352 Pag 478-479

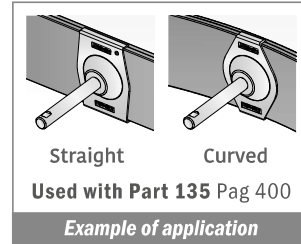


For straight application

Part	Article-Nr.	ØA
3310	33101	without pin
3310	33102	12
3310	33103	16

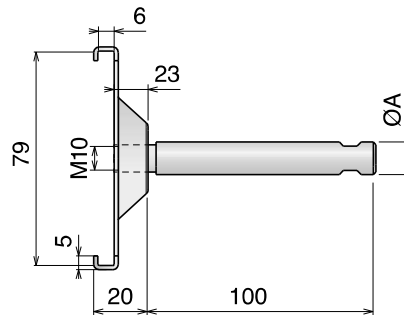
For curved application

Part	Article-Nr.	ØA
3310	33105	without pin
3310	33106	12
3310	33107	16



3311 Morsetto acciaio inox Clamp, stainless steel / Klemme, Edelstahl

Delivery: **Easy** **Standard** Suitable pins Part 3004/3005 Pag 479

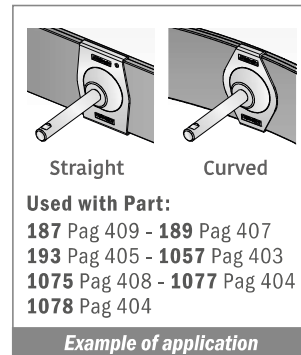


For straight application

Part	Article-Nr.	ØA
3311	33112	12
3311	33113	16

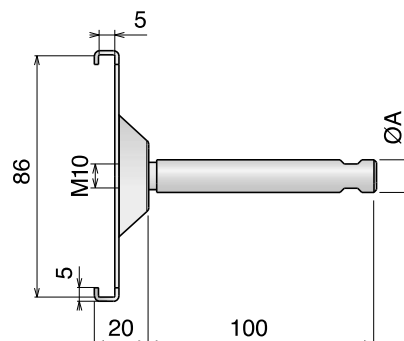
For curved application

Part	Article-Nr.	ØA
3311	33116	12
3311	33117	16

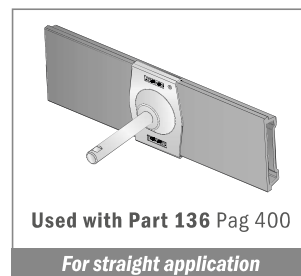


345 Morsetto acciaio inox Clamp, stainless steel / Klemme, Edelstahl

Delivery: **Easy** **Standard** Suitable pins Part 351/352 Pag 478-479

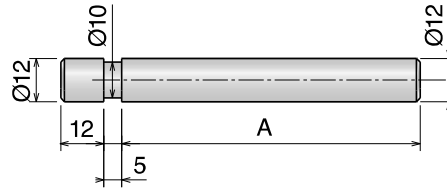


Part	Article-Nr.	ØA
345	34501	without pin
345	34502	12
345	34503	16

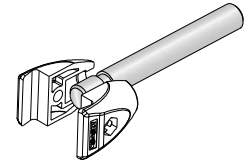


349 Perno Rod / Bolzen

Delivery: **Easy** **Standard**



Part	Article-Nr.	A
349	34901	80
349	34902	100
349	34903	150

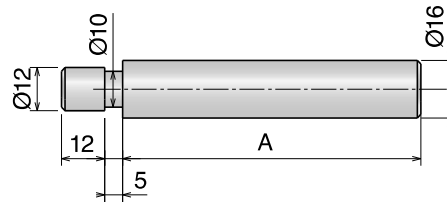


Used with Part:
324 Pag 470 - 337 Pag 473

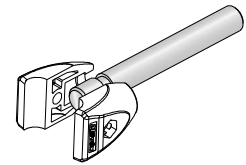
Example of application

350 Perno Rod / Bolzen

Delivery: **Easy** **Standard**



Part	Article-Nr.	A
350	35001	80
350	35002	100
350	35003	150

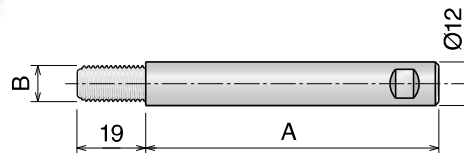


Used with Part:
324 Pag 470 - 337 Pag 473

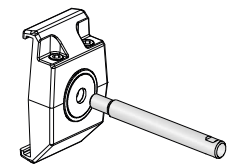
Example of application

351 Perno Rod / Bolzen

Delivery: **Easy** **Standard**



Part	Article-Nr.	A	B
351	35101	80	M10
351	35102	100	M10
351	35103	150	M10
351	35151	80	M8
351	35152	100	M8
351	35153	150	M8

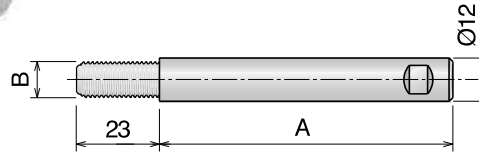


Used with Part:
341 Pag 476 - 345 Pag 477
3310 Pag 477

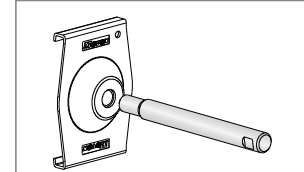
Example of application

NEW 3004 Perno Rod / Bolzen

Delivery: **Easy** Standard



Part	Article-Nr.	A	B
3004	300401	80	M10
3004	300402	100	M10
3004	300403	150	M10
3004	300451	80	M8
3004	300452	100	M8
3004	300453	150	M8

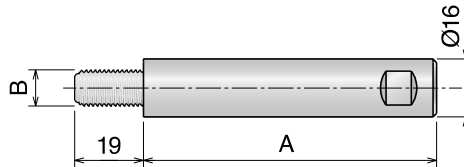


Used with Part:
3311 Pag 477

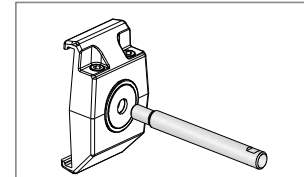
Example of application

352 Perno Rod / Bolzen

Delivery: **Easy** Standard



Part	Article-Nr.	A	B
352	35201	80	M10
352	35202	100	M10
352	35203	150	M10
352	35251	80	M8
352	35252	100	M8
352	35253	150	M8

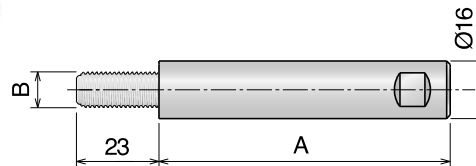


Used with Part:
341 Pag 476 345 Pag 477
3310 Pag 477

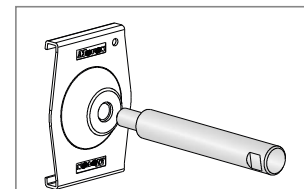
Example of application

NEW 3005 Perno Rod / Bolzen

Delivery: **Easy** Standard



Part	Article-Nr.	A	B
3005	300501	80	M10
3005	300502	100	M10
3005	300503	150	M10
3005	300551	80	M8
3005	300552	100	M8
3005	300553	150	M8

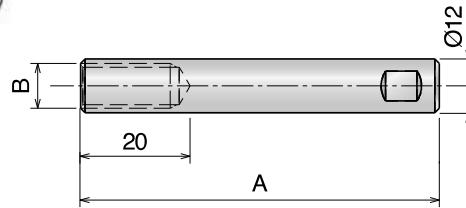


Used with Part:
3311 Pag 477

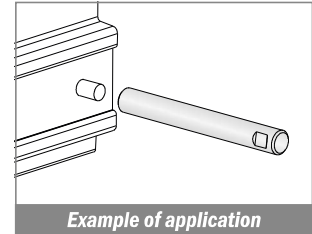
Example of application

347 Perno filettato femmina Rod / Bolzen

Delivery: **Easy** **Standard**

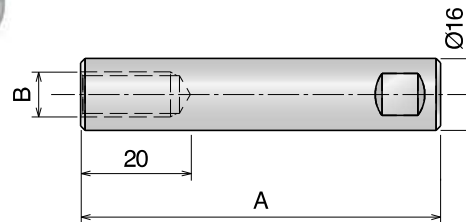


Part	Article-Nr.	A	B
347	34701	80	M10
347	34702	100	M10
347	34703	150	M10
347	34751	80	M8
347	34752	100	M8
347	34753	150	M8

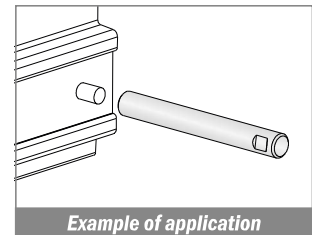


348 Perno filettato femmina Rod / Bolzen

Delivery: **Easy** **Standard**

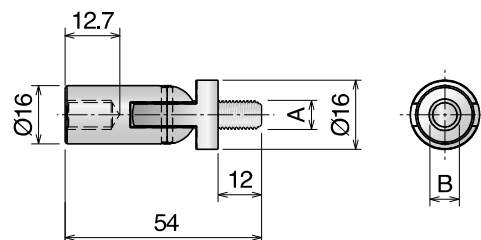


Part	Article-Nr.	A	B
348	34801	80	M10
348	34802	100	M10
348	34803	150	M10
348	34851	80	M8
348	34852	100	M8
348	34853	150	M8

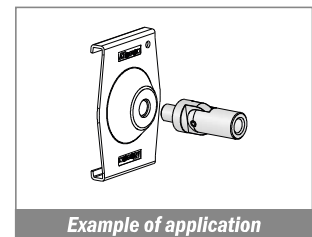


346 Snodo Joint rod adapter / Gelenk

Delivery: **Easy** **Standard**

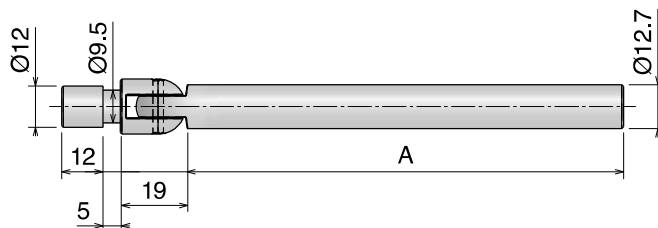


Part	Article-Nr.	A	B
346	34699	M8	M8
346	34602	M8	M10
346	34603	M10	M10

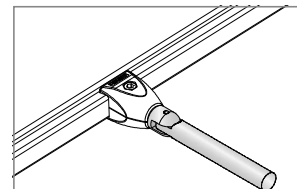


356 Perno snodato Jointed rods / Gelenkbolzen

Delivery: **Easy** **Standard**



Part	Article-Nr.	A
356	35601	80
356	35602	100
356	35603	150

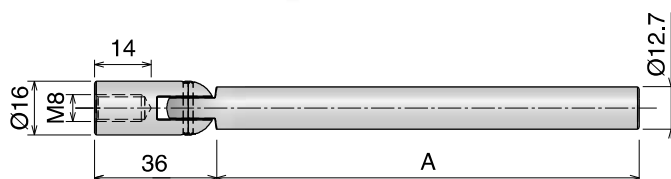


Used with Part:
 324 Pag 470
 337 Pag 473

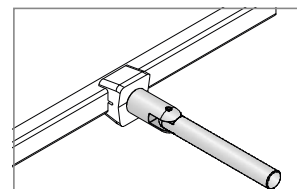
Example of application

357 Perno snodato Jointed rods / Gelenkbolzen

Delivery: **Easy** **Standard**



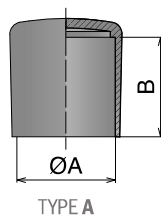
Part	Article-Nr.	A
357	35701	80
357	35702	100
357	35703	150



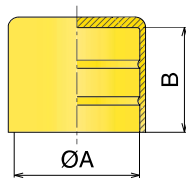
Example of application

NEW 3011 Cappucci terminali End caps / Abdeckstopfen

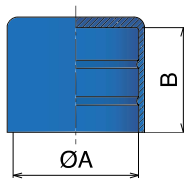
Delivery: **Easy** **Standard**



TYPE A



TYPE B



TYPE C

Part	Article-Nr.	ØA	B	Colour	Type
3011	301101A	Ø12	12,3	Black	A
3011	301102A	Ø14	12,8	Black	A
3011	301103A	Ø16	16,4	Black	A
3011	301104A	Ø20	20,1	Black	A
3011	301101B	Ø12	20	Yellow	B
3011	301102B	Ø14	20	Yellow	B
3011	301103B	Ø16	20	Yellow	B
3011	301104B	Ø20	20	Yellow	B
3011	301101C	Ø12	20	Hygienic blue	C
3011	301102C	Ø14	20	Hygienic blue	C
3011	301103C	Ø16	20	Hygienic blue	C
3011	301104C	Ø20	20	Hygienic blue	C