

Chains & sprockets	Wear strips	Side guide brackets & accessories	Levelers	Engineering manual
Modular belts & sprockets	Chain & belt return systems	Frame & structure supports	Bearing supports	
Curves & tracks	Side guide solutions	Miscellaneous products	Equipment	

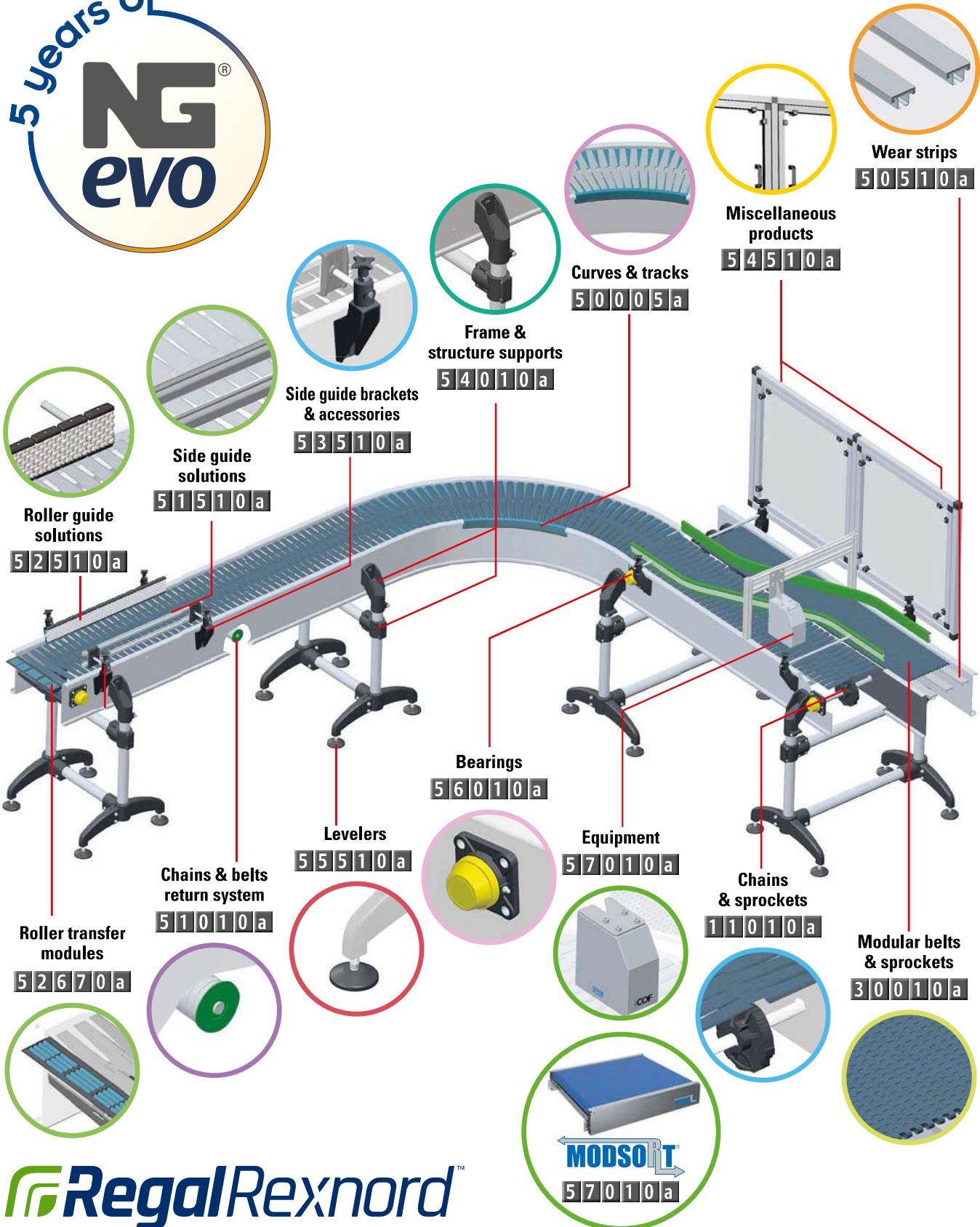
SYSTEM PLAST®

Smart Guide

1 0 1 1 0 a

GENERAL INDEX

www.SystemPlastSmartGuide.com



RegalRexnord™

Chains & sprockets	Wear strips	Side guide brackets & accessories	Levelers	Engineering manual
Modular belts & sprockets	Chain & belt return systems	Frame & structure supports	Bearing supports	
Curves & tracks	Side guide solutions	Miscellaneous products	Equipment	

INTRODUCTION

Smart Guide visual index..... **10110a**
 Smart Guide catalog index..... **10110b**
 How Smart Guide works..... **10110c**
 Smart Guide icon legend..... **10110d**

CHAINS & SPROCKETS

Index metal chains & sprockets..... **11010a**
 Index straight thermoplastic chains & sprockets..... **11011a**
 Index sideflexing thermoplastic chains & sprockets..... **11012a**
 Index other types sideflexing chains & sprockets..... **11013a**

MODULAR BELTS & SPROCKETS

Index straight modular belts & sprockets..... **30010a**
 Index sideflexing modular belts & sprockets..... **30012a**
 Index ½" pitch (12,7mm) -Thickness: 8,7mm..... **30020a**
 Index ¾" pitch (19mm) -Thickness: 8,7mm..... **30190a**
 Index 1" pitch (25,4mm) -Thickness: 8,7mm..... **30300a**
 Index 1" pitch (25,4mm) -Thickness: 12,7mm..... **30410a**
 Index 1" pitch (25,4mm)..... **30700a**
 Index sideflexing modular belts 2256..... **30728a**

CURVES & TRACKS

Introduction to curves..... **50005a**
 Index magnetic curves..... **50010a**

WEAR STRIPS

Index wear strips..... **50510a**

CHAIN & BELT RETURN SYSTEMS

Index chain & belt return systems..... **51010a**

SIDE GUIDE SOLUTIONS

Index side guides & clamps..... **51510a**
 Index roller side guides & roller transfer plates..... **52510a**

SIDE GUIDE BRACKETS & ACCESSORIES

Index side guides brackets..... **53510a**

FRAME & STRUCTURE SUPPORTS

Index frame & structure supports..... **54010a**

MISCELLANEOUS PRODUCTS

Index miscellaneous products..... **54510a**

LEVELERS

Index levelers & tube ends..... **55510a**

BEARINGS

Index mounted bearings..... **56010a**

EQUIPMENT

Index equipment..... **57010a**

RELATED INFORMATION 

Index related information..... **72010a**

ITEM DESCRIPTION INDEX

Item description index..... **78000a**

STANDARD TERMS AND CONDITIONS OF SALE

Standard terms and conditions of sale..... **79900a**

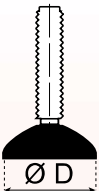










Chains & sprockets	Wear strips	Side guide brackets & accessories	Levelers	Engineering manual
Modular belts & sprockets	Chain & belt return systems	Frame & structure supports	Bearing supports	
Curves & tracks	Side guide solutions	Miscellaneous products	Equipment	

5 5 5 1 0 a

INDEX LEVELERS & TUBE ENDS

www.SystemPlastSmartGuide.com

	 <p>Articulated foot</p>	 <p>Fixed foot</p>	 <p>Sanistar by System Plast®</p>	 <p>Metal foot</p>	 <p>Single Lag hole pad</p> <p>5 5 6 3 0 a</p>
	 <p>Welded endplates</p> <p>5 5 7 6 5 c</p>	 <p>Bases Ø 80-100-150-200</p> <p>5 5 7 3 5 a</p>	 <p>Threaded tube ends</p> <p>5 5 7 6 5 a</p>		
30	-	5 5 7 5 0 a	-	-	
40	5 5 5 2 5 a	5 5 7 5 0 a	-	-	
50	5 5 5 4 0 a	5 5 7 5 0 a	5 5 6 7 5 a	-	
60	5 5 5 5 5 a	-	-	-	
75 - 80	5 5 5 7 0 a 5 5 6 1 5 a 5 5 7 8 0 a Ⓜ	-	5 5 6 7 5 a 5 5 6 9 0 a	5 5 7 2 0 a 5 5 7 0 5 a	
100 ↓ 125	5 5 5 8 5 a 5 5 6 0 0 a 5 5 6 1 5 a 5 5 6 4 5 a 5 5 7 9 5 a Ⓜ 5 5 8 1 0 a Ⓜ 5 5 8 2 5 a Ⓜ	5 5 6 6 0 a 5 5 8 4 0 a Ⓜ	5 5 6 7 5 a 5 5 6 9 0 a	5 5 7 0 5 a 5 5 7 2 0 a 5 5 7 3 5 a	

General tolerance on total height L ± 2 mm



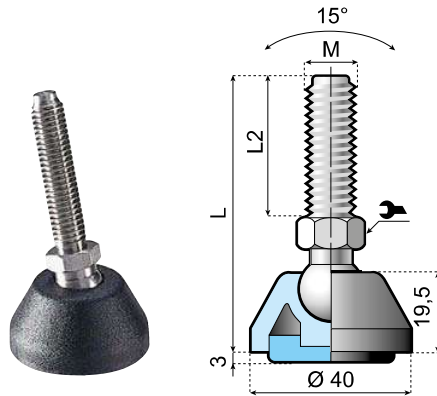
Information about this product is only available on our Smart Guide® website.

Chains & sprockets	Wear strips	Side guide brackets & accessories	Levelers	Engineering manual
Modular belts & sprockets	Chain & belt return systems	Frame & structure supports	Bearing supports	
Curves & tracks	Side guide solutions	Miscellaneous products	Equipment	

55525a

ARTICULATED FOOT Ø40 mm

www.SystemPlastSmartGuide.com

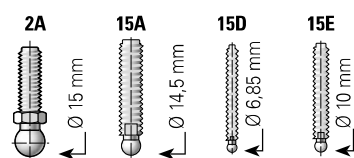


STANDARD CHOICE

SPINDLE MATERIAL	M	L mm	L2 mm	ITEM DESCRIPTION		SPINDLE TYPE		
				STANDARD	ANTI-SLIP WITH RUBBER			
Zinc Plated Steel	M8	71	43	LA40H-PM8L70	LA40H-PM8L70R	2A	14	12.000
				LA40H-PM10L70	LA40H-PM10L70R			
	M10	99	71	LA40H-PM10L100	LA40H-PM10L100R			
				LA40H-PM12L155	LA40H-PM12L155R			
	M14	153	125	LA40H-PM14L155	LA40H-PM14L155R			
M16	149	119	LA40-PM16L150	LA40-PM16L150R	15A	13	12.000	
Stainless Steel AISI 304	M8	71	43	LA40H-SM8L70	LA40H-SM8L70R	2A	14	12.000
				LA40H-SM10L70	LA40H-SM10L70R			
	M10	99	71	LA40H-SM10L100	LA40H-SM10L100R			
				LA40H-SM12L100	LA40H-SM12L100R			
	M12	153	125	LA40H-SM12L155	LA40H-SM12L155R			
M16	149	119	LA40-SM16L150	LA40-SM16L150R	15A	13	12.000	

Base: Reinforced polyamide.

SPINDLE TYPE



ANTI-SLIP PAD

Item description:

RPAD3206

Anti-slip pad: oil resistant rubber, 55 shore hardness.

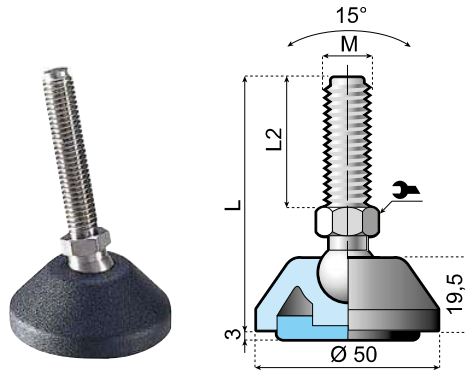


Chains & sprockets	Wear strips	Side guide brackets & accessories	Levelers	Engineering manual
Modular belts & sprockets	Chain & belt return systems	Frame & structure supports	Bearing supports	
Curves & tracks	Side guide solutions	Miscellaneous products	Equipment	

55540a

ARTICULATED FOOT Ø50 mm

www.SystemPlastSmartGuide.com

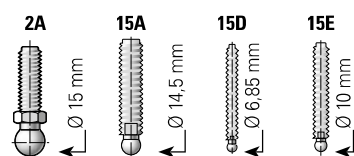


STANDARD CHOICE

SPINDLE MATERIAL	M	L mm	L2 mm	ITEM DESCRIPTION		SPINDLE TYPE		
				STANDARD	ANTI-SLIP WITH RUBBER			
Zinc Plated Steel	M8	71	43	LA50H-PM8L70	LA50H-PM8L70R	2A	14	12.000
				LA50H-PM10L70	LA50H-PM10L70R			
	M10	99	71	LA50H-PM10L100	LA50H-PM10L100R			
				LA50H-PM12L155	LA50H-PM12L155R			
	M14	153	125	LA50H-PM14L155	LA50H-PM14L155R			
				LA50-PM16L100	LA50-PM16L100R			
M16	149	119	LA50-PM16L150	LA50-PM16L150R				
			189	159	LA50-PM16L190	LA50-PM16L190R		
Stainless Steel AISI 304	M8	71	43	LA50H-SM8L70	LA50H-SM8L70R	2A	14	12.000
				LA50H-SM10L70	LA50H-SM10L70R			
	M10	99	71	LA50H-SM10L100	LA50H-SM10L100R			
				LA50H-SM12L100	LA50H-SM12L100R			
	M12	153	125	LA50H-SM12L155	LA50H-SM12L155R			
				LA50-SM16L100	LA50-SM16L100R			
M16	149	119	LA50-SM16L150	LA50-SM16L150R				
			189	159	LA50-SM16L190	LA50-SM16L190R		

Base: Reinforced polyamide.

SPINDLE TYPE



ANTI-SLIP PAD

Item description:

RPAD4206

Anti-slip pad: oil resistant rubber, 55 shore hardness.

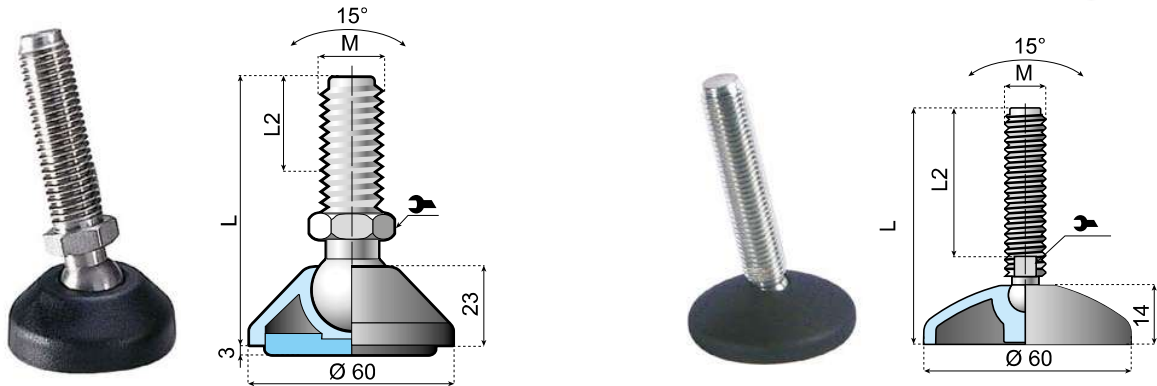


Chains & sprockets	Wear strips	Side guide brackets & accessories	Levelers	Engineering manual
Modular belts & sprockets	Chain & belt return systems	Frame & structure supports	Bearing supports	
Curves & tracks	Side guide solutions	Miscellaneous products	Equipment	

55555a

ARTICULATED FOOT Ø60 mm

www.SystemPlastSmartGuide.com



STANDARD CHOICE

ECONOMICAL CHOICE

SPINDLE MATERIAL	M	L mm	L2 mm	ITEM DESCRIPTION ASSEMBLED		SPINDLE TYPE	🔧	📦	NUT MATERIAL
				STANDARD	ANTI-SLIP WITH RUBBER				
Zinc Plated Steel	M16	94	60	LA60H-PM16L95	LA60H-PM16L95R	2B	20	15.000	●
		149	115	LA60H-PM16L150	LA60H-PM16L150R				
		179	145	LA60H-PM16L180	LA60H-PM16L180R				
		229	195	LA60H-PM16L230	LA60H-PM16L230R				
	M20	179	145	LA60H-PM20L180	LA60H-PM20L180R				
	M24	236	195	LA60H-PM24L235	LA60H-PM24L235R				
Stainless Steel AISI 304	M16	94	60	LA60H-SM16L95-SN	LA60H-SM16L95R-SN	2B	19	15.000	●
		94	60	LA60H-SM16L95	LA60H-SM16L95R				
		149	115	LA60H-SM16L150	LA60H-SM16L150R				
		179	145	LA60H-SM16L180	LA60H-SM16L180R				
	229	195	LA60H-SM16L230	LA60H-SM16L230R					
	M20	179	145	LA60H-SM20L180	LA60H-SM20L180R				
M24	236	195	LA60H-SM24L235	LA60H-SM24L235R	2C	24		●	
PA,FE	M16	104	62	LA60H-NM16L105-PN	LA60H-NM16L105R-PN	3C	24	4.000	FE,ZN
		104	62	LA60H-NM16L105-SN	LA60H-NM16L105R-SN				INOX

SPINDLE MATERIAL	M	L mm	L2 mm	ITEM DESCRIPTION	SPINDLE TYPE	🔧	📦
M16	135	110	LA60E-PM12L135				
	155	130	LA60E-PM12L155				
	M20	95	70	LA60E-PM16L95	15A	13	12.000
145		120	LA60E-PM16L145				
185		160	LA60E-PM16L185				
Stainless Steel AISI 304	M12	95	70	LA60E-SM12L95	15E	9	9.000
		115	90	LA60E-SM12L115			
		135	110	LA60E-SM12L135			
	M16	95	70	LA60E-SM16L95	15A	13	12.000
		145	120	LA60E-SM16L145			
		185	160	LA60E-SM16L185			
M20	185	155	LA60E-SM20L185	16	12.000		

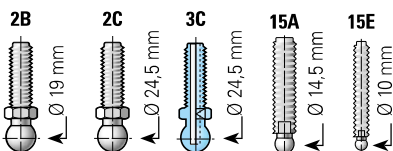
Base: Reinforced polyamide.

● Without Nut

Base: Reinforced polyamide.

PA,FE Polyamide with Steel Insert

SPINDLE TYPE



ANTI-SLIP PAD

Item description:

RPAD5306

Anti-slip pad: oil resistant rubber, 55 shore hardness.



Chains & sprockets	Wear strips	Side guide brackets & accessories	Levelers	Engineering manual
Modular belts & sprockets	Chain & belt return systems	Frame & structure supports	Bearing supports	
Curves & tracks	Side guide solutions	Miscellaneous products	Equipment	

55570a

ARTICULATED FOOT Ø80 mm

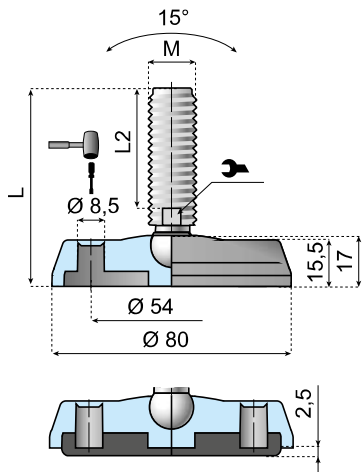
www.SystemPlastSmartGuide.com



SPINDLE MATERIAL	M	L mm	L2 mm	ITEM DESCRIPTION		SPINDLE TYPE	Wrench icon	Nut icon	NUT MATERIAL
				STANDARD	ANTI-SLIP WITH RUBBER				
				Zinc Plated Steel	M10				
		150	125	LA80H-02B-PM10L150-PN	LA80H-02B-PM10L150R-PN	2A	14		FE,ZN
		115	90	LA80-02B-PM12L115	-	15E	9		●
		135	110	LA80-02B-PM12L135	-			13.000	●
	M12	150	125	LA80H-02B-PM12L150-PN	LA80H-02B-PM12L150R-PN	2A	14		FE,ZN
		155	130	LA80-02B-PM12L155	-		9		●
	M14	105	80	LA80-02B-PM14L105	-	15E	11	14.000	●
		155	130	LA80-02B-PM14L155	-				●
		95	70	LA80-02B-PM16L95	-				●
		95	70	LA80-02B-PM16L95-PN	LA80-02B-PM16L95R-PN				FE,ZN
		145	120	LA80-02B-PM16L145	-				●
	M16	145	120	LA80-02B-PM16L145-PN	LA80-02B-PM16L145R-PN	15A	13	15.000	FE,ZN
		185	160	LA80-02B-PM16L185	-				●
		185	160	LA80-02B-PM16L185-PN	LA80-02B-PM16L185R-PN				FE,ZN
		205	180	LA80-02B-PM16L205	-				●
	M20	185	160	LA80-02B-PM20L185	LA80-02B-PM20L185R		16	18.000	●
Stainless Steel AISI 304	M10	95	70	LA80-02B-SM10L95	-	15D	7	10.000	●
		95	70	LA80-02B-SM12L95	-	15E	9		●
		95	70	LA80H-02B-SM12L95-SN	LA80H-02B-SM12L95R-SN	2A	14		INOX
	M12	115	90	LA80-02B-SM12L115	-	15E	9	13.000	●
		135	110	LA80-02B-SM12L135	-				●
		150	125	LA80H-02B-SM12L150-SN	LA80H-02B-SM12L150R-SN	2A	14		INOX
		155	130	LA80-02B-SM12L155	-	15E	9		●
		95	70	LA80-02B-SM16L95	-				●
		95	70	LA80-02B-SM16L95-SN	LA80-02B-SM16L95R-SN				INOX
		145	120	LA80-02B-SM16L145	-				●
	M16	145	120	LA80-02B-SM16L145-SN	LA80-02B-SM16L145R-SN	15A	13	15.000	INOX
		185	160	LA80-02B-SM16L185	-				●
		185	160	LA80-02B-SM16L185-SN	LA80-02B-SM16L185R-SN				INOX
		205	180	LA80-02B-SM16L205	-				●

Base: Reinforced polyamide.

● Without Nut

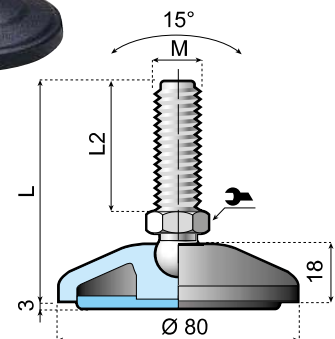


Characteristics:

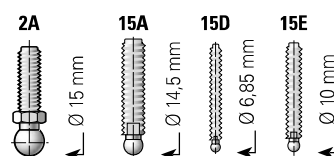
The foot can be fixed to the floor by opening the signs marked on the base.

SPINDLE MATERIAL	M	L mm	L2 mm	ITEM DESCRIPTION		SPINDLE TYPE	Wrench icon	Nut icon
				STANDARD	ANTI-SLIP WITH RUBBER			
				Zinc Plated Steel	M10			
	M12	150	125	LA80H-PM12L150	LA80H-PM12L150R			
	M14	150	125	LA80H-PM14L150	LA80H-PM14L150R			
	M16	95	70	LA80-PM16L95	LA80-PM16L95R	15A	13	
		145	120	LA80-PM16L145	LA80-PM16L145R			
Stainless Steel AISI 304	M10	100	70	LA80H-SM10L100	LA80H-SM10L100R	2A	14	15.000
	M12	95	70	LA80H-SM12L95	LA80H-SM12L95R			
		150	125	LA80H-SM12L150	LA80H-SM12L150R			
	M16	95	70	LA80-SM16L95	LA80-SM16L95R	15A	13	
		145	120	LA80-SM16L145	LA80-SM16L145R			

Base: Reinforced polyamide.



SPINDLE TYPE



Information about this product is only available on our Smart Guide® website.



Also available with solid base.

Go to:

55780a

ANTI-SLIP PAD

Item description:

RPAD7207

Anti-slip pad: oil resistant rubber, 55 shore hardness.



Chains & sprockets	Wear strips	Side guide brackets & accessories	Levelers	Engineering manual
Modular belts & sprockets	Chain & belt return systems	Frame & structure supports	Bearing supports	
Curves & tracks	Side guide solutions	Miscellaneous products	Equipment	

55585a

ARTICULATED FOOT Ø100 mm WITH HOLES

www.SystemPlastSmartGuide.com

Characteristics:

The foot can be fixed to the floor by opening the signs marked on the base.

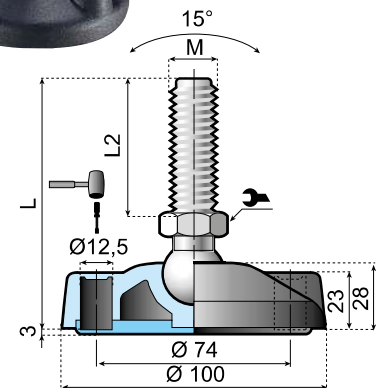


STANDARD CHOICE

SPINDLE MATERIAL	M	L mm	L2 mm	ITEM DESCRIPTION		SPINDLE TYPE	🔧	📦	
				STANDARD	ANTI-SLIP WITH RUBBER				
Zinc Plated Steel	M16	99	60	LA100H-02B-PM16L100	LA100H-02B-PM16L100R	2B	20	18.000	
		154	115	LA100H-02B-PM16L155	LA100H-02B-PM16L155R				
		184	145	LA100H-02B-PM16L185	LA100H-02B-PM16L185R				
		234	195	LA100H-02B-PM16L235	LA100H-02B-PM16L235R				
	M20	124	85	LA100H-02B-PM20L125	LA100H-02B-PM20L125R				
		154	115	LA100H-02B-PM20L155	LA100H-02B-PM20L155R				
		184	145	LA100H-02B-PM20L185	LA100H-02B-PM20L185R				
		234	195	LA100H-02B-PM20L235	LA100H-02B-PM20L235R				
		M24	190	145	LA100H-02B-PM24L190				LA100H-02B-PM24L190R
Stainless Steel AISI 304	M16	99	60	LA100H-02B-SM16L100	LA100H-02B-SM16L100R	2B	19	18.000	
		154	115	LA100H-02B-SM16L155	LA100H-02B-SM16L155R				
		184	145	LA100H-02B-SM16L185	LA100H-02B-SM16L185R				
		234	195	LA100H-02B-SM16L235	LA100H-02B-SM16L235R				
	M20	124	85	LA100H-02B-SM20L125	LA100H-02B-SM20L125R				
		154	115	LA100H-02B-SM20L155	LA100H-02B-SM20L155R				
		184	145	LA100H-02B-SM20L185	LA100H-02B-SM20L185R				
		M24	160	115	LA100H-02B-SM24L160				LA100H-02B-SM24L160R
		PA,FE	M16	109	62				LA100H-02B-NM16L110

Base: Reinforced polyamide.

PA,FE Polyamide with Steel Insert



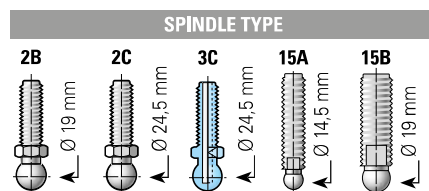
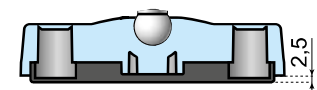
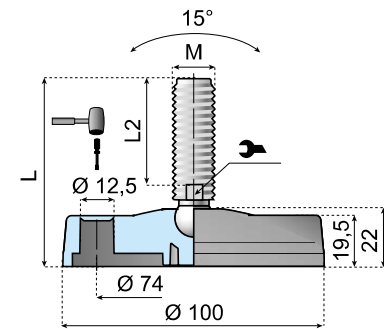
Characteristics:

The foot can be fixed to the floor by opening the signs marked on the base.

ECONOMICAL CHOICE

SPINDLE MATERIAL	M	L mm	L2 mm	ITEM DESCRIPTION	SPINDLE TYPE	🔧	📦
Zinc Plated Steel	M16	100	70	LA100E-02B-PM16L100	15A	13	12.000
		150	120	LA100E-02B-PM16L150			
		190	160	LA100E-02B-PM16L190			
		210	180	LA100E-02B-PM16L210			
	M20	145	115	LA100E-02B-PM20L145			
		190	160	LA100E-02B-PM20L190			
Stainless Steel AISI 304	M16	100	70	LA100E-02B-SM16L100	15A	13	12.000
		150	120	LA100E-02B-SM16L150			
		190	160	LA100E-02B-SM16L190			
		210	180	LA100E-02B-SM16L210			
	M20	145	115	LA100E-02B-SM20L145			
		190	160	LA100E-02B-SM20L190			
		220	190	LA100E-02B-SM20L220			
		220	190	LA100E-02B-SM20L220			

Base: Reinforced polyamide.



ANTI-SLIP PAD

Item description:

RPAD9308

Anti-slip pad: oil resistant rubber, 55 shore hardness.

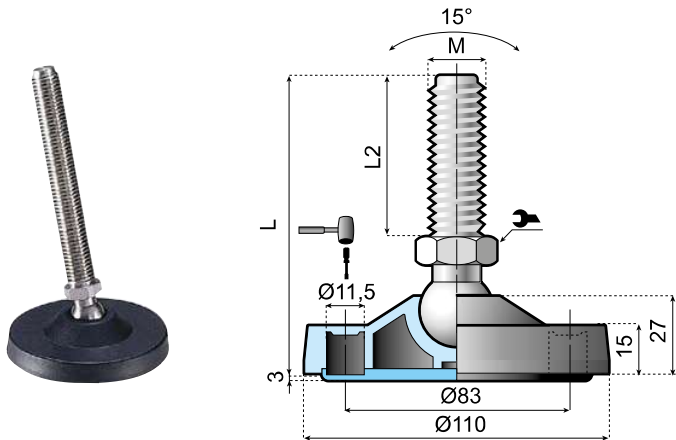


Chains & sprockets	Wear strips	Side guide brackets & accessories	Levelers	Engineering manual
Modular belts & sprockets	Chain & belt return systems	Frame & structure supports	Bearing supports	
Curves & tracks	Side guide solutions	Miscellaneous products	Equipment	

55600a

ARTICULATED FOOT Ø110 mm WITH HOLES

www.SystemPlastSmartGuide.com



Characteristics:

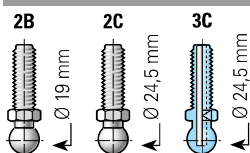
The foot can be fixed to the floor by opening the signs marked on the base.

SPINDLE MATERIAL	M	L mm	L2 mm	ITEM DESCRIPTION		SPINDLE TYPE			NUT MATERIAL				
				STANDARD	ANTI-SLIP WITH RUBBER								
Zinc Plated Steel	M16	153	115	LA110H-02B-PM16L155	LA110H-02B-PM16L155R	2B	20	15.000	FE.ZN				
		183	145	LA110H-02B-PM16L185	LA110H-02B-PM16L185R								
		233	195	LA110H-02B-PM16L235	LA110H-02B-PM16L235R								
	M20	153	115	LA110H-02B-PM20L155	LA110H-02B-PM20L155R								
		183	145	LA110H-02B-PM20L185	LA110H-02B-PM20L185R								
		233	195	LA110H-02B-PM20L235	LA110H-02B-PM20L235R								
M24	190	145	LA110H-02B-PM24L190	LA110H-02B-PM24L190R	2C	24	18.000	●					
	240	195	LA110H-02B-PM24L240	LA110H-02B-PM24L240R									
Stainless Steel AISI 304	M16	153	115	LA110H-02B-SM16L155	LA110H-02B-SM16L155R	2B	19	15.000	INOX				
		183	145	LA110H-02B-SM16L185	LA110H-02B-SM16L185R								
		233	195	LA110H-02B-SM16L235	LA110H-02B-SM16L235R								
	M20	153	115	LA110H-02B-SM20L155	LA110H-02B-SM20L155R								
		183	145	LA110H-02B-SM20L185	LA110H-02B-SM20L185R								
		190	145	LA110H-02B-SM24L190	LA110H-02B-SM24L190R								
	M24	190	145	LA110H-02B-SM24L190	LA110H-02B-SM24L190R					2C	24	18.000	●
		240	195	LA110H-02B-SM24L240	LA110H-02B-SM24L240R								

Base: Reinforced polyamide.

● Without Nut

SPINDLE TYPE



ANTI-SLIP PAD

Item description:

RPAD10108

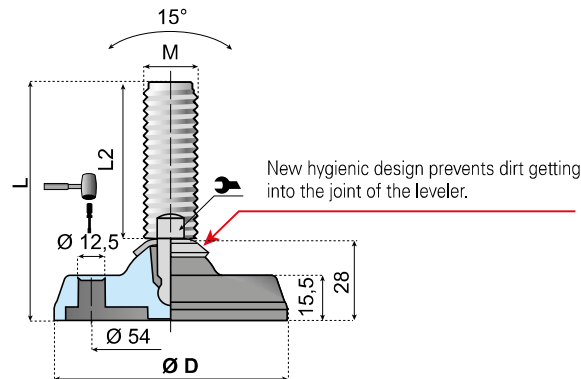
Anti-slip pad: oil resistant rubber, 55 shore hardness.



Chains & sprockets	Wear strips	Side guide brackets & accessories	Levelers	Engineering manual
Modular belts & sprockets	Chain & belt return systems	Frame & structure supports	Bearing supports	
Curves & tracks	Side guide solutions	Miscellaneous products	Equipment	

5 5 6 1 5 a ARTICULATED FOOT Ø80 / 100 / 120 mm WITH HOLES

www.SystemPlastSmartGuide.com



Characteristics:

The foot can be fixed to the floor by opening the signs marked on the base.

Ø D.80

SPINDLE MATERIAL	M	L mm	L2 mm	ITEM DESCRIPTION	SPINDLE TYPE		
Stainless Steel AISI 304	M12	98	70	LAS80-02B-SM12L100	18	9	13.000
		128	100	LAS80-02B-SM12L130			
	M16	98	70	LAS80-02B-SM16L100			
		168	140	LAS80-02B-SM16L170			
M20	168	140	LAS80-02B-SM20L170				

Ø D.100

SPINDLE MATERIAL	M	L mm	L2 mm	ITEM DESCRIPTION	SPINDLE TYPE		
Stainless Steel AISI 304	M16	103	70	LAS100-02B-SM16L105	18	13	15.000
		173	140	LAS100-02B-SM16L175			
	M20	173	140	LAS100-02B-SM20L175			

Ø D.120

SPINDLE MATERIAL	M	L mm	L2 mm	ITEM DESCRIPTION	SPINDLE TYPE		
Stainless Steel AISI 304	M16	103	70	LAS120-02B-SM16L105	18	13	18.000
		173	140	LAS120-02B-SM16L175			
	M20	173	140	LAS120-02B-SM20L175			

Base: Reinforced polyamide.

SPINDLE TYPE



ANTI-SLIP PAD



Item description:

RPAD7207	for foot Ø D.80
RPAD9308	for foot Ø D.100
RPAD11207	for foot Ø D.120

Anti-slip pad: oil resistant rubber, 55 shore hardness.

Chains & sprockets	Wear strips	Side guide brackets & accessories	Levelers	Engineering manual
Modular belts & sprockets	Chain & belt return systems	Frame & structure supports	Bearing supports	
Curves & tracks	Side guide solutions	Miscellaneous products	Equipment	

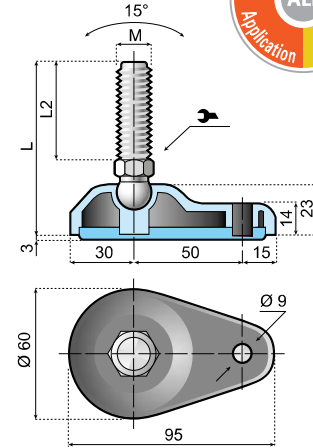
55630a

ARTICULATED FOOT - SINGLE LAG HOLE PAD

www.SystemPlastSmartGuide.com



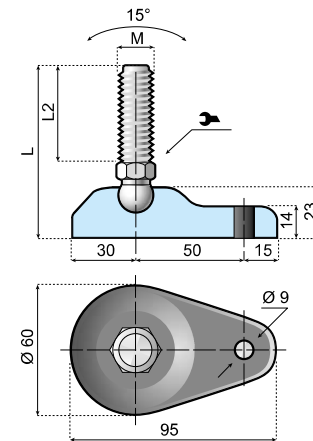
SPINDLE MATERIAL	M	L mm	L2 mm	ITEM DESCRIPTION		SPINDLE TYPE	NUT	NUT MATERIAL
				STANDARD	ANTI-SLIP WITH RUBBER			
Zinc Plated Steel	M10	103	71	LA60H-01-PM10L105	-	2A	14	15.000
		157	125	LA60H-01-PM10L155	-			
	M12	157	125	LA60H-01-PM12L155	LA60H-01-PM12L155R	15A	13	
	M14	157	125	LA60H-01-PM14L155	-			
	M16	103	69	LA60-01-PM16L105	LA60-01-PM16L105R			
153		119	LA60-01-PM16L155	-				
SS AISI 304	M16	193	159	LA60-01-PM16L195	-	15A	13	INOX
		103	69	LA60-01-SM16L105	LA60-01-SM16L105R			
	153	119	LA60-01-SM16L155	LA60-01-SM16L155R				
	193	159	LA60-01-SM16L195	-				



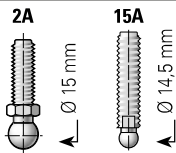
Solid base series:

The solid base will help equipment builders meet the requirements of the USDA and other government agencies, related to the prevention of contamination of food products and the growth of bacteria.

SPINDLE MATERIAL	M	L mm	L2 mm	ITEM DESCRIPTION	SPINDLE TYPE	NUT	NUT MATERIAL
Zinc Plated Steel	M16	103	69	LA60S-01-PM16L105	15A	13	22.000
		153	119	LA60S-01-PM16L155			
		193	159	LA60S-01-PM16L195			
SS AISI 304	M16	103	69	LA60S-01-SM16L105	15A	13	22.000
		193	159	LA60S-01-SM16L195			



SPINDLE TYPE



ANTI-SLIP PAD

Item description:

RPADS207

Anti-slip pad: oil resistant rubber, 55 shore hardness.



FIXED FOOT - SINGLE LAG HOLE PAD

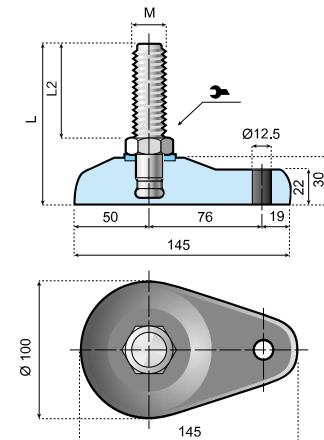
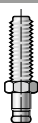
Solid base series

The solid base will help equipment builders meet the requirements of the USDA and other government agencies, related to the prevention of contamination of food products and the growth of bacteria.

SPINDLE MATERIAL	M	L mm	L2 mm	ITEM DESCRIPTION	SPINDLE TYPE	NUT	NUT MATERIAL
Zinc Plated Steel	M20	188	147	LAF100SH-01-PM20L190	13	22	55.000
	M24	188	147	-			
		238	197	LAF100SH-01-PM24L240			
SS	M20	188	147	LAF100SH-01-SM20L190	13	22	55.000

SS Stainless Steel AISI 304

SPINDLE TYPE



Chains & sprockets	Wear strips	Side guide brackets & accessories	Levelers	Engineering manual
Modular belts & sprockets	Chain & belt return systems	Frame & structure supports	Bearing supports	
Curves & tracks	Side guide solutions	Miscellaneous products	Equipment	

55645a

ARTICULATED FOOT Ø120 / 123 MM WITH HOLES

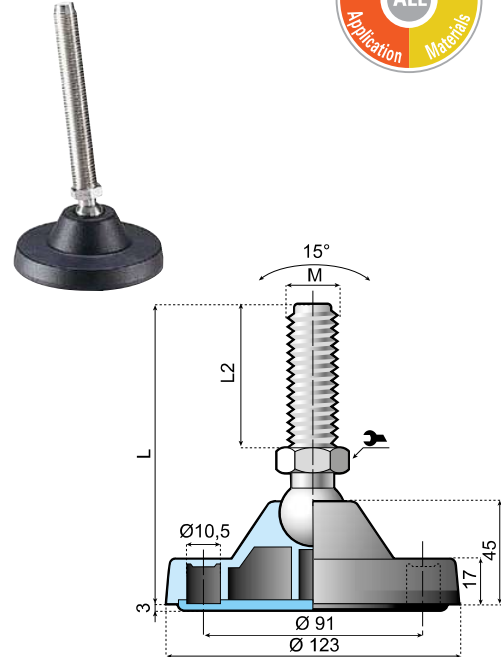
www.SystemPlastSmartGuide.com

Characteristics:

The foot can be fixed to the floor by opening the signs marked on the base.

Ø D.123 STANDARD CHOICE

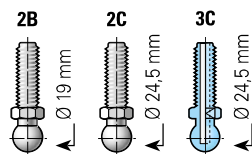
SPINDLE MATERIAL	M	L mm	L2 mm	ITEM DESCRIPTION ASSEMBLED		SPINDLE TYPE	🔧	📦
				STANDARD	ANTI-SLIP WITH RUBBER			
Zinc Plated Steel	M16	171	115	LA123H-02B-PM16L170	LA123H-02B-PM16L170R	2B	20	25.000
		251	195	LA123H-02B-PM16L250	LA123H-02B-PM16L250R			
	M20	141	85	LA123H-02B-PM20L140	LA123H-02B-PM20L140R			
		171	115	LA123H-02B-PM20L170	LA123H-02B-PM20L170R			
		201	145	LA123H-02B-PM20L200	LA123H-02B-PM20L200R			
		251	195	LA123H-02B-PM20L250	LA123H-02B-PM20L250R			
M24	176	115	LA123H-02B-PM24L175	LA123H-02B-PM24L175R	2C	24		
	206	145	LA123H-02B-PM24L205	LA123H-02B-PM24L205R				
Stainless Steel AISI 304	M16	171	115	LA123H-02B-SM16L170	LA123H-02B-SM16L170R	2B	19	25.000
		201	145	LA123H-02B-SM16L200	LA123H-02B-SM16L200R			
	251	195	LA123H-02B-SM16L250	LA123H-02B-SM16L250R				
	M20	141	85	LA123H-02B-SM20L140	LA123H-02B-SM20L140R			
		171	115	LA123H-02B-SM20L170	LA123H-02B-SM20L170R			
		201	145	LA123H-02B-SM20L200	LA123H-02B-SM20L200R			
		251	195	LA123H-02B-SM20L250	LA123H-02B-SM20L250R			
	M24	146	85	LA123H-02B-SM24L145	LA123H-02B-SM24L145R	2C	24	
		176	115	LA123H-02B-SM24L175	LA123H-02B-SM24L175R			
		206	145	LA123H-02B-SM24L205	LA123H-02B-SM24L205R			
256		195	LA123H-02B-SM24L255	LA123H-02B-SM24L255R				



Base: Reinforced polyamide.

PA.FE Polyamide with Steel Insert

SPINDLE TYPE



ANTI-SLIP PAD

Item description:

RPAD12208

Anti-slip pad: oil resistant rubber, 55 shore hardness.



Characteristics:

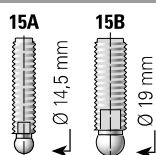
The foot can be fixed to the floor by opening the signs marked on the base.

Ø D.120 ECONOMICAL CHOICE

SPINDLE MATERIAL	M	L mm	L2 mm	ITEM DESCRIPTION ASSEMBLED	SPINDLE TYPE	🔧	📦
Zinc Plated Steel	M16	100	70	LA120E-02B-PM16L100	15A	13	18.000
		150	120	LA120E-02B-PM16L150			
	M20	145	115	LA120E-02B-PM20L145			
		190	160	LA120E-02B-PM20L190			
Stainless Steel AISI 304	M16	220	190	LA120E-02B-PM20L220	15A	16	20.000
		100	70	LA120E-02B-SM16L100			
		150	120	LA120E-02B-SM16L150			
	M20	190	160	LA120E-02B-SM16L190			
		210	180	LA120E-02B-SM16L210			
		145	115	LA120E-02B-SM20L145			
M20	190	160	LA120E-02B-SM20L190	16	20.000		
	220	190	LA120E-02B-SM20L220				

Base: Reinforced polyamide.

SPINDLE TYPE

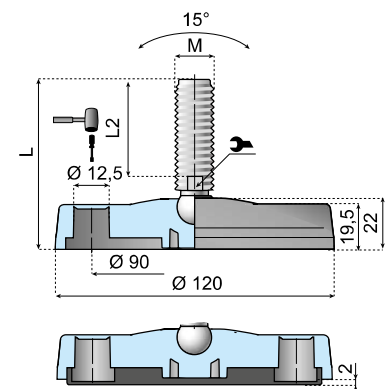


ANTI-SLIP PAD

Item description:

RPAD11207

Anti-slip pad: oil resistant rubber, 55 shore hardness.



Chains & sprockets	Wear strips	Side guide brackets & accessories	Levelers	Engineering manual
Modular belts & sprockets	Chain & belt return systems	Frame & structure supports	Bearing supports	
Curves & tracks	Side guide solutions	Miscellaneous products	Equipment	

55660a

FIXED FOOT Ø123 mm WITH HOLES

www.SystemPlastSmartGuide.com

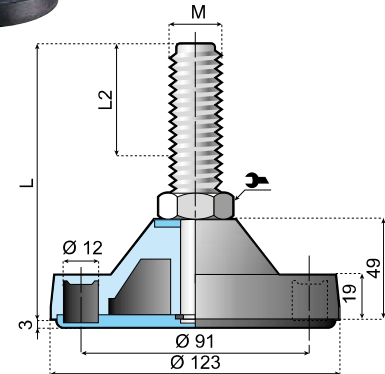


Characteristics:

The foot can be fixed to the floor by opening the signs marked on the base.

SPINDLE MATERIAL	M	L mm	L2 mm	ITEM DESCRIPTION ASSEMBLED		SPINDLE TYPE		
				STANDARD	ANTI-SLIP WITH RUBBER			
Zinc Plated Steel	M16	156	98	LAF123H-02B-PM16L155	LAF123H-02B-PM16L155R	6B	22	30.000
		206	148	LAF123H-02B-PM16L205	LAF123H-02B-PM16L205R			
	M20	156	98	LAF123H-02B-PM20L155	LAF123H-02B-PM20L155R			
		212	154	LAF123H-02B-PM20L210	LAF123H-02B-PM20L210R			
		256	198	LAF123H-02B-PM20L255	LAF123H-02B-PM20L255R			
M30	256	198	LAF123H-02B-PM30L255	LAF123H-02B-PM30L255R				
Stainless Steel AISI 304	M20	156	98	LAF123H-02B-SM20L155	LAF123H-02B-SM20L155R	6B	22	30.000
		206	148	LAF123H-02B-SM20L205	LAF123H-02B-SM20L205R			
		256	198	LAF123H-02B-SM20L255	LAF123H-02B-SM20L255R			
	M24	206	148	LAF123H-02B-SM24L206	LAF123H-02B-SM24L206R			

Base: Reinforced polyamide.

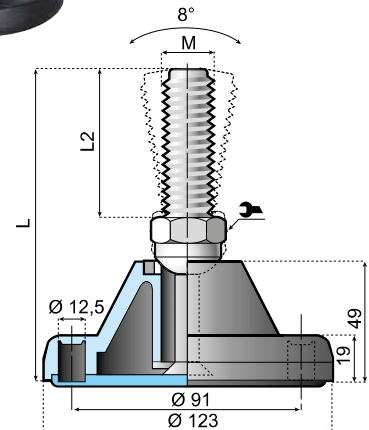


Characteristics:

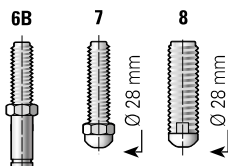
The foot can be fixed to the floor by opening the signs marked on the base.

SPINDLE MATERIAL	M	L mm	L2 mm	ITEM DESCRIPTION ASSEMBLED		SPINDLE TYPE		
				STANDARD	ANTI-SLIP WITH RUBBER			
Zinc Plated Steel	M20	203	135	LAX123H-02B-PM20L205	LAX123H-02B-PM20L205R	7	24	30.000
	M30	193	125	LAX123-02B-PM30L195	LAX123-02B-PM30L195R	8	24	
		253	185	LAX123-02B-PM30L255	LAX123-02B-PM30L255R			
Stainless Steel AISI 304	M20	203	135	LAX123H-02B-SM20L205	LAX123H-02B-SM20L205R	7	24	30.000
	M24	253	185	LAX123-02B-SM24L255	LAX123-02B-SM24L255R	8	19	
		193	125	LAX123-02B-SM30L195	LAX123-02B-SM30L195R			
		253	185	LAX123-02B-SM30L255	LAX123-02B-SM30L255R			

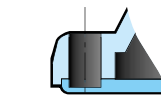
Base: Reinforced polyamide.



SPINDLE TYPE



Information about this product is only available on our Smart Guide® website.



These levelers can also be supplied with open holes.
Go to:

55840a

ANTI-SLIP PAD

Item description:
RPAD12208

Anti-slip pad: oil resistant rubber, 55 shore hardness.



Chains & sprockets	Wear strips	Side guide brackets & accessories	Levelers	Engineering manual
Modular belts & sprockets	Chain & belt return systems	Frame & structure supports	Bearing supports	
Curves & tracks	Side guide solutions	Miscellaneous products	Equipment	

SYSTEM PLAST®



5 5 6 7 5 a

FIXED FOOT Ø50 / 75 / 100 / 125 mm

www.SystemPlastSmartGuide.com



Ø D.50

Ø D	H mm	N	M	Wrench	L mm	L2 mm	ITEM DESCRIPTION
50	21	3.000	M10	7	75	53	LSS50-SM10L75
					125	103	LSS50-SM10L125
			M12	9	95	78	LSS50-SM12L95
					155	138	LSS50-SM12L155
			M16	13	100	78	LSS50-SM16L100
					140	118	LSS50-SM16L150
				210	188	LSS50-SM16L210	

Ø D.75

75	23	8.000	M10	7	75	53	LSS75-SM10L75
					125	103	LSS75-SM10L125
			M12	9	100	78	LSS75-SM12L100
					160	138	LSS75-SM12L160
			M14	11	160	138	LSS75-SM14L160
					100	78	LSS75-SM16L100
M16	13	140	118	LSS75-SM16L140			
		210	188	LSS75-SM16L210			

Ø D.100

100	30	20.000	M16	13	105	78	LSS100-SM16L105
					145	118	LSS100-SM16L145
			M20	16	215	188	LSS100-SM16L215
					155	123	LSS100-SM20L155
			M24	19	230	198	LSS100-SM20L230
					165	133	LSS100-SM24L165
				205	173	LSS100-SM24L205	

Ø D.125

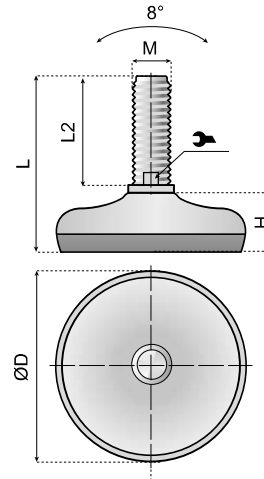
125	32	30.000	M16	13	110	78	LSS125-SM16L110
					150	118	LSS125-SM16L150
			M20	16	220	188	LSS125-SM16L220
					155	123	LSS125-SM20L155
			M24	19	230	198	LSS125-SM20L230
					165	133	LSS125-SM24L165
				205	173	LSS125-SM24L205	

Ø D.75

Ø D	I mm	H mm	N	M	Wrench	L mm	L2 mm	ITEM DESCRIPTION
75	52.5	23	8.000	M10	7	75	53	LSS75-01-SM10L75
						125	103	LSS75-01-SM10L125
				M12	9	100	78	LSS75-01-SM12L100
						160	138	LSS75-01-SM12L160
				M16	13	100	78	LSS75-01-SM16L100
						140	118	LSS75-01-SM16L140
				210	188	LSS75-01-SM16L210		

Ø D.100

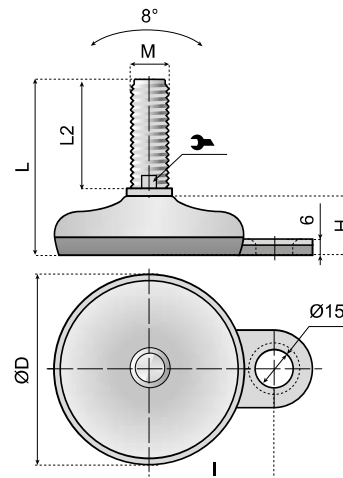
Ø D	I mm	H mm	N	M	Wrench	L mm	L2 mm	ITEM DESCRIPTION
100	65	30	20.000	M16	13	105	78	LSS100-01-SM16L105
						145	118	LSS100-01-SM16L145
				M20	16	215	188	LSS100-01-SM16L215
						155	123	LSS100-01-SM20L155
				M24	19	230	198	LSS100-01-SM20L230
						165	133	LSS100-01-SM24L165
				205	173	LSS100-01-SM24L205		



Material, spindle and washer: Stainless Steel AISI 304

Base: Stainless Steel AISI 304 + vulcanized rubber.

Rubber: 70 shore hardness.



With fixing hole

Material, spindle and washer: Stainless Steel AISI 304

Base: Stainless Steel AISI 304 + vulcanized rubber.

Rubber: 70 shore hardness.

Chains & sprockets	Wear strips	Side guide brackets & accessories	Levelers	Engineering manual
Modular belts & sprockets	Chain & belt return systems	Frame & structure supports	Bearing supports	
Curves & tracks	Side guide solutions	Miscellaneous products	Equipment	

55690a

FIXED FOOT Ø75 / 100 / 125 mm WITH THREAD COVER

www.SystemPlastSmartGuide.com

Material, spindle and washer: Stainless Steel AISI 304

Base: Stainless Steel AISI 304 + vulcanized rubber.

Rubber: 55 shore hardness.



Ø D.75

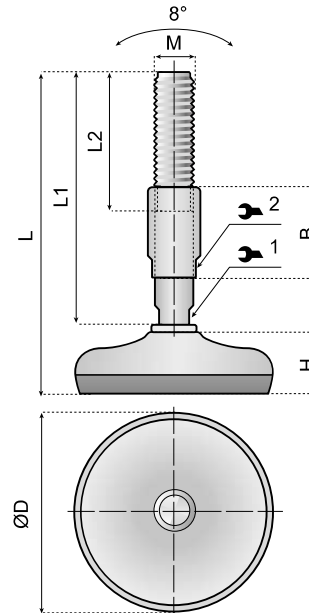
Ø D	H mm		M	L mm	L1 mm	L2 mm	B mm	ITEM DESCRIPTION ASSEMBLED
75	23	8.000	M16	235	210	130	85	LSSC75-SM16L235
			M20	235	210	130	85	LSSC75-SM20L235
			M24	185	160	110	55	LSSC75-SM24L185

Ø D.100

Ø D	H mm		M	L mm	L1 mm	L2 mm	B mm	ITEM DESCRIPTION ASSEMBLED
100	30	20.000	M16	240	210	85	85	LSSC100-SM16L240
			M20	240	210	130	85	LSSC100-SM20L240
			M24	190	160	110	55	LSSC100-SM24L190

Ø D.125

Ø D	H mm		M	L mm	L1 mm	L2 mm	B mm	ITEM DESCRIPTION ASSEMBLED
125	32	30.000	M16	245	210	130	85	LSSC125-SM16L245
			M20	245	210	130	85	LSSC125-SM20L245
			M24	195	160	110	55	LSSC125-SM24L195



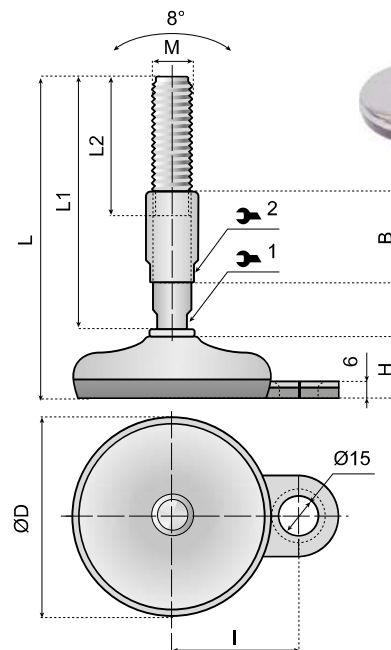
M		
M16	13	19
M20	16	24
M24	19	27

Ø D.75

Ø D	I mm	H mm		M	L mm	L1 mm	L2 mm	B mm	ITEM DESCRIPTION
75	52.5	23	8.000	M16	235	210	130	85	LSSC75-01-SM16L235
				M20	235	210	130	85	LSSC75-01-SM20L235
				M24	185	160	110	55	LSSC75-01-SM24L185

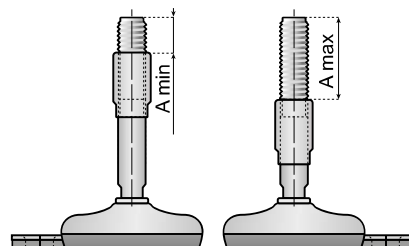
Ø D.100

Ø D	I mm	H mm		M	L mm	L1 mm	L2 mm	B mm	ITEM DESCRIPTION
100	65	30	20.000	M16	240	210	130	85	LSSC100-01-SM16L240
				M20	240	210	130	85	LSSC100-01-SM20L240
				M24	190	160	110	55	LSSC100-01-SM24L190



ADJUSTMENT RANGE

	A MIN	A MAX
L1 = 160 B = 55	56,6	95,4
L1 = 210 B = 85	45,6	114,5

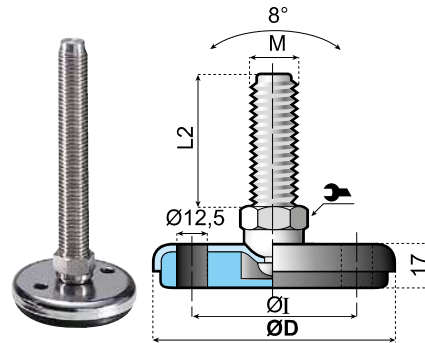
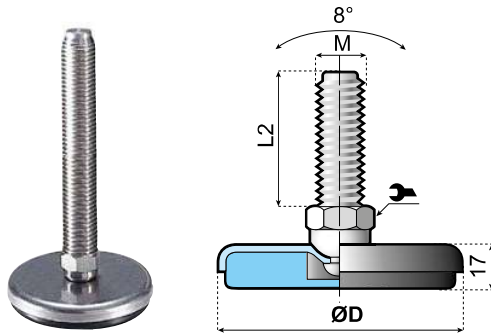


Chains & sprockets	Wear strips	Side guide brackets & accessories	Levelers	Engineering manual
Modular belts & sprockets	Chain & belt return systems	Frame & structure supports	Bearing supports	
Curves & tracks	Side guide solutions	Miscellaneous products	Equipment	

55705a

ARTICULATED FOOT Ø80 mm / Ø125 mm

www.SystemPlastSmartGuide.com



Ø D.80

SPINDLE & BASE MATERIAL	M	L2 mm	ITEM DESCRIPTION	SPINDLE TYPE		
Zinc Plated Steel	M16	115	LMP80H-PM16L145	7	20	18.000
		135	LMP80H-PM16L165			
	M20	115	LMP80H-PM20L145	8	24	
	M24	185	LMP80-PM24L215			
	M30	185	LMP80-PM30L215			
Stainless Steel AISI 304	M16	115	LMP80H-SM16L145	7	20	18.000
		135	LMP80H-SM16L165			
	M20	135	LMP80H-SM20L165	8	24	
	M24	125	LMP80-SM24L155			
	M30	125	LMP80-SM30L155			
	M30	125	LMP80-SM30L155			

Base: Reinforced polyamide.

Ø D.80

SPINDLE & BASE MATERIAL	M	Ø1 mm	L2 mm	ITEM DESCRIPTION	SPINDLE TYPE		
Zinc Plated Steel	M16	50	115	LMP80H-02-PM16L145	7	20	18.000
			135	LMP80H-02-PM16L165			
	M20	115	LMP80H-02-PM20L145	8	24		
	M30	185	LMP80-02-PM30L215				
Stainless Steel AISI 304	M16	50	115	LMP80H-02-SM16L145	7	20	18.000
			135	LMP80H-02-SM16L165			
	M20	135	LMP80H-02-SM20L165	8	24		
	M30	125	LMP80-02-SM30L155				

Base: Reinforced polyamide.

Ø D.125

SPINDLE & BASE MATERIAL	M	L2 mm	ITEM DESCRIPTION ASSEMBLED	SPINDLE TYPE		
Zinc Plated Steel	M16	115	LMP125H-PM16L145	7	20	26.000
		135	LMP125H-PM16L165			
	M20	115	LMP125H-PM20L145	8	24	
	M24	125	LMP125-PM24L155			
	M30	185	LMP125-PM30L215			
Stainless Steel AISI 304	M16	115	LMP125H-SM16L145	7	20	26.000
		135	LMP125H-SM16L165			
	M20	135	LMP125H-SM20L165	8	24	
	M24	125	LMP125-SM24L155			
	M30	185	LMP125-SM24L215			
	M30	185	LMP125-SM30L215			

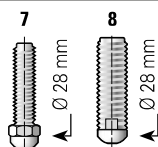
Base: Reinforced polyamide.

Ø D.125

SPINDLE & BASE MATERIAL	M	Ø1 mm	L2 mm	ITEM DESCRIPTION	SPINDLE TYPE		
Zinc Plated Steel	M16	85	115	LMP125H-02-PM16L145	7	20	26.000
			135	LMP125H-02-PM16L165			
	M20	115	LMP125H-02-PM20L145	8	24		
	M24	125	LMP125-02-PM24L155				
	M30	185	LMP125-02-PM30L215				
Stainless Steel AISI 304	M16	85	115	LMP125H-02-SM16L145	7	20	26.000
			135	LMP125H-02-SM16L165			
	M20	135	LMP125H-02-SM20L165	8	24		
	M24	125	LMP125-02-SM24L155				
	M30	185	LMP125-02-SM24L215				

Base: Reinforced polyamide.

SPINDLE TYPE



ANTI-SLIP PAD



Item description:

RPAD8006	for foot Ø D.80
RPAD12506	for foot Ø D.125

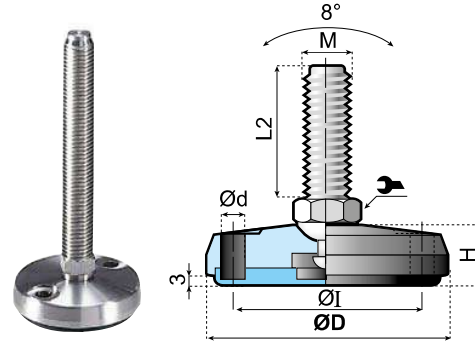
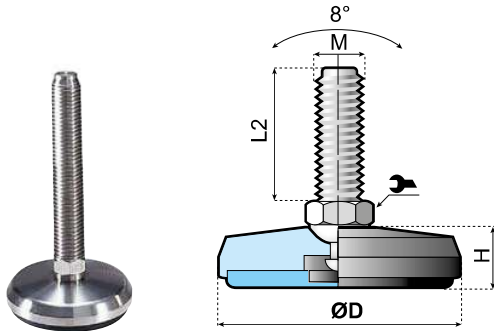
Anti-slip pad: oil resistant rubber, 55 shore hardness.

Chains & sprockets	Wear strips	Side guide brackets & accessories	Levelers	Engineering manual
Modular belts & sprockets	Chain & belt return systems	Frame & structure supports	Bearing supports	
Curves & tracks	Side guide solutions	Miscellaneous products	Equipment	

55720a

ARTICULATED FOOT Ø80 mm / Ø120 mm

www.SystemPlastSmartGuide.com



Characteristics:

The foot can be fixed to the floor.

Version with zinc plated steel spindles have yellow painted base plates.

Version with zinc plated steel spindles have yellow painted base plates.

Ø 80

Ø 80

SPINDLE & BASE MATERIAL	M	H	L2 mm	ITEM DESCRIPTION	SPINDLE TYPE		
Zinc Plated Steel	M16	24	115	LMM80H-PM16L155	7		50.000
			135	LMM80H-PM16L175			
			115	LMM80H-PM20L155			
	M20		135	LMM80H-PM20L175	24		
			M24	125	LMM80-PM24L165	19	
				M30	125	LMM80-PM30L165	
Stainless Steel AISI 304	M16	24	115	LMM80H-SM16L155	7		50.000
			135	LMM80H-SM16L175			
			115	LMM80H-SM20L155			
	M20		135	LMM80H-SM20L175	24		
			M24	125	LMM80-SM24L165	19	
				M30	185	LMM80-SM24L225	
	M30		185	LMM80-SM30L225	24		

SPINDLE & BASE MATERIAL	M	Ø1 mm	Ø D mm	H mm	L2 mm	ITEM DESCRIPTION	SPINDLE TYPE				
Stainless Steel AISI 304	M16	54	14	24	115	LMM80H-02-SM16L155	7		50.000		
					135	LMM80H-02-SM16L175					
					135	LMM80H-02-SM20L175					
	M20				125	LMM80-02-SM24L165	8				
					M24	185				LMM80-02-SM24L225	19
						M30				185	LMM80-02-SM30L225

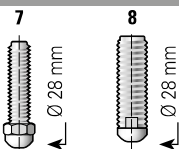
Ø 120

Ø 120

SPINDLE & BASE MATERIAL	M	H	L2 mm	ITEM DESCRIPTION	SPINDLE TYPE				
Zinc Plated Steel	M16	28	115	LMM120H-PM16L160	7		50.000		
			115	LMM120H-PM20L160					
			135	LMM120H-PM20L180					
	M20		125	LMM120-PM24L170	8				
			M24	185				LMM120-PM24L230	19
				M30				125	LMM120-PM30L170
Stainless Steel AISI 304	M16	28	115	LMM120H-SM16L160	7		50.000		
			135	LMM120H-SM16L180					
			115	LMM120H-SM20L160					
	M20		135	LMM120H-SM20L180	24				
			M24	125	LMM120-SM24L170	8			
				M30	185				LMM120-SM24L230
M30	185		LMM120-SM30L230	24					

SPINDLE & BASE MATERIAL	M	Ø1 mm	L2 mm	ITEM DESCRIPTION	SPINDLE TYPE				
Zinc Plated Steel	M16	84	115	LMM120H-02-PM16L160	7		50.000		
			135	LMM120H-02-PM16L180					
			115	LMM120H-02-PM20L160					
	M20		135	LMM120H-02-PM20L180	8				
			M24	185				LMM120-02-PM24L230	19
				M30				135	LMM120H-02-SM16L180
M20	115	LMM120H-02-SM20L160	8						
	M24	135			LMM120H-02-SM20L180	19			
		M30			125		LMM120-02-SM24L170	24	
M30	185	LMM120-02-SM24L230	8						
	M24	125			LMM120-02-SM30L170	19			
		M30			185		LMM120-02-SM30L230	24	

SPINDLE TYPE



ANTI-SLIP PAD



Item description:

RPAD7207-90	for foot Ø 80
RPAD10108-90	for foot Ø 120

Anti-slip pad: oil resistant rubber, 95 shore hardness,

Chains & sprockets	Wear strips	Side guide brackets & accessories	Levelers	Engineering manual
Modular belts & sprockets	Chain & belt return systems	Frame & structure supports	Bearing supports	
Curves & tracks	Side guide solutions	Miscellaneous products	Equipment	

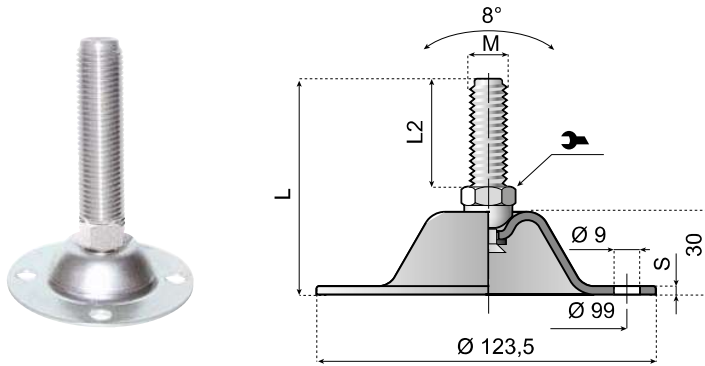
5 5 7 3 5 a

ARTICULATED FOOT Ø123 mm

www.SystemPlastSmartGuide.com

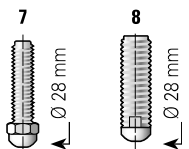


VERSION WITH 4 HOLES

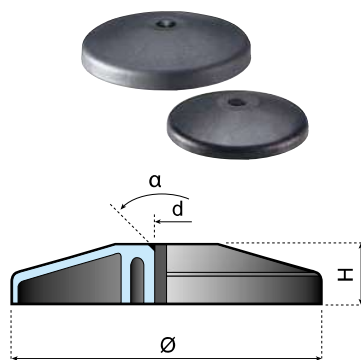


SPINDLE & BASE MATERIAL	M	L mm	L2 mm	s	ITEM DESCRIPTION	SPINDLE TYPE			
Zinc Plated Steel	16	155	115	4	LMPH123H-04-PM16L155	7	20	10.000	
		175	135		LMPH123H-04-PM16L175				
	20	160	115		LMPH123H-04-PM20L160		8		24
		180	135		LMPH123H-04-PM20L180				
	24	170	125		LMPH123-04-PM24L170	8	19		
		230	185		LMPH123-04-PM24L230		24		
		30	230		185				LMPH123-04-PM30L230
Stainless Steel AISI 304	16	155	115	3	LMPH123H-04-SM16L155	7	20	6.000	
		175	135		LMPH123H-04-SM16L175				
	20	160	115		LMPH123H-04-SM20L160		8		24
		180	135		LMPH123H-04-SM20L180				
	24	170	125		LMPH123-04-SM24L170	8	19		
		230	185		LMPH123-04-SM24L230		24		
		30	170		125				LMPH123-04-SM30L170

SPINDLE TYPE



ALTERNATIVE BASE PLATES



Material: Polyamide reinforced.

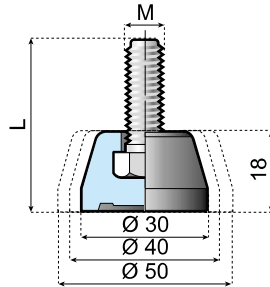
Ø mm	H mm	D mm	α		ITEM DESCRIPTION
80	21	11	90°	16.000	LB80
100	23	11	90°	18.000	LB100
150	28	11	90°	28.000	LB150
200	40	8,5	120°	40.000	LB200

Chains & sprockets	Wear strips	Side guide brackets & accessories	Levelers	Engineering manual
Modular belts & sprockets	Chain & belt return systems	Frame & structure supports	Bearing supports	
Curves & tracks	Side guide solutions	Miscellaneous products	Equipment	

55750a

FIXED FOOT Ø30 / 40 / 50 mm

www.SystemPlastSmartGuide.com



SOLID BASE

Ø D.30

SPINDLE MATERIAL	M	L mm	ITEM DESCRIPTION	SPINDLE TYPE	
Zinc Plated Steel	M8	55	LFM30-PM8L55	9	5.000
		75	LFM30-PM8L75		
	M10	55	LFM30-PM10L55		
		75	LFM30-PM10L75		
Stainless Steel AISI 304	M8	55	LFM30-SM8L55	9	5.000
		75	LFM30-SM8L75		
	M10	55	LFM30-SM10L55		
		75	LFM30-SM10L75		

Base: Polyethylene.

Ø D.50

SPINDLE MATERIAL	M	L mm	ITEM DESCRIPTION	SPINDLE TYPE	
Zinc Plated Steel	M8	55	LFM50-PM8L55	9	9.000
	M10	75	LFM50-PM10L75		
		M12	55		
	75		LFM50-PM12L75		
Stainless Steel AISI 304	M8	75	LFM50-SM8L75	9	9.000
		M10	55		
	M12		75		
		75	LFM50-SM12L75		

Base: Polyethylene.

Ø D.40

SPINDLE MATERIAL	M	L mm	ITEM DESCRIPTION	SPINDLE TYPE	
Zinc Plated Steel	M8	55	LFM40-PM8L55	9	7.000
		M10	55		
	M12		75		
		75	LFM40-PM12L75		
Stainless Steel AISI 304	M8	55	LFM40-SM8L55	9	7.000
		M10	55		
	M12		75		
		75	LFM40-SM12L55		
75	LFM40-SM12L75				

Base: Polyethylene.

SPINDLE TYPE

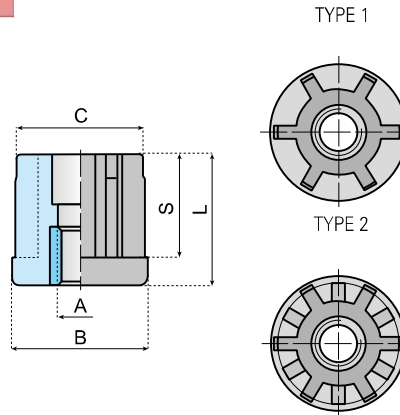


Chains & sprockets	Wear strips	Side guide brackets & accessories	Levelers	Engineering manual
Modular belts & sprockets	Chain & belt return systems	Frame & structure supports	Bearing supports	
Curves & tracks	Side guide solutions	Miscellaneous products	Equipment	

5 5 7 6 5 a THREADED TUBE ENDS FOR ROUND AND SQUARE TUBES

www.SystemPlastSmartGuide.com

ROUND TUBES



MOQ Min. order quantity: 300 pcs.

ROUND TUBES MAX.STATIC LOAD						
Ø MM	30	38	42	48	50	60
N	3.000	5.000	6.000	6.000	6.500	8.000

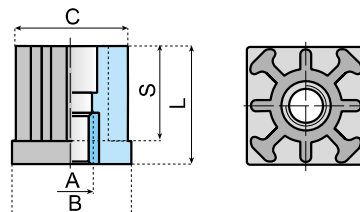
Stated load values are meant for static conditions. Such values have to be adequately reduced in presence of high frequency vibrations or dynamic loads. To contact your local Technical Support check our website: www.regalex nord.com or send an email to SystemPlastTechSupport@regalex nord.com

Material:

Polyamide; threaded bush in nickel plated brass.

EXTER-NAL DIAMETER MM	INTER-NAL DIAMETER MM	WALL THICKNESS TUBE MM	TYPE	B mm	C mm	L mm	S mm	THREADED METRIC - PART NUMBER				
								M10	M12	M14	M16	M20
30	28	1	1	30	28,4	35	29	TE-R3010-BM10	TE-R3010-BM12	TE-R3010-BM14	-	-
38	35	1,5	1	38	35,5	46,5	38	TE-R3815-BM10	TE-R3815-BM12	TE-R3815-BM14	TE-R3815-BM16	-
42,4	39,4	1,5	1	42	39,9	45,5	38	TE-R4215-BM10	TE-R4215-BM12	TE-R4215-BM14	TE-R4215-BM16	TE-R4215-BM20
48,3	45,3	1,5	1	48	45,8	55	45	-	TE-R4815-BM12	TE-R4815-BM14	TE-R4815-BM16	TE-R4815-BM20
50,9	47,9	1,5	1	50	48,4	49	38	-	TE-R5115-BM12	TE-R5115-BM14	TE-R5115-BM16	TE-R5115-BM20
60,3	57,3	1,5	2	60	58	50	38	TE-R6015-BM10	TE-R6015-BM12	TE-R6015-BM14	TE-R6015-BM16	TE-R6015-BM20
60,3	56,3	2	2	60	55,8	55	45	-	-	-	TE-R6020-BM16	TE-R6020-BM20
60,3	55,3	2,5	2	60	56	50	38	-	-	-	TE-R6025-BM16	TE-R6025-BM20

SQUARE TUBES



SQUARE TUBES MAX.STATIC LOAD							
Ø mm	25	30	35	38	40	50	60
N	5.000	5.500	5.500	6.000	6.000	10.000	12.000

Stated load values are meant for static conditions. Such values have to be adequately reduced in presence of high frequency vibrations or dynamic loads. To contact your local Technical Support check our website: www.regalex nord.com or send an email to SystemPlastTechSupport@regalex nord.com

Material:

Polyamide; threaded bush in nickel plated brass.

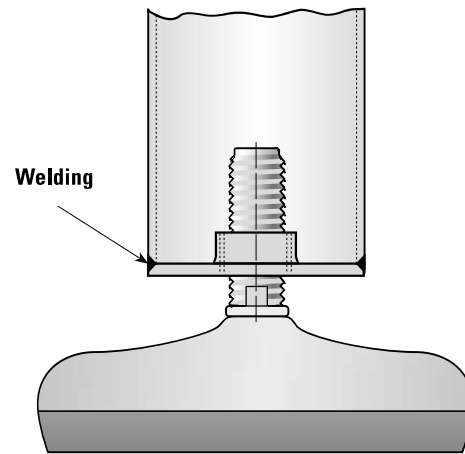
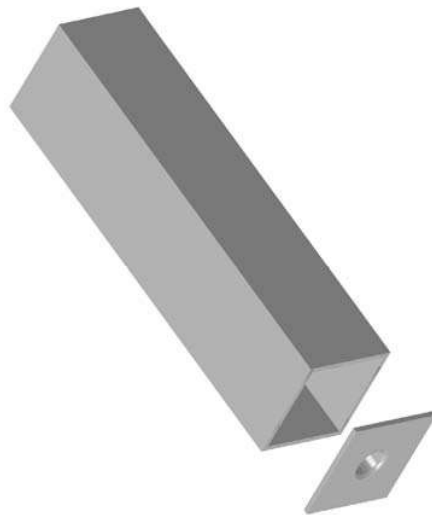
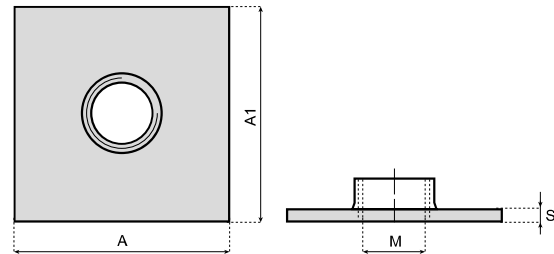
EXTERNAL DIAMETER MM	INTERNAL DIAMETER MM	WALL THICKNESS TUBE MM	B mm	C mm	L mm	S mm	THREAD METRIC - PART NUMBER					
							M8	M10	M12	M14	M16	M20
25	22	1,5	25	22,5	30	25	TE-S2515-BM8	TE-S2515-BM10	TE-S2515-BM12	-	-	-
30	27	1,5	30	27,5	33	27	-	TE-S3015-BM10	TE-S3015-BM12	TE-S3015-BM14	TE-S3015-BM16	-
30	26	2	30	26,5	33	27	-	TE-S3020-BM10	TE-S3020-BM12	TE-S3020-BM14	TE-S3020-BM16	-
35	32	1,5	35	32,5	43	35	-	TE-S3515-BM10	TE-S3515-BM12	TE-S3515-BM14	TE-S3515-BM16	TE-S3515-BM20
35	31	2	35	31,5	43	35	-	TE-S3520-BM10	TE-S3520-BM12	TE-S3520-BM14	TE-S3520-BM16	TE-S3520-BM20
38,1	34,9	1,6	38	35,4	43	35	-	TE-S3816-BM10	TE-S3816-BM12	TE-S3816-BM14	TE-S3816-BM16	TE-S3816-BM20
38,1	32,1	3	38	32,6	43	35	-	TE-S3830-BM10	TE-S3830-BM12	TE-S3830-BM14	TE-S3830-BM16	TE-S3830-BM20
40	37	1,5	40	37,5	55	45	-	TE-S4015-BM10	TE-S4015-BM12	TE-S4015-BM14	TE-S4015-BM16	TE-S4015-BM20
40	36	2	40	36,5	55	45	-	TE-S4020-BM10	TE-S4020-BM12	TE-S4020-BM14	TE-S4020-BM16	TE-S4020-BM20
50	47	1,5	50	47,5	55	44	-	-	TE-S5015-BM12	TE-S5015-BM14	TE-S5015-BM16	TE-S5015-BM20
50	46	2	50	46,5	55	44	-	-	TE-S5020-BM12	TE-S5020-BM14	TE-S5020-BM16	TE-S5020-BM20
50	45	2,5	50	45,5	55	44	-	-	TE-S5025-BM12	TE-S5025-BM14	TE-S5025-BM16	TE-S5025-BM20
60	46	2	60	56,5	55	45	-	-	-	TE-S6020-BM14	TE-S6020-BM16	TE-S6020-BM20

Chains & sprockets	Wear strips	Side guide brackets & accessories	Levelers	Engineering manual
Modular belts & sprockets	Chain & belt return systems	Frame & structure supports	Bearing supports	
Curves & tracks	Side guide solutions	Miscellaneous products	Equipment	

5 5 7 6 5 c

WELDED ENDPLATES

www.SystemPlastSmartGuide.com



Material: Stainless Steel AISI 304

M	A mm	A1 mm	S mm	ITEM DESCRIPTION
M12	40	40	3	TWP-S4030-M12
M16				TWP-S4030-M16
M20				TWP-S4030-M20
M16	50	50		TWP-S5030-M16

Chains & sprockets	Wear strips	Side guide brackets & accessories	Levelers	Engineering manual
Modular belts & sprockets	Chain & belt return systems	Frame & structure supports	Bearing supports	
Curves & tracks	Side guide solutions	Miscellaneous products	Equipment	

5 5 7 8 0 a

ARTICULATED FOOT Ø80 mm

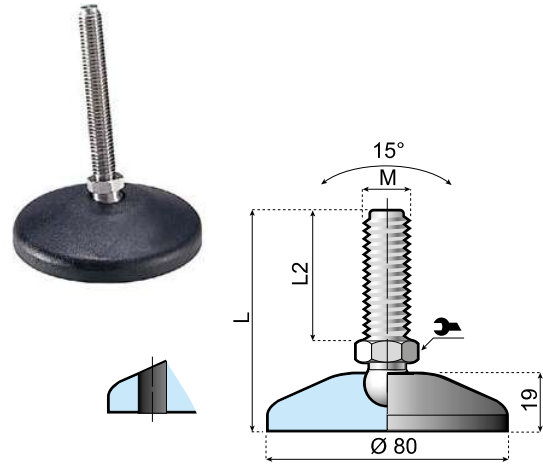
www.SystemPlastSmartGuide.com



SOLID BASE

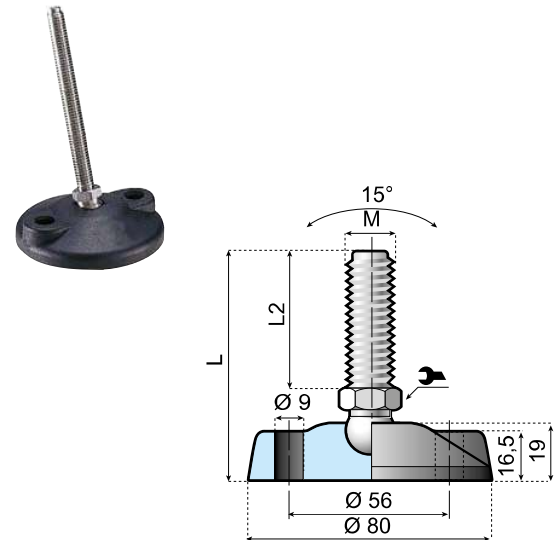
SPINDLE MATERIAL	M	L mm	L2 mm	ITEM DESCRIPTION ASSEMBLED	SPINDLE TYPE		
Zinc Plated Steel	M10	102	70	LA80SH-PM10L100	2A	14	22.000
	M16	97	70	LA80S-PM16L95	15A	13	
Stainless Steel AISI 304	M12	97	70	LA80SH-SM12L95	2A	14	22.000
		152	125	LA80SH-SM12L150			
	M16	97	70	LA80S-SM16L95	15A	13	
		147	120	LA80S-SM16L145			

Base: Reinforced polyamide.

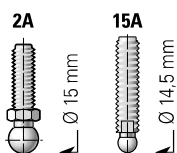


SOLID BASE WITH HOLES

SPINDLE MATERIAL	M	L mm	L2 mm	ITEM DESCRIPTION	SPINDLE TYPE		
Zinc Plated Steel	M16	149	119	LA80S-02-PM16L150	15A	13	22.000
Stainless Steel AISI 304	M12	153	125	LA80SH-02-SM12L155	2A	14	22.000
	M16	99	69	LA80S-02-SM16L100	15A	13	
149		119	LA80S-02-SM16L150				



SPINDLE TYPE

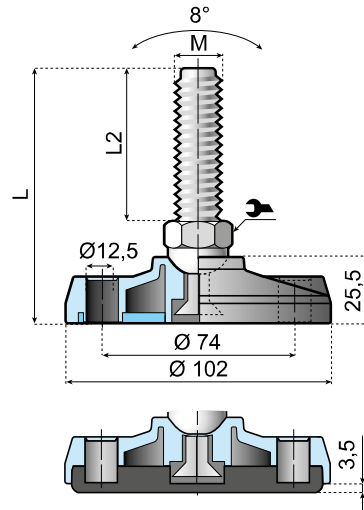


Chains & sprockets	Wear strips	Side guide brackets & accessories	Levelers	Engineering manual
Modular belts & sprockets	Chain & belt return systems	Frame & structure supports	Bearing supports	
Curves & tracks	Side guide solutions	Miscellaneous products	Equipment	

5 5 7 9 5 a

ARTICULATED FOOT Ø100 mm WITH HOLES

www.SystemPlastSmartGuide.com



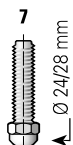
Characteristics:

The foot can be fixed to the floor by opening the signs marked on the base.

SPINDLE MATERIAL	M	L mm	L2 mm	ITEM DESCRIPTION		SPINDLE TYPE	Wrench icon	Nut icon
				STANDARD WITHOUT RUBBER	ANTI-SLIP WITH RUBBER			
Zinc Plated Steel	M16	156,5	115	LAX102H-02B-PM16L150	-	7	20	20.000
		176,5	135	LAX102H-02B-PM16L175	-			
	M20	176,5	135	-	LAX102H-02B-PM20L175R	24		
Stainless Steel AISI 304	M16	156,5	125	-	LAX102H-02B-SM16L150R	7	20	20.000
		176,5	135	LAX102H-02B-SM16L175	-			
	M20	156,5	125	LAX102H-02B-SM20L150	-	24		
		176,5	135	LAX102H-02B-SM20L175	LAX102H-02B-SM20L175R			

Base: Reinforced polyamide.

SPINDLE TYPE



ANTI-SLIP PAD

Item description:

RPAD9308

Anti-slip pad: oil resistant rubber, 55 shore hardness.



Chains & sprockets	Wear strips	Side guide brackets & accessories	Levelers	Engineering manual
Modular belts & sprockets	Chain & belt return systems	Frame & structure supports	Bearing supports	
Curves & tracks	Side guide solutions	Miscellaneous products	Equipment	

55810a

ARTICULATED FOOT Ø100 mm WITH HOLES

www.SystemPlastSmartGuide.com



Solid base series

The solid base will help equipment builders meet the requirements of the USDA and other government agencies, related to the prevention of contamination of food products and the growth of bacteria.

Characteristics:

The foot can be fixed to the floor.

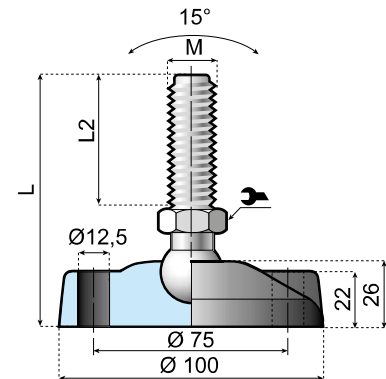
SPINDLE MATERIAL	M	L mm	L2 mm	ITEM DESCRIPTION	SPINDLE TYPE	Wrench	Weight
Zinc Plated Steel	M16	152	115	LA100SH-02-PM16L150	2B	24	25.000
	M20	122	85	LA100SH-02-PM20L120			
		182	145	LA100SH-02-PM20L180			
Stainless Steel AISI 304	M16	97	60	LA100SH-02-SM16L95	2B	24	25.000
		152	115	LA100SH-02-SM16L150			
	M20	152	115	LA100SH-02-SM20L150			
		232	195	LA100SH-02-SM20L230			
		190	145	LA100SH-02-SM24L190	2C		

Base: Reinforced polyamide.



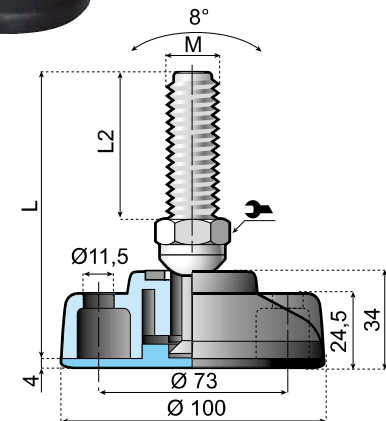
HIGH LOAD CAPACITY

SOLID BASE



SPINDLE MATERIAL	M	L mm	L2 mm	ITEM DESCRIPTION		SPINDLE TYPE	Wrench	Weight
				STANDARD WITHOUT RUBBER	ANTI-SLIP WITH RUBBER			
Zinc Plated Steel	M16	182	135	LAX100H-02-PM16L180	LAX100H-02-PM16L180R	7	20	25.000
	M20	182	135	LAX100H-02-PM20L180	-			
	M24	232	185	LAX100-02-PM24L185	LAX100-02-PM24L185R	8	19	
	M30	172	125	LAX100-02-PM30L170	LAX100-02-PM30L170R			
Stainless Steel AISI 304	M16	162	115	LAX100H-02-SM16L160	-	7	19	25.000
		182	135	LAX100H-02-SM16L180	LAX100H-02-SM16L180R			
	M20	182	135	LAX100H-02-SM20L180	LAX100H-02-SM20L180R	8	19	
	M24	232	185	-	LAX100-02-SM24L185R			
	M30	232	185	LAX100-02-SM30L185	LAX100-02-SM30L185R			

Base: Reinforced polyamide.



SPINDLE TYPE				
2B	2C	3C	7	8
Ø 19 mm	Ø 24,5 mm	Ø 24,5 mm	Ø 28 mm	Ø 28 mm

ANTI-SLIP PAD

Item description:

RPAD10004

Anti-slip pad: oil resistant rubber, 55 shore hardness.

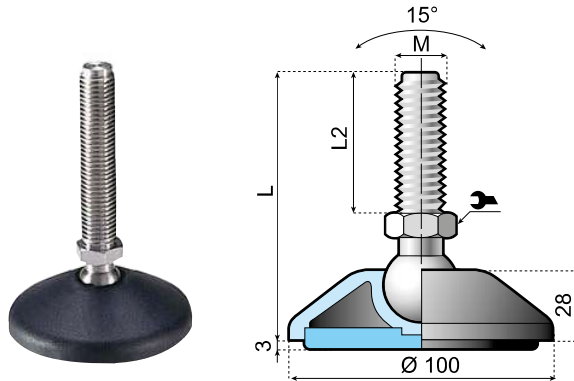


Chains & sprockets	Wear strips	Side guide brackets & accessories	Levelers	Engineering manual
Modular belts & sprockets	Chain & belt return systems	Frame & structure supports	Bearing supports	
Curves & tracks	Side guide solutions	Miscellaneous products	Equipment	

55825a

ARTICULATED FOOT Ø100 mm

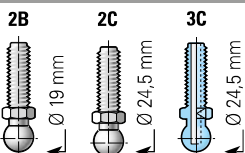
www.SystemPlastSmartGuide.com



SPINDLE MATERIAL	M	L mm	L2 mm	ITEM DESCRIPTION ASSEMBLED		SPINDLE TYPE	🔧	📦
				STANDARD WITHOUT RUBBER	ANTI-SLIP WITH RUBBER			
Zinc Plated Steel	M16	99	60	-	LA100H-PM16L100R	2B	20	18.000
		154	115	LA100H-PM16L155	LA100H-PM16L155R			
		184	145	LA100H-PM16L185	LA100H-PM16L185R			
		234	195	LA100H-PM16L235	-			
	M20	234	195	-	LA100H-PM20L235R	2C	24	18.000
M24	240	195	LA100H-PM24L240	LA100H-PM24L240R				
Stainless Steel AISI 304	M16	99	60	LA100H-SM16L100	-	2B	20	18.000
		154	115	LA100H-SM16L155	LA100H-SM16L155R			
		184	145	LA100H-SM20L185	LA100H-SM20L185R			
	M20	184	145	LA100H-SM20L185	LA100H-SM20L185R	2C	24	18.000
		234	195	LA100H-SM20L235	LA100H-SM20L235R			
		M24	190	145	LA100H-SM24L190			

Base: Reinforced polyamide.

SPINDLE TYPE



ANTI-SLIP PAD

Item description:

RPAD9308

Anti-slip pad: oil resistant rubber, 55 shore hardness.



Chains & sprockets	Wear strips	Side guide brackets & accessories	Levelers	Engineering manual
Modular belts & sprockets	Chain & belt return systems	Frame & structure supports	Bearing supports	
Curves & tracks	Side guide solutions	Miscellaneous products	Equipment	

55840a

FOOT Ø123 mm WITH HOLES

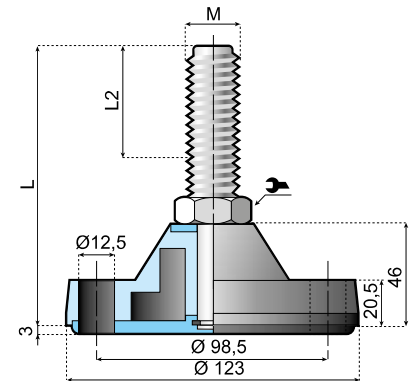
www.SystemPlastSmartGuide.com



Characteristics:

The foot can be fixed to the floor.

SPINDLE MATERIAL	M	L mm	L2 mm	ITEM DESCRIPTION		SPINDLE TYPE	🔧	📦
				STANDARD WITHOUT RUBBER	ANTI-SLIP WITH RUBBER			
Zinc Plated Steel	M16	153	98	LAF123H-02-PM16L155	LAF123H-02-PM16L155R	6B	22	35.000
	M20	209	154	LAF123H-02-PM20L210	LAF123H-02-PM20L210R			
	M24	253	198	LAF123H-02-PM24L255	LAF123H-02-PM24L255R			
Stainless Steel AISI 304	M20	153	98	LAF123H-02-SM20L155	-	6B	22	35.000
	M20	203	148	LAF123H-02-SM20L205	-			
	M24	203	148	LAF123H-02-SM24L205	LAF123H-02-SM24L205R			



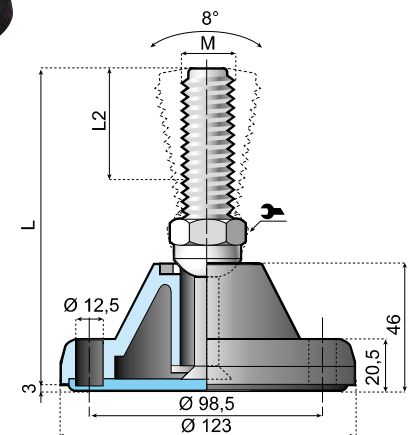
Base: Reinforced polyamide.



Characteristics:

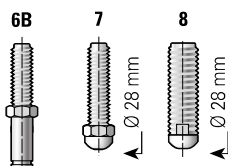
The foot can be fixed to the floor.

SPINDLE MATERIAL	M	L mm	L2 mm	ITEM DESCRIPTION		SPINDLE TYPE	🔧	📦
				STANDARD WITHOUT RUBBER	ANTI-SLIP WITH RUBBER			
Zinc Plated Steel	M20	199	135	LAX123H-02-PM20L200	LAX123H-02-PM20L200R	7	24	30.000
	M24	249	185	LAX123-02-PM24L250	LAX123-02-PM24L250R	8	19	
	M30	189	125	LAX123-02-PM30L190	LAX123-02-PM30L190R			
M30		249	185	LAX123-02-PM30L250	LAX123-02-PM30L250R	8	24	
Stainless Steel AISI 304	M20	199	135	LAX123H-02-SM20L200	LAX123H-02-SM20L200R	7	24	30.000
	M24	249	185	LAX123-02-SM24L250	LAX123-02-SM24L250R	8	19	
	M30	249	185	LAX123-02-SM30L250	LAX123-02-SM30L250R			



Base: Reinforced polyamide.

SPINDLE TYPE



ANTI-SLIP PAD

Item description:

RPAD12208



Anti-slip pad: oil resistant rubber, 55 shore hardness.

Chains & sprockets	Wear strips	Side guide brackets & accessories	Levelers	Engineering manual
Modular belts & sprockets	Chain & belt return systems	Frame & structure supports	Bearing supports	
Curves & tracks	Side guide solutions	Miscellaneous products	Equipment	

7 3 5 8 6 a CHEMICAL RESISTANCE OF STANDARD MATERIALS MATERIALS

Data shown in the table was taken from laboratory tests performed on unstrained samples and are merely indicative.

Chemical resistance under normal working conditions can depend on various factors, such as stress and temperature, concentration of the chemical agent and contact time. Conveyor rinsing can also be a huge factor, as a corrosive chemical that is allowed to dry and concentrate will be more problematic than one that is allowed contact for a short time and thoroughly rinsed away.



continue ►

VALID FOR AMBIENT TEMPERATURE (21°C / 70°F)

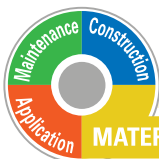
CHEMICAL AGENT	METALS								PLASTICS						RUBBERS											
	EXTRA		AISI 304		AISI 316		OT.NI		LF (POM)		NGE (PBT)		PP		PA		PE		EPDM		NBR		SEBS		VITON*	
	C%		C%		C%		C%		C%		C%		C%		C%		C%		C%		C%		C%		C%	
Acetic Acid	5	✓	20	✓	100	✓		○	5	✗	10	✓	40	✓	10	✗	10	✓	25	✓		✗	25	○	20	✗
Acetone		✓	25	✓		✓	✓			○		○		✓	100	✓		✓		✓		✗		○		✗
Acrylonitrile						✓								✓	100	✓		✓		✓		✗		○		✗
Aluminium chloride				○	10	○								○	10	✓		✓		✓		✓	✓	✓	SA	✓
Aluminium sulphate					SA	✓								✓	10	✓	SA	✓		✓		✓	✓	✓	SA	✓
Amyl alcohol				✓		✓					✓			✓	10	✓				✓		✓	✓	✓	✓	✓
Ammonia		✓	100	✓		✓		✗		✓		○	30	✓	10	✓		✓		✓		○	○	○		○
Ammonium chloride				○		✓						10	✓	10	✓		✓		✓		✓	✓	✓	✓	SA	✓
Aniline		✓			✓	✓							✓	100	○	3	✓		✗		✗	✗	✗			✓
Barium chloride				○	SA	✓							✓	10	✓		✓		✓		✓	✓	✓	✓	✓	✓
Beer		✓		✓		✓		✓		✓			✓			✓		✓		✓		✓	✓	✓	✓	✓
Benzene		✓	70	○		✓			✓		✓		✓			○		✗		✓			✗			✓
Benzoic acid			100	✓	SA	✓					✓	SA	✓	SA	○			✗		✓		✓	✗		✓	
Benzol				✓		✓		✓		✓			○	100	✓		✓		✗		✗	✗	✗			○
Boric acid		○	SA	✓		✓			✗	10	✓	SA	✓	10	✓	SA	✓		✓		✓	✓	✓	SA	✓	
Brine	10	✗		○		✓							○		○		✓		✓				○			○
Butter				✓		✓		✓		✓			✓			✓		✓		✓		✓	✓	○		✓
Butyl acetate						✓			✓		○	○	100	✓			✓		○				○			✗
Butyl alcohol				✓					✓		✓		✓	100	✓		✓		✓		○		✓	✓	✓	✓
Butyl glycole						✓					✓		✓	100	✓		✓		✓				✓	✓	✓	✓
Calcium chloride		✗		○		✓		✓	10	✓		✓	50	✓	10	✓	SA	✓		✓			✓	SA	✓	✓
Carbon sulphide				✓		✓				✓			✓	100	✓		○		✗		✗	✗	✗			✓
Carbon tetrachloride			10	✓				✓		✓		✗		✓					✗		✗					✓
Chlorine water		✗		✗		○			✗	✗		✗					✓		3	○			3	○		
Chloroform		○	10	✓		✓		✓		✗	✗		○	100	✗		✗		✗		✗	✗	✗			✓
Chromic acid			25	✓	50	○			✗	○				1	○	50	○	50	○	✗		✗	50	✗	50	✓
Citric acid	10	✓		✓	SA	✓		✗		○	10	✓	10	✓	10	○	SA	✓		✓		✓	✓	✓	SA	✓
Cyclohexane						✓					✓		✓	100	✓		✓		✗		✓	✓	✗			✓
Cyclohexanol						✓					✓		✓	100	✓		✓		✗		✓	✓	○			✓
Decalin						✓					○		✓		✓			✗		○		○	✗			✗
Dioxane						✓			○		✓		○		✓		✓		○		○	✗	✗			✗
Distilled water		✓	10	✓		✓		✓		✓		✓		✓		✓		✓		✓		✓	✓			✗
Ethyl acetate				○		✓			○		○		✓	100	✓		✓			✗						○
Ethyl alcohol				✓						✓		96	✓	96	✓	96	✓			○						✓
Ethyl chloride				✓				○		✓		✗		100	✓		○			○						✗
Ethyl ether						✓					✓		✓	100	✓		○									✓
Ferric chloride				○		✓			○	10	✓		✓	10	✓		✓		✓		✓	✓	✓	SA	✓	✓
Food fats		✓	100	✓		✓				✓								○		○		○				✓
Food oils		✓		✓		✓				✓									○		○					✓

* Viton is believed to be the trademark and/or trade name of The Chemours Company FC, LLC and is not owned or controlled by Regal Beloit Corporation.

ABBREVIATION

- ✓ = good resistance
- = fairly good resistance depending on use conditions
- ✗ = insufficient resistance (not recommended)
- C = concentration
- SA = saturated
- blank spaces = no tests performed

All values are only applicable to temperatures below 21°C / 70°F.



MATERIALS AND CALCULATIONS - General index 7 3 5 1 0 a -

continue ►

7 3 5 6 0 a Steel chain materials

7 3 5 7 6 a Storage of plastic chains and belts & RoHs

7 3 5 8 0 a Coefficient of friction - Measurement procedure

7 3 5 7 3 a Nolu®-S parts

7 3 5 7 8 a Coefficient of friction of standard materials

7 3 5 8 8 a Application temperatures



Chains & sprockets	Wear strips	Side guide brackets & accessories	Levelers	Engineering manual
Modular belts & sprockets	Chain & belt return systems	Frame & structure supports	Bearing supports	
Curves & tracks	Side guide solutions	Miscellaneous products	Equipment	



7 3 5 8 6 b **CHEMICAL RESISTANCE OF STANDARD MATERIALS**
MATERIALS

Data shown in the table was taken from laboratory tests performed on unstrained samples and are merely indicative.

Chemical resistance under normal working conditions can depend on various factors, such as stress and temperature, concentration of the chemical agent and contact time. Conveyor rinsing can also be a huge factor, as a corrosive chemical that is allowed to dry and concentrate will be more problematic than one that is allowed contact for a short time and thoroughly rinsed away.

◀ back continue ▶

VALID FOR AMBIENT TEMPERATURE (21°C / 70°F)

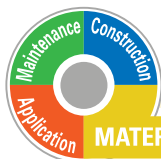
CHEMICAL AGENT	METALS				PLASTICS					RUBBERS											
	EXTRA	AISI 304	AISI 316	OT.NI	LF (POM)	NGE (PBT)	PP	PA	PE	EPDM	NBR	SEBS	VITON*								
	C%	C%	C%	C%	C%	C%	C%	C%	C%	C%	C%	C%	C%								
Formaldehyde		✓	✓	✓	✓	✓	✓	40	✓	30	✓	○	○	○	○	40	✗				
Formic acid	2	○	✗	100	✓	✓	10	✗	○	10	✗	85	✓	✓	✗	✓	○				
Freon 12			✓								✓	100	○		✓		✓				
Fresh water		✓	✓	✓			✓	✓	✓	✓	✓	✓	✓	✓	✓	✓	✓				
Fruit juice		✓	○	✓			✓	✓	✓	✓	✓	✓	✓	✓	✓	✓	✓				
Gasoline		✓	✓	✓	○		✓	○	○	✓	✓	○	✗	○	✗	✓	✓				
Glycerine		✓	✓	✓	○		✓	✓	✓	✓	✓	✓	✓	✓	✓	✓	✓				
Hydrochloric acid		✗	✗	✗	○	35	✗	20	○	30	✓	✗	35	✓	15	✓	15	✓	37	✓	
Hydrofluoric acid			✗	✗				5	○	40	✓	✗	70	✓		✗			48	✓	
Hydrogen peroxide	3	✓	✓	100	✓		30	✓	5	✓		✗	10	○	30	○	✗	30	✗	90	✓
Isopropyl alcohol				✓			✓	✓	✓	✓	✓	✓	✓	✓	✓	✓	✓	✓	✓	✓	✓
Lactic acid		○		✓	✗		✓	10	✓	20	✓	✓	✓	○	✓	○	✓	○	✓	✓	✓
Linseed oil			✓	✓			✓	✓	✓	✓	✓	✓	✓	○	✓	✓	✓	✗			✓
Magnesium chloride			○	✓				✓	✓	✓	✓	✓	✓	✓	✓	✓	✓	✓	SA		✓
Methyl acetate			○	✓			○	○	✓	✓	✓	✓	✓	○	✗	✗	✗	✗	✗		✓
Methyl alcohol			80	✓	✓	✓	✓	✓	✓	✓	✓	✓	✓	✓	○	✓	✓	✓	○		✓
Methylene chloride		○	○	✓	✓		✗	✗	○	○	○	○	○	✗	✗	✗	✗	✗	○		✓
Milk		✓	✓	✓	✓		✓	✓	✓	✓	✓	✓	✓	○	○	✓	✓	✓	✓	✓	✓
Mineral oil			✓	✓			✓	✓	✓	✓	✓	✓	✓	✗	✓	✓	✗	✓	✗		✓
Nitric acid	25	○	65	✓			✗			✓	✓	✗	○		10	✗			70	✓	
Nitrobenzene				✓				✓	✓	○	✓	✓	✓	✗	✗	○	○	○	○		✓
Oxalic acid			65	✓	✓			10	✓	✓	✓	○	○	○	○	○	○	○	○		✓
Paraffin				✓			✓	✓	✓	✓	✓	✓	✓	○	○	○	○	✗			✓
Petroleum			✓	✓	✓		✓	✓	✓	✓	✓	✓	✗	✗	✓	✓	✓	✗	✓		✓
Petroleum ether			✓	✓	✓		✓	○	✓	✓	✓	✓	✓	✗	✗	✗	✗	✗	✓		✓
Phenol			✓	✓	✓		○	✗	✓	✓	✓	✓	○	○	○	○	○	○	○		✓
Phosphoric acid	25	○	✗	✓	✓	✗	✗	✗	✓	✓	✓	✓	✓	✓	20	○	○	✓	85	✓	✓
Potassium bichromate				SA	✓			○	✓	○	SA	✓	✓	✓	○	○	○	SA	✓		✓
Potassium bromite				✓				✓	✓	✓	10	✓	✓	✓	✓	✓	✓	✓	✓		✓
Potassium hydroxide		✓	50	✓	✓			✓	✗	✓	✓	✓	✓	✓	○	✓	✓	✓	✓		✓
Potassium permanganate			✓	✓	✓		10	○	✓	✓	✓	✗	✓	10	✓	✗	10	○	○		✓
Sea water		✗	✓	✓	✓		○	✓	✓	✓	✓	✓	✓	✓	✓	✓	✓	○	○		✓
Silicone oil				✓				✓	✓	✓	✓	✓	✓	✓	✓	✓	✓	✓	✓		✓
Silver nitrate			○	✓					✓	✓	✓	✓	✓	○	○	○	○	○	○		✓
Sodium carbonate		✓	100	○	SA	✓	10	✓	10	✓	✓	✓	✓	✓	✓	✓	✓	✓	✓		✓
Sodium chloride		○	○	✓	✓			✓	10	✓	✓	✓	✓	✓	✓	✓	✓	✓	✓	SA	✓
Sodium hydroxide	40	✓	✓	60	✓		✓	10	✗		✓	✓	✓	✓	○	✓	✓	✓	✓		✓
Sodium hypochlorite			✗	SA	○		✗	10	✓	✓	✓	✓	✓	10	✓	✗	10	○	5		✓
Sodium silicate			100	✓	✓					✓	✓	✓	✓	✓	✓	✓	✓	✓	✓		✓

* Viton is believed to be the trademark and/or trade name of The Chemours Company FC, LLC and is not owned or controlled by Regal Beloit Corporation.

ABBREVIATION

- ✓ = good resistance
- = fairly good resistance depending on use conditions
- ✗ = insufficient resistance (not recommended)
- C = concentration
- SA = saturated
- blank spaces = no tests performed

All values are only applicable to temperatures below 21°C / 70°F.



MATERIALS AND CALCULATIONS - General index **7 3 5 1 0 a** -

◀ back continue ▶

7 3 5 6 0 a Steel chain materials

7 3 5 7 6 a Storage of plastic chains and belts & RoHs

7 3 5 8 0 a Coefficient of friction - Measurement procedure

7 3 5 7 3 a Nolu®-S parts

7 3 5 7 8 a Coefficient of friction of standard materials

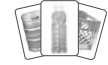
7 3 5 8 8 a Application temperatures



Chains & sprockets	Wear strips	Side guide brackets & accessories	Levelers	Engineering manual
Modular belts & sprockets	Chain & belt return systems	Frame & structure supports	Bearing supports	
Curves & tracks	Side guide solutions	Miscellaneous products	Equipment	

7 3 5 8 6 c CHEMICAL RESISTANCE OF STANDARD MATERIALS MATERIALS

Data shown in the table was taken from laboratory tests performed on unstrained samples and are merely indicative.



Chemical resistance under normal working conditions can depend on various factors, such as stress and temperature, concentration of the chemical agent and contact time. Conveyor rinsing can also be a huge factor, as a corrosive chemical that is allowed to dry and concentrate will be more problematic than one that is allowed contact for a short time and thoroughly rinsed away.

◀ back

VALID FOR AMBIENT TEMPERATURE (21°C / 70°F)

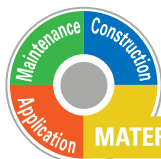
CHEMICAL AGENT	METALS				PLASTICS					RUBBERS				
	EXTRA	AISI 304	AISI 316	OT.NI	LF (POM)	NGE (PBT)	PP	PA	PE	EPDM	NBR	SEBS	VITON*	
	C%	C%	C%	C%	C%	C%	C%	C%	C%	C%	C%	C%	C%	
Sodium sulphate		100 ✓	✓	✓				✓	SA ✓	○	✓	✓	✓	
Soft drinks		✓	✓	✓	✓	✓	✓	✓	✓	✓	✓	✓	✓	
Suds		✓	✓	✓		10 ✓	✓	✓	✓	✓	✓	✓	✓	
Sulphuric acid	✗	✗	○	✓	✗	2 ✓	✓	✓	✗	80 ✓	50 ✓	✗	50 ○	95 ✓
Tartaric acid	✓	50 ✓	✓	✗	○	50 ✓	✓	✓	✓	✓	○	✓	✓	
Tetrahydrofuran			✓		○	✓	○	✓	○	✗	✗	✗	✗	
Tetralin		✗	✓		✓	✓	✗	✓	✓	✗	✗	✗	✓	
Tincture of iodine		○	✓	✗			✓	✓	✓	○	✗	○	✓	
Toluol	✓		✓			✓	✓	✓	✓	✗	✗	✗	○	
Transformer oil	✓		✓		✓	✓	○	✓	✓	✗	✓	✗	✓	
Trichloroethylene		✗	100 ✓	✓	○	✗	○	○	○	✗	✗	✗	✓	
Triethanolamin			✓			✓	✓	✓	✓	○	✗	○	✗	
Turpentine	✓	✓	✓		✗	✓	○		○	✗	✗	✗	✓	
Vaseline			✓			✓		✓	○	✗	✓	✗	✓	
Vegetable juice	✓	✓	✓		✓	✓	✓	✓	✓	✓	✓	✓	✓	
Vegetable oils	✓	✓	✓		✓	✗	✓	✓	✓	○	✓	○	✓	
Vinegar	✓	✓	100 ✓	✓	✓	10 ✓	✓	✓	✓	25 ✓	✓	○	25 ○	✗
Water and soap	✓	✓	✓		✓	✓	✓	✓	✓	✓	✓	✓	✓	
Whisky	✓	✓	✓	✓	✓	✓	✓	✓	✓	✓	✓	✓	✓	
Wine	✓	✓	✓	✓	✓	✓	✓	✓	○	✓	✓	✓	✓	
Xilol	✓	✓	✓	○	✗	✓	✗	✓	✓	✗	✗	✗	✓	

* Viton is believed to be the trademark and/or trade name of The Chemours Company FC, LLC and is not owned or controlled by Regal Beloit Corporation.

ABBREVIATION

- ✓ = good resistance
- = fairly good resistance depending on use conditions
- ✗ = insufficient resistance (not recommended)
- C = concentration
- SA = saturated
- blank spaces = no tests performed

All values are only applicable to temperatures below 21°C / 70°F.



MATERIALS AND CALCULATIONS - General index 7 3 5 1 0 a -

◀ back

7 3 5 6 0 a Steel chain materials

7 3 5 7 6 a Storage of plastic chains and belts & RoHs

7 3 5 8 0 a Coefficient of friction - Measurement procedure

7 3 5 7 3 a Nolu®-S parts

7 3 5 7 8 a Coefficient of friction of standard materials

7 3 5 8 8 a Application temperatures

Chains & sprockets	Wear strips	Side guide brackets & accessories	Levelers	Engineering manual
Modular belts & sprockets	Chain & belt return systems	Frame & structure supports	Bearing supports	
Curves & tracks	Side guide solutions	Miscellaneous products	Equipment	

7 3 5 8 8 a APPLICATION TEMPERATURES MATERIALS

For low and high temperature application please consult our Application Engineering department.

Be aware:

- If a chain, belt or other component is composed of several materials, all materials will have to be considered individually.
- Please note that the properties of a material change when the temperature changes
- In general, the impact resistance is reduced at low temperatures.
- The strength and wear resistance are reduced at elevated temperatures.
- High temperatures can also influence chemical resistance
- Some materials absorb moisture and expand/swell



MATERIAL	SYMBOL	USER FOR	MIN TEMP. °C	MAX. TEMP. °C		MIN TEMP. °F	MAX. TEMP. °F	
				DRY	WET		DRY	WET
Carbon steel	C45	Steel chains, roller chains	-70	180	not recommended	-95	350	not recommended
Ferritic stainless steel	Standard	Steel chains	-30	400	130	-20	750	265
Extra stainless steel	Extra	Steel chains	-30	400	130	-20	750	265
Extra plus stainless steel	Extra plus	Steel chains	-30	400	130	-20	750	265
Austenitic stainless steel	Austic	Steel chains, roller chains	-30	400	130	-20	750	265
Acetal resin	D,W	Plastic chains	-40	80	65	-40	175	150
Low friction acetal resin	LF (all colors)	Plastic chains and belts	-40	80	65	-40	175	150
Anti static acetal resin	AS	Plastic chains and belts	-40	80	not applicable	-40	175	not applicable
NG®evo conveyor components made from engineered plastic resin	NG®evo	Plastic chains and belts	-40	120	60	-40	250	140
Polypropylene	PP	Plastic chains and belts	5	104	104	41	220	220
Chemical resistant	CR	Plastic chains	5	104	104	41	220	220
Polyamide - PA High temperature resistance	HT	Plastic chains and belts	0	140	not applicable	30	285	not applicable
Polyphenylene sulfide Extra high temperature resistance	XT	Plastic chains and belts	-40	240	not applicable	-40	464	not applicable
Polyamide - PA Abrasion resistance	AR	Plastic chains	0	90	90	30	195	195
Thermoplastic rubber SEBS	TPR	VG chains and belts, gripper chains	-40	100	100	-40	210	210
NBR rubber	NBR	Gripper chains	-25	100	100	-15	210	210
EPDM rubber	EPDM	Gripper chains	-40	120	120	-40	250	250
EPDM-PP rubber	EPDM-PP	Gripper chains	-40	120	120	-40	250	250
Polyamide	PA	Sprockets, components	0	90	90	30	195	195
Polyamide reinforced	PA FV	Sprockets, bearing, components	0	90	90	30	195	195
Polypropylene	PP	Components	5	104	104	41	220	220
Polypropylene reinforced	PP FV	Bearing, components	5	104	104	41	220	220
Polyethylene	PE	Curves, components	-40	80	80	-40	175	175
Nolu®-S parts	Nolu®-S parts	Curves, components	-40	80	80	-40	175	175



MATERIALS AND CALCULATIONS - General index 7 3 5 1 0 a -

7 3 5 6 0 a Steel chain materials

7 3 5 7 6 a Storage of plastic chains and belts & RoHs

7 3 5 8 0 a Coefficient of friction - Measurement procedure

7 3 5 7 3 a Nolu®-S parts

7 3 5 7 8 a Coefficient of friction of standard materials

7 3 5 8 6 a Chemical resistance of standard materials

Chains & sprockets	Wear strips	Side guide brackets & accessories	Levelers	Engineering manual
Modular belts & sprockets	Chain & belt return systems	Frame & structure supports	Bearing supports	
Curves & tracks	Side guide solutions	Miscellaneous products	Equipment	

**SYSTEM
PLAST®**

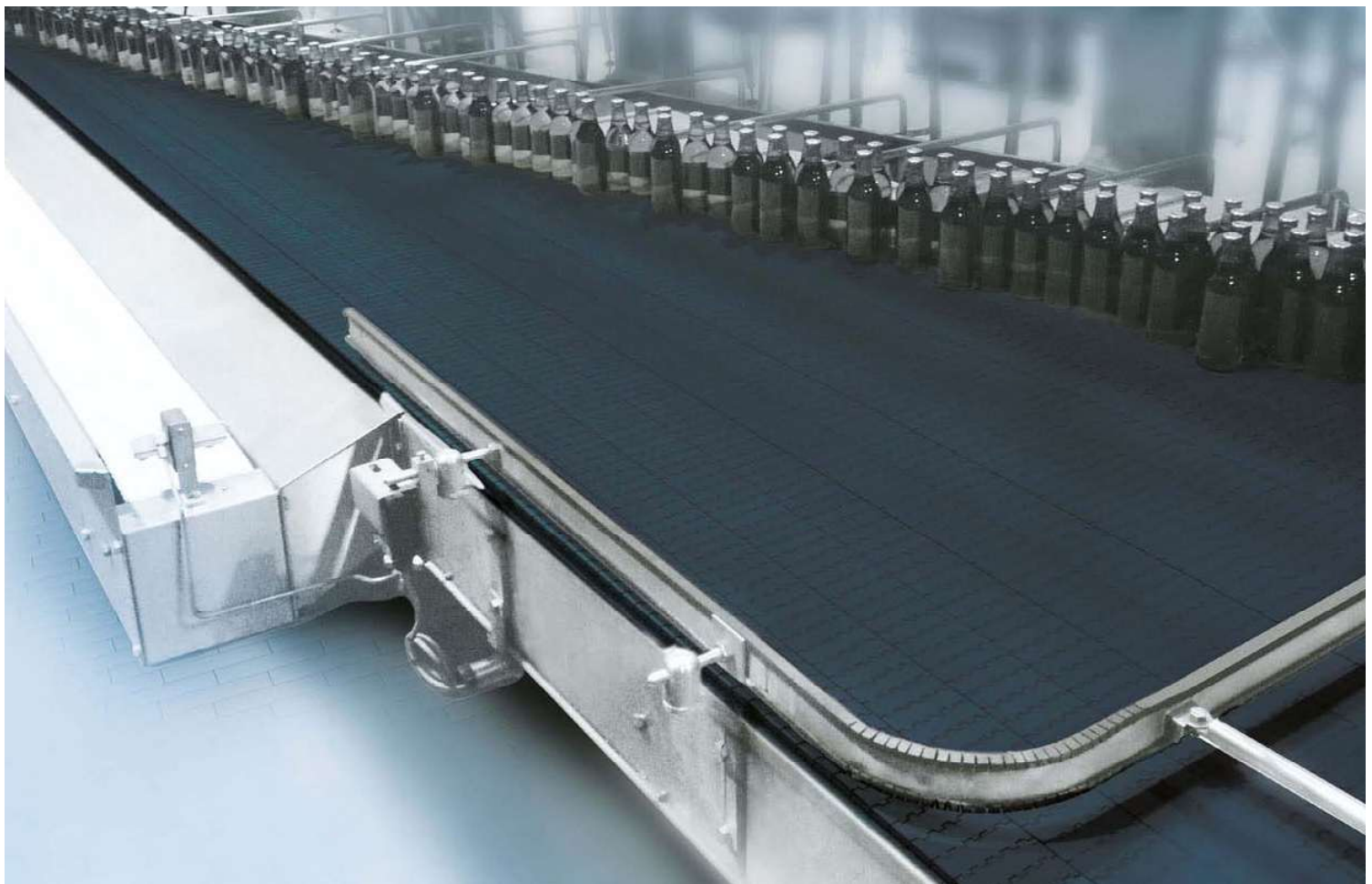


continue ▶

7 3 7 0 0 a NG® EVO CONVEYOR COMPONENTS MADE FROM ENGINEERED PLASTIC RESIN

**NG®
evo**

Plastic Chains & Modular Belts



MATERIALS AND CALCULATIONS - General index **7 3 5 1 0 a** -

continue ▶

Revision 001



Chains & sprockets	Wear strips	Side guide brackets & accessories	Levelers	Engineering manual
Modular belts & sprockets	Chain & belt return systems	Frame & structure supports	Bearing supports	
Curves & tracks	Side guide solutions	Miscellaneous products	Equipment	



7 3 7 0 1 a NG® EVO CONVEYOR COMPONENTS MADE FROM ENGINEERED PLASTIC RESIN



WHAT PLASTIC MATERIALS ARE USED IN NEW GENERATION® CONVEYOR COMPONENTS?

The System Plast® New Generation® family of chains and belts conveyor components are made of proprietary engineered resins designed to provide a sustainable advantage over “industry standard” materials. Their reduced coefficient of friction properties enable end users to reduce or eliminate their chain/belt lubrication thus providing a true “dry running” conveyor. Better sliding properties also result in reduced power consumption, increased wear life, reduced dust generation and the ability to run at higher speeds.

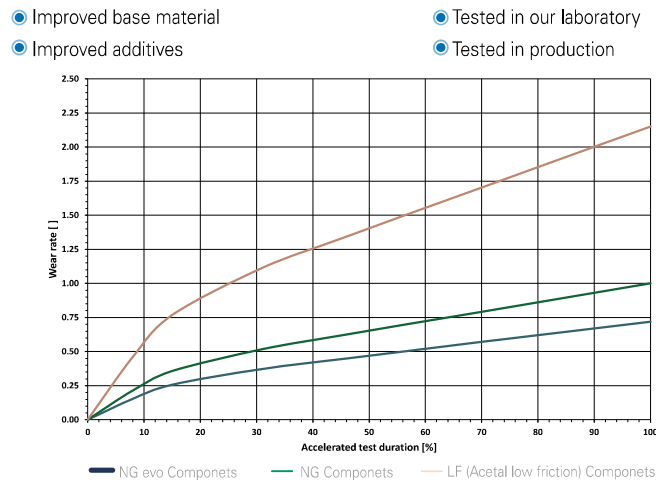
SYSTEM PLAST PRODUCTS ARE LEADING THE WAY WITH INNOVATION!

We introduced the New Generation® brand of conveyor components 20 years ago. It was soon recognized to offer new possibilities for running conveyors lines without lubrication. This enabled the reduction/elimination of soap & water or dry lubricants creating a safer work environment and cost savings. NG® conveyor components have also proven they provide longer wear life in comparison to acetal materials, and reduce noise levels in dry applications.

Regal expertise with unique materials and in-house integrated tool development is critical for consistent control over design and manufacturing processes.

MATERIAL EVOLUTION TO MEET YOUR GOALS

Understanding the growing demands on safety, hygiene, sustainability and TCO (total cost of ownership) - Regal challenged itself to improve the original formulation. This successful development created a new and improved resin used to make NG® Evolution conveyor components which helps to meet your goals. Your floors can be drier, bacteria growth can be reduced, energy and water consumption can be less and your TCO will be improved.

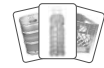


IMPROVEMENTS OF NG® EVO COMPARED TO NG® CONVEYOR COMPONENTS

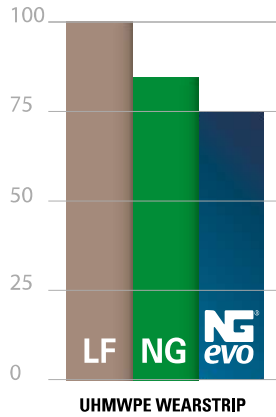
- Lower friction - Friction is reduced up to 15%.
- Higher strength - Up to 10%
- Higher abrasion resistance
- Approved for direct food contact according to EU and FDA regulations



Chains & sprockets	Wear strips	Side guide brackets & accessories	Levelers	Engineering manual
Modular belts & sprockets	Chain & belt return systems	Frame & structure supports	Bearing supports	
Curves & tracks	Side guide solutions	Miscellaneous products	Equipment	



7 3 7 0 2 a NG® EVO CONVEYOR COMPONENTS MADE FROM ENGINEERED PLASTIC RESIN



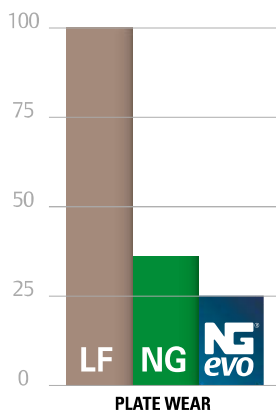
LOWEST COEFFICIENT OF FRICTION BETWEEN CHAIN /BELT AND WEARSTRIP

Coefficient of friction NG® evo conveyor components on UHMWPE wearstrip:

- 25% lower than LF acetal chain
- 15% lower than NG chain

Coefficient of friction values of 0,10 or even less are achievable in running dry applications

- Less power consumption
- Improved product stability
- Improved product flow
- Improved productivity



HIGHEST PLATE WEAR RESISTANCE

Plate wear in accelerated abrasion test after 5400 km run length

- 75% less wear than LF acetal chain
- 30% less wear than NG chain

Increased wear provides many advantages

- Less dust generation
- Reduced contamination
- Reduced cleaning requirements

NG® EVO CONVEYOR COMPONENTS ARE APPROVED FOR DIRECT FOOD CONTACT ACCORDING TO EU AND FDA REGULATIONS

NOISE REDUCTION:

With NG evo components the risk of noisy chains is greatly reduced compared to LF acetal chains. Squealing curves can be resolved and improve the work environment.

HIGH PV (PRESSURE VELOCITY) LIMIT:

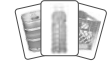
With NG evo conveyor components, higher speeds and higher loads are achievable in dry running lines compared to LF Acetal chains. Additional speed and wear advantages can be also gained when used in combination with NOLU®-S or NOLU-SR curves.

CHEMICAL RESISTANCE:

NG evo conveyor components have a better chemical resistance than LF acetal materials, being compatible with most cleaning agents, especially in aseptic filling with the presence of H₂O₂ (hydrogen peroxide). The material in NG evo components, unlike many other materials used in the same application, do not get attacked by this chemical.



Chains & sprockets	Wear strips	Side guide brackets & accessories	Levelers	Engineering manual
Modular belts & sprockets	Chain & belt return systems	Frame & structure supports	Bearing supports	
Curves & tracks	Side guide solutions	Miscellaneous products	Equipment	



◀ back continue ▶

ENHANCED RUNNING DRY POSSIBILITIES WITH NG® EVO CONVEYOR COMPONENTS:

Contact Regal for assistance to help you achieve this goal.
An overview of the process is shown below :

STEP 1: GOAL TO RUN DRY

- Save water / lubricant consumption
- Eliminate wet floors • safety
- Less bacteria growth • hygiene
- Reduce maintenance
- Reduce energy consumption

STEP 2: DEFINE PROCESS PARAMETERS

- Layout
- Production / hour • speeds
- Geometry bottle, can, etc.

STEP 3: DEVELOP A ROBUST PROCESS

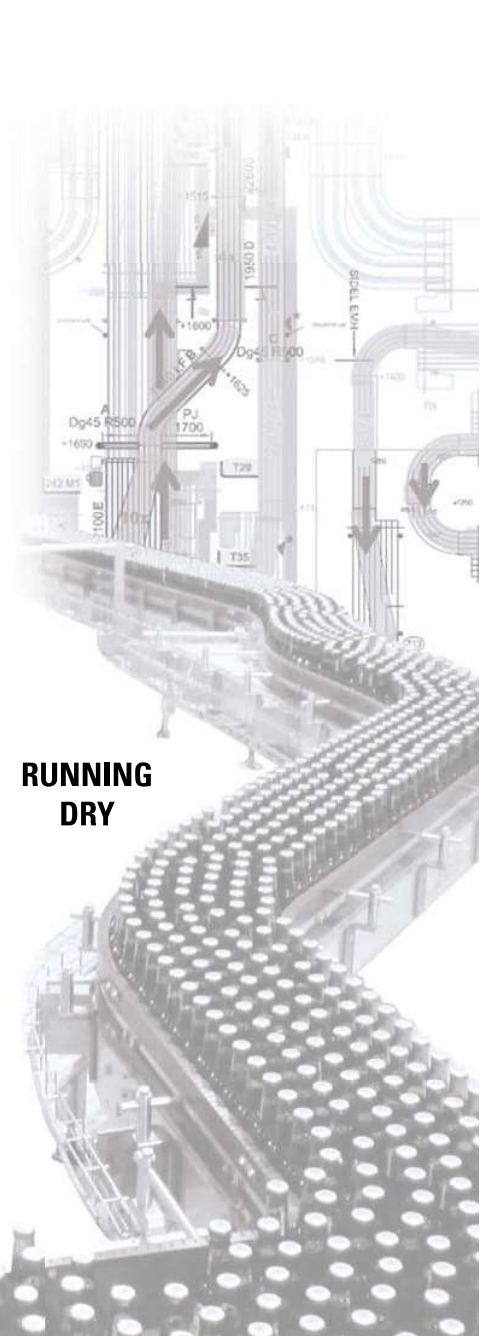
- Analyze the data from the previous step
- Discuss requirements and conditions with OEM and End user
- Select the correct products

STEP 4: IMPLEMENT DRY RUNNING

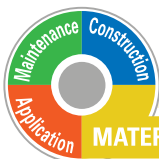
- Advise during installation
- Train operators

STEP 5: CONTROL AND IMPROVE PROCESS

- Monitor, follow up and make changes if necessary
- Analyze the collected data



RUNNING DRY



◀ back continue ▶

Chains & sprockets	Wear strips	Side guide brackets & accessories	Levelers	Engineering manual
Modular belts & sprockets	Chain & belt return systems	Frame & structure supports	Bearing supports	
Curves & tracks	Side guide solutions	Miscellaneous products	Equipment	



A SUCCESS STORY OF NG® CONVEYOR COMPONENTS



◀ back



DRY RUNNING SYSTEM PLAST® CONVEYOR COMPONENTS HELP HEINEKEN BREW A BETTER FUTURE WITH WATERLESS BOTTLING CONVEYORS IN ZOETERWOUE PLANT

THE TWO WATER FOOTPRINT NETWORK PARTNERS TEAM UP TO IMPROVE PLANT SAFETY AND SUSTAINABILITY BY REDUCING WATER USE, ENERGY CONSUMPTION, AND SOUND LEVELS AT ZOETERWOUE BREWERY.

Zoeterwoude, Netherlands 2014 - Heineken* N.V.'s global sustainability strategy, known as "Brewing a Better Future," produced a company-wide reduction of 20 percent in water use between 2008 and 2013. Playing a role in that improvement are System Plast NG® conveyor chain/belts and NOLU®-S wear track from System Plast S.r.l., a subsidiary of Regal Beloit Corporation (referred to from here on as "Regal"). The ultra-low-friction components, which are being deployed in phases at Heineken's Zoeterwoude brewery, eliminate the need for water and chemical-based lubrication on the filling lines - including those where abrasive particles from aluminum cans, party kegs and returnable glass bottles have been a problem in the past.

According to managers at the brewery, the dry running conveyor is producing a cascade of sustainability improvements with a cleaner, quieter, more energy-efficient and reliable plant. "We have experienced a wide variety of gains from the System Plast dry running conveyor," said Mr. Cok Duivenvoorden, Technical Line Manager at Zoeterwoude. "Specifically, we have improved plant safety and hygiene with dry equipment and floors. Maintenance is easier because of the cleanliness and better access where drip trays have been removed. We have reduced costs for water, lubricating chemicals and wastewater discharge. Dry operation is easier on conveyor bearings and frames, yet still reduces energy consumption because of the low-friction components. System Plast NG chain lasts up to five times longer than

low-friction acetal in some of our applications. And when installed to replace worn-out conveyor, the new chain pays for itself in as little as a year."

A JOINT GOAL TO REDUCE WATER USE IN BEVERAGE PROCESSING

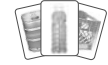
One goal of Heineken's "Brewing a Better Future" sustainability program is to reduce water consumption by at least 25% by 2020, and both Heineken and Regal are pursuing dry conveying solutions as members of the Water Footprint Network. The network is a global organization of businesses, governmental agencies and environmental groups that promotes the transition to sustainable use of fresh water resources through increased awareness of how production and consumption of goods affect fresh water systems.



*Heineken is believed to be a trademark and/or trade name of Heineken Brouwerijen B.V. and is not owned or controlled by Regal Beloit Corporation.

◀ back

Chains & sprockets	Wear strips	Side guide brackets & accessories	Levelers	Engineering manual
Modular belts & sprockets	Chain & belt return systems	Frame & structure supports	Bearing supports	
Curves & tracks	Side guide solutions	Miscellaneous products	Equipment	



7 3 9 9 5 a APPLICATION CONSIDERATIONS

The proper selection and application of power transmission products and components, including the related area of product safety, is the responsibility of the customer. Operating and performance requirements and potential associated issues will vary appreciably depending upon the use and application of such products and components. The scope of the technical and application information included in this publication is necessarily limited. Unusual operating environments and conditions, lubrication requirements, loading supports, and other factors can materially affect the application and operating results of the products and components and the customer should carefully review its requirements. Any technical advice or review furnished by Regal Beloit America, Inc. and its affiliates with respect to the use of products and components is given in good faith and without charge, and Regal assumes no obligation or liability for the advice given, or results obtained, all such advice and review being given and accepted at customer's risk.

For a copy of our Standard Terms and Conditions of Sale, Disclaimers of Warranty, Limitation of Liability and Remedy, please contact Customer Service.

These terms and conditions of sale, disclaimers and limitations of liability apply to any person who may buy, acquire or use a Regal Beloit America Inc. product referred to herein, including any person who buys from a licensed distributor of these branded products.

INSPECTION AND MAINTENANCE 73010a

72110a CONSTRUCTION DETAILS

APPLICATIONS 72510a

73510a MATERIALS AND CALCULATIONS



Chains & sprockets	Wear strips	Side guide brackets & accessories	Levelers	Engineering manual
Modular belts & sprockets	Chain & belt return systems	Frame & structure supports	Bearing supports	
Curves & tracks	Side guide solutions	Miscellaneous products	Equipment	

Item description	Page code	Item description	Page code	Item description	Page code	Item description	Page code
1400..D	11590a	820..WL	11050a	BKR-77W43P..	53535a	CL-RD8-PD..	51650a
1400..R	11590a	820..WML	11050b	BKR-77W43S..	53535a	CL-RD8-PF	51650a
1400V..R	11600a	820..WMS	11050b	BKR-84W31LP..	53525b	CON..	50600a
1700..D	11550a	820..WS	11050a	BKR-85W44P..	53545b	CON-H7816M-S	51690a
1700..DMS	11550a	821..D	11320b	BKR-87W31LP..	53525b	CON-H8716M-S	51700a
1700..RB	11560a	821..R	11320b	BKR-88W43P..	53535b	CRBFTRS..	56044a
1700..RC	11560a	821..W	11320b	BKR-93W43LP..	53535b	CRBFTRS..	56074a
1700..RM	11550a	821..WMS	11320b	BKZ-154-SS	53580a	CS..	56100a
1700..RMS	11550a	878..D	11270a	BPS-4020..	54040a	CSHOE..	50600a
1874..	11140a	878..RB	11270a	CAP-10M..	53605a	DS-25M52	54520a
1874..	11450a	878..RC	11270a	CAP-25M..	54530a	DS-30M52	54520a
2080..DM	30027a	880..DMS	11260a	CAP-30M..	54530a	DTS..	53600a
2080..DMS	30027a	880..DS	11260a	CAP7023-P-YT	56300b	F-100..	51090a
2120..	30160a	880..RMS	11260a	CAP7023-B30M..	56300b	F-26..	51090a
2120..DS-PK2	30160c	880..RS	11260a	CAP8437-P-YT	56300b	F-50..	51090a
2122..	30166a	880T..W	11260d	CAP-8437-B40M..	56300b	F-60..	51090a
2124..	30165a	880T..WMS	11260d	CAP-50M..	54530a	F-70..	51090a
2190..	30235a	881..DMS	11090a	CC-16..	53610a	F-90..	51090a
2250..	30395a	881..DS	11090a	CC-19-12MK-12MK	53620a	FT-HDL..	54560a
2251..	30550a	881..RMS	11090a	CC-20..	53620a	FT-LOCK..	54570a
2256..	30740a	881..RS	11090a	CC-25-12MK..	53620a	FT-MAG..	54570a
2256ST..	30740b	881T..W	11090b	CC-25-14M..	53615a	GRSHOE-S330	50600b
2260..	30715a	881T..WMS	11090b	CC-25-15M..	53615a	GNP..	56300a
2260..DS-PK2	30715b	882..DMS	11300a	CC-25-16M..	53615a	GP..	54540a
2351..	30760a	882..DS	11300a	CC-25-18M..	53615a	GRINGK..	11090d
2500..	30615a	882..RMS	11300a	CC-25-20M..	53615a	GRP.EPDM	11440b
2502..	30618a	882..RS	11300a	CC-42-12MK..	53620a	GRP.NBR	11440a
2508..	30640a	882T..W	11300b	CC-42-12MQ..	53630a	GRPK.NBR	11440a
2630..	30650a	BCK..	50600a	CC-52-R..	53650a	GRPN..NBR	11430a
500..	56300b	BEC-19	56044a	CC-52-S..	53645a	GRSHOE-S330	50600b
515..DMS	11130a	BEC-24	56074a	CJ..	54520a	HDL-117..	54560a
515..RMS	11130a	BEO-19	56044a	CL..	56090a	HDL-120..	54560a
600..RM	11580a	BEO-24	56074a	CL-1020S	52550a	HDL-94..	54560a
800..DMS	11120a	BK-47W44..	53545b	CL-1540S	52530a	HNG..	54550a
800..DMS-F	11120b	BK-49W31L	53525b	CL-6065X38	50600a	HUB110..	11270a
800..DMS-FSS	11120b	BK-50W43	53535b	CL-CON-P..	51600a	ICOF-CAN	57080a
800..RMS	11120a	BK-55W43L	53535b	CL-CON-P25..	51630a	ICOF-GLASS	57080a
800..WMS	11120b	BKE-85W22..	53555a	CL-CON-PD..	51610a	ICOF-PET	57080a
800..FSS	11120b	BKF-35W31L..	53555a	CL-CON-R	51820a	ICOF-SLIDER-CAN	57080a
815..D	11040a	BKF-61W38..	53560a	CL-D..	51660a	ICOF-SLIDER-GLASS	57080a
815..DMS	11040b	BKF-65W30L..	53555a	CL-H45S	52521a	ICOF-SLIDER-PET	57080a
815..DMS-F	11090d	BKF-66W31L..	53515a	CL-H5210..	52594a	IND-142B..	53635a
815..DS	11040a	BKF-66W31L..	53515b	CL-H7816M..	51690a	IND-350R..	53635a
815..FSS	11090d	BKF-79W30..	53555a	CL-H8716M..	51700a	MODFLEX...A90R	57035a
815..RMS	11040b	BKF-89W38..	53560a	CL-H9014M..	51680a	MODFLEX...A180R	57055a
8157..DMS	11100a	BKL..SS	53580a	CL-RD10-P..	51640a	MODFLEX...A90L	57040a
8157..DMS-F	11100b	BKR-67W44P..	53545b	CL-RD10-P258M	51650a	MODFLEX...A180L	57060a
8157..FSS	11100b	BKR-69W31LP..	53525a	CL-RD10-PD..	51650a	MODFLEX...A90R-TM	57045a
820..D	11200a	BKR-69W31LP..	53525b	CL-RD12-P..	51640a	MODFLEX...A180R-TM	57065a
820..DM	11200b	BKR-69W31LS..	53525a	CL-RD12-P258M	51650a	MODFLEX...A90L-TM	57050a
820..DMS	11200a	BKR-69W44P..	53545a	CL-RD12-PD..	51650a	MODFLEX...A180L-TM	57070a
820..DS	11200a	BKR-69W44S..	53545a	CL-RD14-P..	51640a	MODSORT-AI2..	57015a
820..RM	11200b	BKR-70W43P..	53535b	CL-RD14-P258M	51650a	MODSORT-MSGK...	57020a
820..RMS	11200b	BKR-72W43P..	53535a	CL-RD20-P..	51640a	MODSORT-MPES..	57020a
820..RS	11200b	BKR-72W43S..	53535a	CL-RD8-P..	51640a	MODSORT-MPEK	57020a
820..W	11050a	BKR-75W43LP..	53535b	CL-RD8-P258M	51650a	MODSORT-MPS...	57020a

Legend

Codes ending with .. indicate a group of item descriptions all starting with the code listed. Example: 2122.. (all item descriptions starting with 2122).
 Codes with .. in the middle indicate a group of item descriptions starting and ending with the codes listed. Example 2251..RS (all item descriptions starting with 2251 and ending with RS). **Information about item descriptions, printed in blue, is only available on our website: www.SystemPlastSmartGuide.com**

Chains & sprockets	Wear strips	Side guide brackets & accessories	Levelers	Engineering manual
Modular belts & sprockets	Chain & belt return systems	Frame & structure supports	Bearing supports	
Curves & tracks	Side guide solutions	Miscellaneous products	Equipment	

Item description	Page code	Item description	Page code	Item description	Page code	Item description	Page code
KMD01..	50050a	KNF-50H56..	54600a	LF879TAB..	11230a	LFG2251FT-P.VG-3	30490c
KMD02..	50050a	KNF-53H45..	54600a	LF880..	11240a	LFG2251FT-PT.VG	30490d
KMD03..	50020a	KNF-80H51..	54600a	LF8800P..	11240b	LFG2251FT-PT.VG-2	30490d
KMD04..	50020a	KNM-20H13..	54610a	LF880M..	11220a	LFG2251FT-PT.VG-3	30490d
KMD05..	50050a	KNM-25H16..	54610a	LF880TAB..	11230a	LFG2251FT-PT.VGS	30495d
KMD06..	50020a	KNM-30H21..	54610a	LF882M..	11280a	LFG2251FT-PT.VGS-2	30495d
KMD07..	50020a	KNM-40H26..	54610a	LF882TAB..	11290a	LFG2251FT-PT.VGS-3	30495d
KMD08..	50020a	KNM-50H32..	54610a	LFB2080FT..	30025a	LFG2251FT-TAB..	30710a
KMD09..	50020a	KNM-50H40..	54600a	LFB2120FG..	30070a	LFG2251LBP..	30500a
KMD10..	50020a	LA100..	55585a	LFB2120FT..	30050a	LFG2252PT..	30481a
KMD11..	50030a	LA100..	55825a	LFB2250FG..	30360a	LFG2253FT..	30330a
KMD12..	50030a	LA100-SH..	55810a	LFB2250FT..	30325a	LFG2260FT-M..	30700a
KMD21..	50040a	LA110..	55600a	LFB2253FT..	30330a	LFG2351..	30745a
KMD22..	50040a	LA120E-02B..	55645a	LFB2253RT..	57015a	LFG2351..VG	30755a
KMD23..	50040a	LA123H-02B..	55645a	LFB2253RTC..	30398a	LFG2451TAB..	30750a
KMD24..	50080a	LA40..	55525a	LFB2256..	30730a	LFG2508FTS..	30620a
KMD25..	50080a	LA50..	55540a	LFB2256..VG	30735a	LFG2551..	30745a
KMD26..	50080a	LA60..	55555a	LFG1700	11530a	LFG2630FTS..	30645a
KMD27..	50080a	LA60-01..	55630a	LFG1702	11530a	LFG2651TAB..	30750a
KMD28..	50080a	LA60H-01..	55630a	LFG1710..	11540a	LFG-COMB2500..	30615a
KMD31..	50040a	LA60S-01..	55630a	LFG1710-CTAB..	11540a	LFM30..	55750a
KMD32..	50040a	LA80..	55570a	LFG2120FG..	30070a	LFM40..	55750a
KMD33..	50040a	LA80H..	55570a	LFG2120FT..	30050a	LFM50..	55750a
KMD37..	50040a	LA80S..	55780a	LFG2120FT-PT..	30060b	NGE1400V..TAB	11600a
KMD39..	50060a	LAF100SH-01..	55630a	LFG2120FT-PT.VG-2	30100d	LFW1400..	11590a
KMD40..	50060a	LAF123H..	55840a	LFG2120FT-PT.VG-3	30100d	LFW1400V..TAB	11600a
KMD41..	50060a	LAF123H-02B..	55660a	LFG2120FT-PT2..	30060b	LFW1431..	11590a
KMD42..	50060a	LAS100..	55615a	LFG2250FG..	30360a	LFW1700	11530a
KMD48..	50060a	LAS120..	55615a	LFG2260FG-M..	30700a	LFW1701-TAB	11530a
KMD52..	50060a	LAS80..	55615a	LFG2250FG-PT..	30360c	LFW1702	11530a
KMD61..	50050a	LAX100..	55810a	LFG2250FG-PT2..	30360c	LFW1710..	11540a
KMD62..	50050a	LAX102..	55795a	LFG2250FT..	30325a	LFW1710-CTAB..	11540a
KMD64..	50101a	LAX123..	55840a	LFG2250FT..VG	30370a	LFW600..	11570a
KMD66..	50101a	LAX123-02B..	55660a	LFG2250FT..VG-2	30370b	LFW600F	11580a
KMD68..	50070a	LB100	55735a	LFG2250FT..VG-3	30370b	LFW631 TAB	11580a
KMD71..	50070a	LB150	55735a	LFG2250FT..VGS	30380a	LMM120..	55720a
KMD78..	50070a	LB200	55735a	LFG2250FT..VGS-2	30380b	LMM80..	55720a
KMD82..	50070a	LB80	55735a	LFG2250FT..VGS-3	30380b	LMP125..	55705a
KMD84..	50101a	LF1700	11530a	LFG2250FT-K330	30310a	LMP80..	55705a
KMD85..	50101a	LF1701-TAB	11530a	LFG2250FT-PT..	30335b	LMPH123..	55735a
KMD86..	50101a	LF1702	11530a	LFG2250FT-PT..VG	30370d	LSHOE-S330	50600b
KMD87..	50101a	LF1843 SS TAB..	11470a	LFG2250FT-PT..VG-2	30370d	LSS100..	55675a
KMD88..	50101a	LF1843 TAB..	11470a	LFG2250FT-PT..VG-3	30370d	LSS125..	55675a
KMD90..	50091a	LF820..	11190a	LFG2250FT-PT2..	30335b	LSS50..	55675a
KMD91..	50091a	LF820P..	11190a	LFG2250FT-PT-K330	30310a	LSS75..	55675a
KMD92..	50091a	LF821..	11320a	LFG2250FT-TAB..	30710a	LSSC100..	55690a
KMD93..	50091a	LF8257..	11310a	LFG2251FT..	30440a	LSSC125..	55690a
KMD96..	50091a	LF828..	11210a	LFG2251FT..VG	30490a	LSSC75..	55690a
KMD97..	50101a	LF831..	11190a	LFG2251FT..VG-2	30490b	SNB2080..	30029a
KNF-30H21..	54610a	LF843..	11460a	LFG2251FT..VG-3	30490b	NB2120..	30175a
KNF-40H26..	54610a	LF845..	11460a	LFG2251FT..VGS	30495a	SNB2120..	30175a
KNF-50H32..	54610a	LF877TAB..	11230a	LFG2251FT..VGS-2	30495b	NGD1873TAB..VG	11420a
KNF-50H39..	54600a	LF878TAB..	11230a	LFG2251FT..VGS-3	30495b	NGE1400..	11590a
KNF-50H40..	54600a	LF879..	11240a	LFG2251FT-M..	30700a	NGE1431..	11590a
KNF-50H41..	54600a	LF8790P..	11240b	LFG2251FT-P.VG	30490c	NGE1700	11530a
		LF879M..	11220a	LFG2251FT-P.VG-2	30490c	NGE1701-TAB	11530a

Legend

Codes ending with .. indicate a group of item descriptions all starting with the code listed. Example: 2122.. (all item descriptions starting with 2122).

Codes with .. in the middle indicate a group of item descriptions starting and ending with the codes listed. Example 2251..RS (all item descriptions starting with 2251 and ending with RS). **Information about item descriptions, printed in blue, is only available on our website: www.SystemPlastSmartGuide.com**

Chains & sprockets	Wear strips	Side guide brackets & accessories	Levelers	Engineering manual
Modular belts & sprockets	Chain & belt return systems	Frame & structure supports	Bearing supports	
Curves & tracks	Side guide solutions	Miscellaneous products	Equipment	

Item description	Page code	Item description	Page code	Item description	Page code	Item description	Page code
NGE1702	11530a	NGE2250FG-P2..	30360b	NGE880..	11240a	R-60..83-PEG	51080a
NGE1863 TAB..	11490a	NGE2250FG-P-K330	30340a	NGE8800..	11240b	R-60..85-PEB-S	51110a
NGE1863SS TAB..	11490a	NGE2250FG-PT..	30360c	NGE8800P..	11240b	R-60..85-PEG	51080a
NGE1873SS TAB..	11470a	NGE2250FG-PT..T	30350a	NGE880M..	11220a	R-9B4..	52680a
NGE1873SS TAB..GS	11440b	NGE2250FG-PT2..	30360c	NGE880TAB..	11230a	RF-11B4..	52680a
NGE1873SS TAB..GS..	11440a	NGE2250FT..	30325a	NGE880TAB..VAC43X2	11235a	RF-17B6..	52680a
NGE1873SS TAB..VG	11420a	NGE2250FT-K330	30310a	NGE882LBP TAB..	11360a	RF-21B6..	52680a
NGE1873SS TAB..VG85QH8.5	11425a	NGE2250FT-P..	30335a	NGE882LBP..	11360a	RF-24B6..	52680a
NGE1873TAB..	11470a	NGE2250FT-P2..	30335a	NGE882M..	11280a	RF-40..86-PEG	51080a
NGE1873TAB..GS	11440b	NGE2250FT-PT..	30335b	NGE882M..VG	11400a	RF-41..B	51020a
NGE1873TAB..GS..	11440a	NGE2250FT-PT..T	30320a	NGE882TAB..	11290a	RF-41..G	51060a
NGE1873TAB..VG	11420a	NGE2250FT-PT2..	30335b	NGE882TAB..VG	11400a	RF-47..G	51030a
NGE2080FT..	30025a	NGE2250FT-PT-K330	30310a	NGE-S-K38..	11330a	RF-50..28-PEG	51040a
NGE2120FG..	30070a	NGE2250FT-PT-K330T	30320a	PAB-COMB2500..	30615a	RF-50..43-PEG	51050a
NGE2120FG-P..	30075a	NGE2250FT-TAB..	30710a	PC-125110..	53640a	RF-50..86-PEG	51080a
NGE2120FG-P2..	30075a	NGE2251FT..	30440a	PC-25..	53610a	RF-50..B	51030a
NGE2120FG-PT..	30075b	NGE2251FT-K330	30420a	PC-25T..	54530a	RF-60..43-PEG	51050a
NGE2120FG-PT2..	30075b	NGE2251FT-M..	30700a	PC-30T..	54530a	RF-60..86-PEG	51080a
NGE2120FT..	30030a	NGE2251FT-PT..	30450b	PC-9075..	53635a	RF-60..G	51030a
NGE2120FT..	30050a	NGE2251FT-PT..T	30430a	PC-KIT	53640a	RG-105H..	52570a
NGE2120FT..GB	30120a	NGE2251FT-PT..TL	30430a	PC-KIT-0M	53605a	RG-105H49..3000A	52572a
NGE2120FT..GB-2	30120b	NGE2251FT-PT-K330	30420a	PC-KIT-19M	53605a	RG-105H49..3000S	52571a
NGE2120FT..GB-3	30120b	NGE2251FT-TAB..	30710a	PCO-H7816M-B	51690a	RG-105H49..348	52590a
NGE2120FT..VG50	30100a	NGE2251LBP..	30500a	PCO-H8716M-B	51700a	RG-105H52..3000S	52594a
NGE2120FT..VG50-2	30100b	NGE2251LBP-P..	30500b	PCO-H9014M-G	51680a	RG-105H81..3000A	52572a
NGE2120FT..VG50-3	30100b	NGE2252FT..	30445a	P-D..	51830a	RG-105H81..3000S	52571a
NGE2120FT..VGS50	30105a	NGE2252FT..	30420a	PE..	51830a	RG-165..	52520a
NGE2120FT-P..	30060a	NGE2252FT-PT..	30420a	PEN-H7816M-B	51690a	RG-210H50..	52570a
NGE2120FT-P..VG50	30100c	NGE2253FT..VAC43	30398n	PEN-H8716M-B	51700a	RG-210H50..3000A	52572a
NGE2120FT-P2..	30060a	NGE2260FT-M..	30700a	PEN-H9014M-G	51680a	RG-210H50..3000S	52571a
NGE2120FT-PT..	30030b	NGE600..	11570a	PF..	51830a	RG-240..	52521a
NGE2120FT-PT..	30060b	NGE820..	11190a	PG..	51830a	RG-240H45..3000S	52530a
NGE2120FT-PT..T	30045a	NGE820P..	11190a	PK-D12M110	51830a	RG-86H..	52570a
NGE2120FT-PT..VG50	30100d	NGE821..	11320a	PM10..	51830a	RG-86H49..3000A	52572a
NGE2120FT-PT2..	30060b	NGE821..VG	11410a	PMB..	54530a	RG-86H49..3000S	52571a
NGE2120LBP..	30110a	NGE821LBP..	11370a	PP1873SS TAB..GS..	11440b	RG-86H49..348	52590a
NGE2120M..	30720a	NGE8257..	11310a	PPW2502DT..	30617a	RG-86H81..3000A	52572a
NGE2121FT..	30030a	NGE8257..VG	11410a	PP878TAB..GS..	11430b	RG-86H81..3000S	52571a
NGE2121FT..	30055a	NGE8257LBP..	11370a	PPG2500RR..	30610a	RG-86H81..3000S	52571a
NGE2121FT-PT..	30030b	NGE828..	11210a	R-26..B	51020a	RG..	52550a
NGE2122FG..	30073a	NGE831..	11190a	R-26..G	51060a	RGC18-86H49..	52592a
NGE2124FT..	30030a	NGE831..VG	11380a	R-40..83-PEB-S	51110a	RGC20-105H49..	52592a
NGE2124FT..VG	30090a	NGE831LBP..	11340a	R-40..83-PEG	51080a	RGC32-86H49..	52593a
NGE2124FT-PT..	30030b	NGE863..	11460a	R-40..85-PEG	51080a	RGC33-105H49..	52593a
NGE2124FT-PT..VG	30090a	NGE877TAB..	11230a	R-41..B	51020a	RH-45..	54620a
NGE2190FG..	30230a	NGE878LBP..	11350a	R-41..G	51060a	RH-65..	54620a
NGE2190FG..	30220a	NGE878TAB..	11230a	R-49..G	51040a	RH-80..	54620a
NGE2190FG-PT..	30220a	NGE878TAB..GS..	11430b	R-50..27-PEG	51040a	RPAD10004	55810a
NGE2190FT..	30210a	NGE878TAB..GS..	11430a	R-50..41-PEG	51050a	RPAD10108	55600a
NGE2190FT..	30200a	NGE878TAB..VG	11390a	R-50..43-PEG	51050a	RPAD11207	55615a
NGE2190FT-PT..	30200a	NGE879..	11240a	R-50..83-PEB-S	51110a	RPAD11207	55645a
NGE2190FT-PT..T	30215a	NGE879LBP TAB..	11350a	R-50..83-PEG	51080a	RPAD12208	55660a
NGE2250FG..	30360a	NGE879M..	11220a	R-50..85-PEB-S	51110a	RPAD12208	55645a
NGE2250FG-K330	30340a	NGE879M..VG	11380a	R-50..85-PEG	51080a	RPAD12208	55840a
NGE2260FG-M..	30700a	NGE879TAB..	11230a	R-60..41-PEG	51050a	RPAD12506	55705a
NGE2250FG-P..	30360b	NGE879TAB..VG	11390a	R-60..83-PEB-S	51110a	RPAD12506	55720a

Legend

Codes ending with .. indicate a group of item descriptions all starting with the code listed. Example: 2122.. (all item descriptions starting with 2122).

Codes with .. in the middle indicate a group of item descriptions starting and ending with the codes listed. Example 2251..RS (all item descriptions starting with 2251 and ending with RS). **Information about item descriptions, printed in blue, is only available on our website: www.SystemPlastSmartGuide.com**

Chains & sprockets	Wear strips	Side guide brackets & accessories	Levelers	Engineering manual
Modular belts & sprockets	Chain & belt return systems	Frame & structure supports	Bearing supports	
Curves & tracks	Side guide solutions	Miscellaneous products	Equipment	

Item description	Page code	Item description	Page code	Item description	Page code	Item description	Page code
RPAD3206	55525a	SP-10944T15	53545a	TCHD-R150-R150-S	54080a	TTM87..	50101a
RPAD4206	55540a	SP-11253T15	53545a	TC-R150-S	54080a	TTM90..	50091a
RPAD5207	55630a	SP-7550..	53515a	TEE..	54080a	TTM91..	50091a
RPAD5306	55555a	SP-R36T..	53535a	TEE-3815-BM10	54080a	TTM92..	50091a
RPAD7207	55615a	SPSL815..	11020a	TEE-4415-BM10	54080a	TTM93..	50091a
RPAD7207	55570a	SPSL881MO..	11060a	TEE-4815-BM10	54080a	TTM96..	50091a
RPAD8006	55705a	SPT-10..	51160a	TE-R..	55765a	TTM97..	50101a
RPAD8006	55720a	SPT-11L..	51130a	TE-S..	55765a	TTMK..	50565a
RPAD9308	55585a	SPT-15..	51150a	TME..	52670a	TUBE-R10S-6000	53605a
RPAD9308	55795a	SPT-16..	51160a	TME-K..	52671a	TWP-S4030..	55765c
RPAD9308	55615a	SPT-2..	51130a	TOP-20P	53585a	UC..	56300a
RPAD9308	55825a	SPT-4..	51130a	TOP-23P..	53585a	UCFB..	56140a
RR-47..83-PEB-S	51110a	SPT-4..	51160a	TOP-23S..	53585a	UCFG..	56080a
RR-47..83-PEG	51080a	SPT-84..	51120a	TOP-24P..	53585a	UCFH..	56020a
RR-47..85-PEB-S	51110a	SPT-84..	51160a	TOP-24S..	53585a	UCFH..	56030a
RR-47..85-PEG	51080a	SQL..	56130a	TOP-25S..	53585a	UCFH..	56042a
RR-57..27-PEG	51040a	SR800..	11120a	TOP-40P..	53585a	UCFH..ME..	56040a
RR-57..41-PEG	51050a	SS802..	11120a	TOP-40S..	53585a	UCFHXX..	56042a
RR-57..43-PEG	51050a	SS812..	11030a	TOP-60S..	53585a	UCFL..	56020a
RR-57..83-PEB-S	51110a	SS881M..	11060a	TOP-90S..	53585a	UCFL..ME..	56040a
RR-57..83-PEG	51080a	SS881MO..	11060a	TTM01..	50050a	UFLX..	56020a
RR-57..85-PEB-S	51110a	SSA805..	11120a	TTM02..	50050a	UFLQ..	56072a
RR-57..85-PEG	51080a	SSA815..	11030b	TTM03..	50020a	UFLZ..ME..	56040a
RR-67..41-PEG	51050a	SSA8810..	11080a	TTM04..	50050a	VG-009M-01	51630a
RR-67..83-PEB-S	51110a	SSA8810TAB..	11070a	TTM05..	50030a	VG-011..	51620a
RR-67..83-PEG	51080a	SSE515..	11130a	TTM06..	50020a	VG-012-01	51620a
RR-67..85-PEB-S	51110a	SSE805..	11120a	TTM07..	50020a	VG-013..	51620a
RR-67..85-PEG	51080a	SSE805..VG	11180a	TTM08..	50020a	VG-016-02	51630a
RRF-40..86-PEG	51080a	SSE815..	11030a	TTM09..	50020a	VG-018M..	51630a
RRF-50..86-PEG	51080a	SSE8157..	11100a	TTM10..	50020a	VG-022-01	51630a
RRF-57..28-PEG	51040a	SSE8157..VG	11180a	TTM11..	50030a	VG-113SM-08G	51820a
RRF-57..43-PEG	51050a	SSE8157TAB..VG	11180a	TTM12..	50030a	VG-1568M..	52611a
RRF-60..86-PEG	51080a	SSE8810..	11080a	TTM21..	50040a	VG-213..	53565a
RRF-67..43-PEG	51050a	SSE881..VG	11170a	TTM22..	50040a	VG-213R-TOP..	53590a
RSHOE-S330	50600b	SSE881M..	11060a	TTM23..	50040a	VG-222JO..	51810a
S800..	11030b	SSE881MO..	11060a	TTM31..	50040a	VG-223R..	53565a
S815..	11030b	SSE881MO..	11160a	TTM32..	50040a	VG-223R-TOP..	53590a
SCREW21M5-SS	30615a	SSE8810..	11080a	TTM33..	50040a	VG-245..	53575a
SF-CD1..	54540a	SSE8810TAB..	11070a	TTM37	50040a	VG-253..	53570a
SF-SPS..	54540a	SS8810TAB..	11070a	TTM39..	50060a	VG-254..	53570a
SHOE-15L105..	51150a	SSE881RTAB..	11070a	TTM40..	50060a	VG-3050..	54020a
SHOE-48..	52611a	SSE881TAB..VG	11170a	TTM41..	50060a	VG-3051..	54050a
SHOE-49L26	52592a	SSE8857M..	11110a	TTM42..	50060a	VG-3052..	54050a
SHOE-49L42	52593a	SSE8857M..VG	11160a	TTM48..	50060a	VG-3055..	54050a
SHOE-53L102..	51150a	SSE8857TAB..	11110a	TTM52..	50060a	VG-3070..	54060a
SHOE-84L244..	51170a	SSEL815..	11020a	TTM61..	50050a	VG-3080..	54060a
SHOE-84L68..	51160a	SSEL815..	11030a	TTM62..	50050a	VG-3087..	54060a
SHOE-85L244..	51170a	SSEL881MO..	11060a	TTM64..	50101a	VG-3110..	54070a
SHOE-88L244..	51170a	SSER814..VG	11150a	TTM66..	50101a	VG-3115..	54070a
SHOE-89L152..	51170a	SSER815..VG	11150a	TTM68..	50070a	VG-60..	53615a
SHOE-94..	52611a	SSER815TAB..VG	11150a	TTM71..	50070a	VG-619..	53610a
SK38..DMS	11330a	SSL812..	11030a	TTM78..	50070a	VG-620..	53615a
SK38..RMS	11330a	SSL881MO..	11060a	TTM82..	50070a	VG-632..	54560a
SMB-60..	53625a	SSSR815..	11030a	TTM84..	50101a	VG-633..	54550a
SP-10049..	53535a	TC-20..	53610a	TTM85..	50101a	VG-634..	54550a
		TC-60..	53625a	TTM86..	50101a	VG-641T..	53590a

Legend

Codes ending with .. indicate a group of item descriptions all starting with the code listed. Example: 2122.. (all item descriptions starting with 2122).

Codes with .. in the middle indicate a group of item descriptions starting and ending with the codes listed. Example 2251..RS (all item descriptions starting with 2251 and ending with RS). **Information about item descriptions, printed in blue, is only available on our website: www.SystemPlastSmartGuide.com**

Chains & sprockets	Wear strips	Side guide brackets & accessories	Levelers	Engineering manual
Modular belts & sprockets	Chain & belt return systems	Frame & structure supports	Bearing supports	
Curves & tracks	Side guide solutions	Miscellaneous products	Equipment	

Item description	Page code	Item description	Page code	Item description	Page code	Item description	Page code
VG-686A-1.25-3M	52611a	VG-JSL075-125..	50530a	VG-Q-75-40..	53595a		
VG-687-1.4-3M	52612a	VG-JSL075-188..	50530b	VG-QSC..	53595a		
VG-687-3.3-3M	52612a	VG-L20M..	50520a	VG-QT-01	53595a		
VG-687FLEX-1.4-3M	52610a	VG-LGSF..	51520a	VG-S1020M..	51660b		
VG-687H-1.4-3M	52611a	VG-LGSR..	51520a	VG-S1040M..	50560a		
VG-687H-3.3-3M	52611a	VG-LGST..	51520b	VG-S330M..	50580a		
VG-687LDB-M8	52612a	VG-LSSF..	51520a	VG-S4-330M..	50580a		
VG-687NP-1.4M	52612a	VG-LSSM..	51520a	VG-S4P330C..	50580b		
VG-687SP	52611a	VG-LSSMT..	51520c	VG-S4-S3020..	50550a		
VG-688-1.4-3M	52614a	VG-LSSR..	51520a	VG-S640M..	50560a		
VG-688-3.3-3M	52614a	VG-LSST..	51520b	VG-S840M..	50560a		
VG-688FLEX-1.4-3M	52610a	VG-LSST..	51520a	VG-SC..	54630a		
VG-688H-1.4-3M	52613a	VG-LSST..	51520c	VG-SCL..	54630a		
VG-688H-3.3-3M	52613a	VG-LSSWF..	51520a	VG-SD..	51660a		
VG-750-10	50550b	VG-LSSWF..	51520b	VG-SP1040M..	50560a		
VG-A2520..	51740b	VG-MBG-50-NS-10	50570a	VG-SP330C..	50580b		
VG-A330M..	50580a	VG-NG110..	51720a	VG-SP640M..	50560a		
VG-A600A..	51740a	VG-NG125..	51720a	VG-SP840M..	50560a		
VG-A840..	52650a	VG-NG47..	51720a	VG-SSF-HT-10	51520a		
VG-ABG..	51730a	VG-NG49..	51720a	VG-SSMT..	51520c		
VG-AP330C..	50580b	VG-NG50..	51720a	VG-SSTS..	51520b		
VG-BP..	54030a	VG-NG81..	51720a	VG-T425M..	50550b		
VG-BPT..	54030b	VG-NG91..	51720a	VG-TP..	54030a		
VG-BPV..	54030b	VG-P1040M..	50560a	VG-U3041..	50550a		
VG-BWS-125-10	50570a	VG-P105..	50650a	VG-U3042..	50550a		
VG-DB83M-B-10	51710a	VG-P10MRD..	51710a	VG-U3043..	50550a		
VG-F203M..	50550b	VG-P12MRD..	51710a	VG-U4045..	50550a		
VG-F205M..	50550b	VG-P14BC..	50650a	VG-J23..	50520a		
VG-F205M..	51120a	VG-P14HD..	50650b	VG-Z18M..	50520a		
VG-F206M..	51120a	VG-P18BC..	50650a	VG-Z20M..	50520a		
VG-F253M..	50550b	VG-P18CC-100	50530a	VG-Z20WM..	50520a		
VG-F303M..	50550b	VG-P18HD..	50650b	VG-Z21..	50520a		
VG-F403..	50550a	VG-P2520..	51740b	VT1701T..	50170a		
VG-F403M..	50550b	VG-P316BC..	50650a	VT1710CT..	50170a		
VG-F503M..	50550b	VG-P316HD..	50650b	VT1713CT..	50180a		
VG-F603M..	50550b	VG-P330C..	50580a	VT1873T..	50160a		
VG-F703M..	50550b	VG-P330CW..	50610a	VT880B..	50130a		
VG-G1020M..	51660b	VG-P330M..	50560a	VT880T..	50110a		
VG-GD..	51660a	VG-P516BC..	50650b	VT882..	50140a		
VG-H7816M..	51690a	VG-P640M..	50560a	VT882B..	50150a		
VG-H14022M..	51703a	VG-P650M..	50560a	VTC880..	50120a		
VG-H8716M..	51700a	VG-P680M..	50560a	VTR880B..	50130a		
VG-H9014M..	51680a	VG-P7GABC..	50650a	VTR882B..	50150a		
VG-J100-125T..	50530a	VG-P7GAHD..	50650b	W1700	11530a		
VG-J100-188..	50530b	VG-P813..	51740a				
VG-J21M..	50520a	VG-P816..	51740a				
VG-J23M..	50520a	VG-P822..	51740a				
VG-JEL-078..	50530a	VG-P834..	51740a				
VG-JL19M..	50520a	VG-P840DBM..	51710a				
VG-JS100-125..	50530a	VG-P840M..	50560a				
VG-JS100-188..	50530b	VG-P8MRD..	51710a				
VG-JS150-125..	50530a	VG-PBG5..	51730a				
VG-JS150-18..	50530b	VG-PBG7..	51730a				
VG-JS200-125..	50530a	VG-PD..	51660b				
VG-JS200-188..	50530b	VG-PM10BC..	50650b				
VG-JS3-075-125..	50530a	VG-PM4BC..	50650a				

Legend

Codes ending with .. indicate a group of item descriptions all starting with the code listed. Example: 2122.. (all item descriptions starting with 2122).
 Codes with .. in the middle indicate a group of item descriptions starting and ending with the codes listed. Example 2251..RS (all item descriptions starting with 2251 and ending with RS). **Information about item descriptions, printed in blue, is only available on our website: www.SystemPlastSmartGuide.com**