



Conveyor Components

Issue 16

CONVEYOR COMPONENTS

- Chain Guide Components Page S002
- Product Handling Components Page S045
- Frame Support Components Page S140
- Miscellaneous Components Page S156

S001 - S189



SUPPORTING AND LEVELLING ELEMENTS

- Articulated Feet in Reinforced Polyamide Page R08
- Articulated Feet Gripper Page R21
- Articulated Feet in Steel Page R34
- Fixed Feet in Steel Page R41
- Threaded Bushings Page R42

R00 - R43



SELF-ALIGNING BEARINGS

- Square Flange Bearing Units Page B04
- Oval Flange Bearing Units Page B14
- Pillow Block Type Bearing Units Page B22
- Compact Pillow Block Type Bearing Units Page B26
- Side Flange Bearing Units Page B28
- Take-up Bearing Units Page B36
- Round Flange Bearing Units Page B38

B00 - B59





The company

Rexnord is a global company supplying many industries with power transmission and conveying components. The product offering ranges from roller chains, couplings and geared products to conveyor chains, belts and components.

The head office is based in the United States, with several divisions all over the world. The Rexnord FlatTop division is manufacturing conveyor chains, belts and components.

Rexnord is fully committed to meet customer expectations; huge knowledge of the business reduces maintenance costs, eliminates redundant inventories and prevents downtime, all in close co-operation with OEMs and end users. This is a result of Rexnord's focus on product development, application engineering, operations and customer service.

Rexnord FlatTop Europe represents 3 strong brands: Rexnord, MCC and Marbett.

With production facilities in 's-Gravenzande and Correggio, sales offices in The Netherlands and Italy, a large sales group for local service in many countries and distributors all over the world, Rexnord is always close to its customers. In this way a fast and reliable delivery is guaranteed.

Rexnord chains and belts are being used to convey a wide variety of products: bottles, cans, boxes, crates, tires, loose food, glass jars, PET containers, trays; shortly every transport in production halls in virtually any industry.

The product range has been split up over two catalogues, one for Rexnord/MCC Table Top/MatTop chains and one for Marbett conveyor components.

The industries served

As the handling specialist in the field of conveying, the Rexnord product portfolio is providing solutions for complete lines in several industries in order to improve productivity.

In beverage industry palletizers, depalletizers, washers, labelers, fillers, pasteurizers, inliners, outfeeds, elevators and accumulation tables are equipped with slatband chains, curves, sprockets, belts, bearings, leveling elements and many more conveyor components.



For the container manufacturing industry special products and materials are available, such as abrasion resistant polyamide for glass plants, vacuum chains for can making and gripper chains for vertical transport.

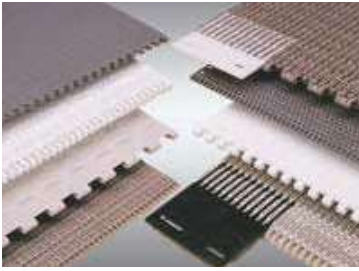


A wide range of products is also offered for blanchers, cookers, washers, coolers and processing lines in fruit, vegetables, bakery, confectionary etc. And many more products are available for the handling of packed food.



In automotive industry the products are engineered to meet the most demanding applications, such as rubber processing and tire handling.

This is just a short selection of the applications in which Rexnord products are being used. Among others they have also found their way into pharmaceutical production lines, battery manufacture, paper and cardboard production.



Rexnord and MCC TableTop chains and MatTop belts

The product line can be split up into:



- **Steel slatband chains**
In various materials ranging from carbon steel to special stainless steel with better wear and sliding properties; types straight running, sideflexing tab, bevel and Magnetflex, with and without rubber top.

- **Plastic slatband chains**

Wide range of materials and various executions; single hinge, double hinge, heavy duty, vacuum, lbp rollers and rubber top.



- **Plate Top and Gripper chains**
Based on the Rexnord roller chains in both stainless and carbon steel; Plate Top chains have steel or plastic top plates; Gripper chains have different types of rubber inserts.

- **Case conveyor and Multiflex chains**
Different types of acetal for both straight running and sideflexing transport of products varying from heavy crates to small juice packs.

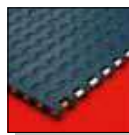


- **Curves**
Magnetflex, Tab and bevel, as well as straight tracks to support the chain in all parts of the line; there are many standard versions besides the ability to make any special curve needed

in your applications with short delivery times.

- **Modular belts**

Pitches differ from 0.5 to 2.25 inch to suit any application. Most series have both closed and open top executions; some also available with rubber top for inclined conveying.



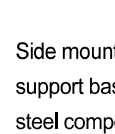
Marbett conveyor components

The product line can be split up into:

- **Chain guide components**
Profiles, corner tracks, straight tracks, return rollers, serpentine, plugs for connections.



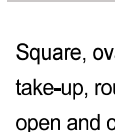
- **Product handling components**
Guide rails, roller guides, guide rail clamps, guide rail brackets and connecting clamps in plastic or stainless steel.



- **Frame support components**
Side mounting top brackets, bearing heads, support bases and connecting joints, stainless steel components.



- **Supporting and leveling elements**
Different versions in steel and plastic, articulated and fixed, with and without gripper bottom and vibration absorbing feet.



- **Self-aligning bearings**
Square, oval, pillow block, side flange, take-up, round, and other executions, all with open and closed unit. Lubricated for life versions are also available.



- **Miscellaneous components** Line control elements, hinges, locks, knobs, modular transfer roller plates, rollers, tensioners, nozzles, cable carriage chains, shaft collars and nose-over bars.

CHAIN GUIDE COMPONENTS

Chain Guide Profiles Page S002

Roller Guides for Chain Return Page S027

Serpentine Guides for Chain Return Page S036

Plugs for Connection Page S042



PRODUCT HANDLING COMPONENTS

Product-Guides Page S043

Guide-Rail Clamps Page S086

Guide-Rail Brackets Page S102

Connecting Clamps Page S118



FRAME SUPPORT COMPONENTS

- Side Mounting top Brackets Page S122
- Bearing Heads Page S124
- Support Bases Page S126
- Connecting Joints Page S180
- Support Heads (Stainless steel) Page S130
- Connecting Joints (Stainless steel) Page S134



MISCELLANEOUS COMPONENTS

- Line Control Elements Page S136
- Hinges Page S140
- Locks Page S142
- Tightening Elements Page S143
- Modular transfer roller plate Page S146
- Modular Nose-Over Bar Page S150
- Shaft collars Page S152
- Winding Tensioners Page S154
- Side Guide Adjustment Page S156



TECHNICAL INFORMATION

Technical information Page S162

Guide- Rail Brackets



Part. S0708 - Pag. S102
Bracket with eyebolt.



Part. S0107 - Pag. S103
Bracket with eyebolt.



Part. S0617 - Pag. S103
Bracket with eyebolt.



Part. S0140 - Pag. S104
Bracket with eyebolt.



Part. S0632 - Pag. S105
Adjustable bracket.



Part. S0637 - Pag. S106
Adjustable bracket.



Part. S0862 - Pag. S107
Swivel head.



Part. S0256 - Pag. S107
Swivel head.



Part. S0192 - Pag. S108
Swivel head.



Part. S0061 - Pag. S110
Spacer.



Part. S0725 - Pag. S111
Spacer.



Part. S0226-S0336 - Pag. S112
Drip tray support.
Straight Rod.



Part. S0338 - Pag. S113
Mounting plate for
Part. S0226-S0336.



Part. S0699 - Pag. S115
Side bracket.



Part. S0692 - Pag. S114
Side bracket.



Part. S0661 - Pag. S116
Cross clamp.



Part. S0732 - Pag. S116
Cross clamp
with Quick-Set.



Part. S0763 - Pag. S117
T - clamp with eyebolt,
with knob.

Adjustable Brackets Part.	Fixed Brackets Part.			
S0704+S0192 (S0699+S0192)	-	42,5	35,5	52 (128)
-	S0708	42,5	-	67,5
S0704+S0192 (S0699+S0192)	-	60	53	52 (128)
-	S0081-S0088	-	58	36
-	S0705	61	61	31
-	S0107	-	64,5	45
-	S0708	64,5	-	67,5
S0682-S0677	-	67	-	65
-	S0072-S0089	67	-	42,8
S0635-S0637-S0638 (S0650-S0652-S0653)	-	68	-	64 (48)
-	S0599	68	-	64
S0679	-	70	-	65
S0704+S0192 (S0699+S0192)	-	80	73	52 (128)
-	S0140	81	-	50
-	S0085	84,5	-	42
S0636 (S0651)	-	86	-	64 (48)
-	S0097-S0010	86	-	42
-	S0617	87	-	49
S0679	-	87,5	-	65
S0542-S0543-S0544	-	90	86	51
S0681	-	105,5	-	65
S0679	-	107,5	-	65
S0541	-	108	104	51
S0704+S0192 (S0699+S0192)	-	110	103	52 (128)
S0681	-	123	-	65
S0679	-	137,5	-	65
S0681	-	143	-	65
S0704+S0192 (S0699+S0192)	-	150	143	52 (128)
S0681	-	173	-	65
S0679	-	177,5	-	65
S0681	-	213	-	65

P = to increase the distance use the proper spacer

Connecting Clamps



Part. S0340 - Pag. S118
Cross clamp.
Round and square holes.



Part. S0174 - Pag. S118
Cross clamp. Round hole.



Part. S0339 - Pag. S120
T clamp.



Part. S0786 - Pag. S121
Cross clamp.



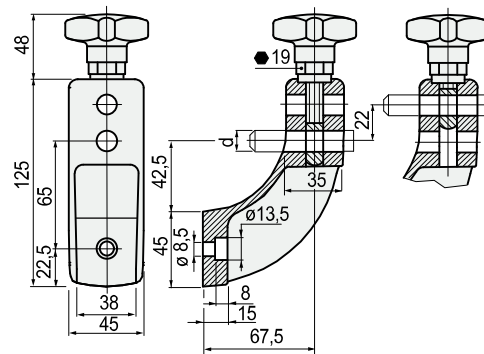
Part. S0786 - Pag. S121
Cross Clamp,
with knob.

Part. **S0708**



■ Bracket with two holes

Version without positioning guide



Pin dia.
d
mm

Code

Weight
kg

Version without positioning guide

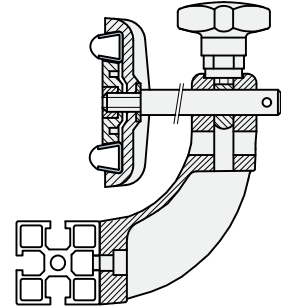
Pin dia. d mm	Code	Weight kg
12	692502	0,23

- Material: bracket and knob in reinforced polyamide PA FV (black). Hexagonal insert (for 19 mm wrench) in nickel plated brass. Eyebolt in austenitic stainless steel.
- Max recommended tightening torque: 4 Kgm.
- Packaging: 12 pieces.

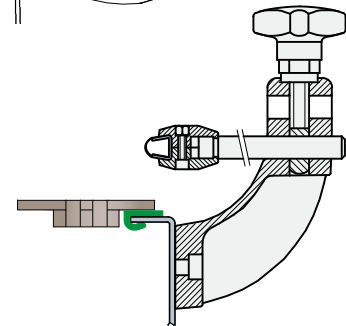
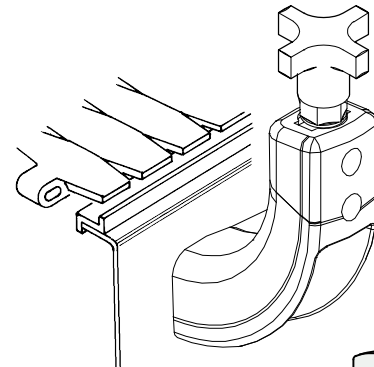
• Characteristics of Part. S0708

- Bracket with a reduced structure-connecting size.
- Available with positioning guide for an easy assembly on aluminium sections.
- The two holes allows to position the guide-rail bracket in two different heights depending on specific requirements.

• Assembly version with positioning guide

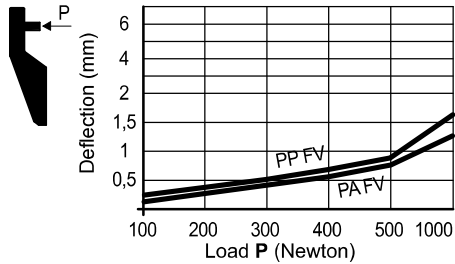


• Assembly version without positioning guide



• Assembly version with centering pin

Deflection of Part. S0107



Technical data Part. S0107

- Sliding load resistance:

Material in PA FV
2000 N (width d = 12)
3200 N (width d = 14)
Material in PP FV
1300 N (width d = 12)
1700 N (width d = 14)

- Breaking load:

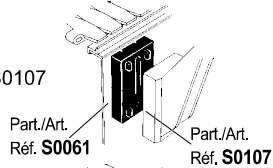
Material in PA FV
4500 N
Material in PP FV
3300 N

Tests performed at tightening torque: 4 Kgm

Accessories

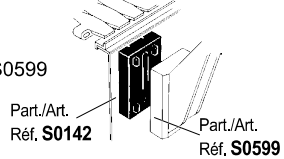
Spacer Part. S0061.

Applicable to Part. S0107



Spacer Part. S0142.

Applicable to Part. S0599



Assembly of drip tray support

Part. S0226 - S0336.

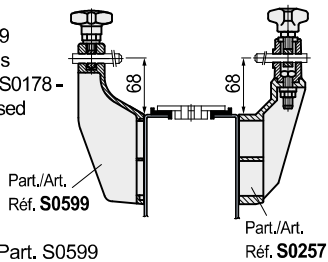
Part. S0107 e S0599

permit application of drip tray support.

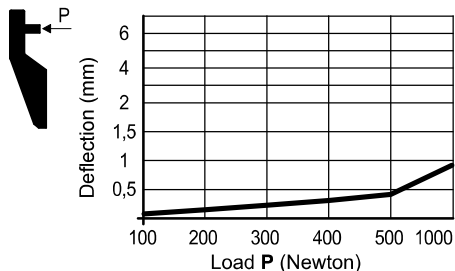


Use Part. S0599

Same dimensions as Part. S0163 - S0178 - S0257, can be used alternatively.



Deflection of Part. S0599



Technical data Part. S0599

- Sliding load resistance:

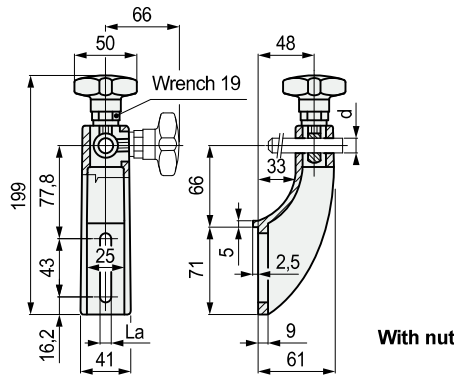
2000 N (width d = 12)

- Breaking load:

3000 N

Tests performed at tightening torque: 4 Kgm

Bracket with eyebolt



With nut

Material	Pin dia. d mm	Code		Weight kg
		La = 9	La = 10,5	

With lip

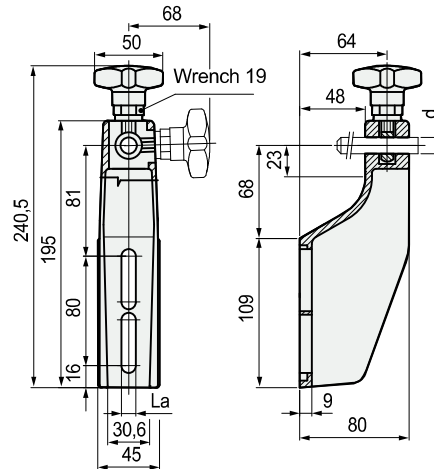
Reinforced polyamide PA FV	12	50710N	68200N	0,15
----------------------------	----	--------	--------	------

- Material: knob in reinforced polyamide (black), exagonal insert (for 19 mm wrench) in nickel plated brass, eyebolt in austenitic stainless steel.
- Colour: black.
- Max recommended tightening torque: 4 Kgm.
- Packaging: 12 pieces.

Part. S0107



Bracket with eyebolt



Material	Pin dia. d mm	Code		Weight kg
		La = 9	La = 10,5	

Reinforced polyamide PA FV	12	611293	613572	0,11
----------------------------	----	--------	--------	------

- Material: knob in reinforced polyamide (black), exagonal insert (for 19 mm wrench) in nickel plated brass, eyebolt in austenitic stainless steel.
- Colour: black.
- Max recommended tightening torque: 4 Kgm.
- Packaging: 12 pieces.

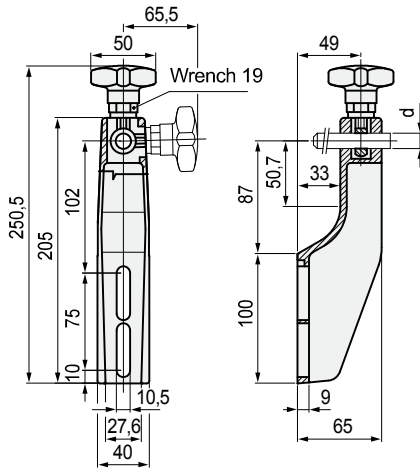
Part. S0599



Part. S0617



Bracket with eyebolt



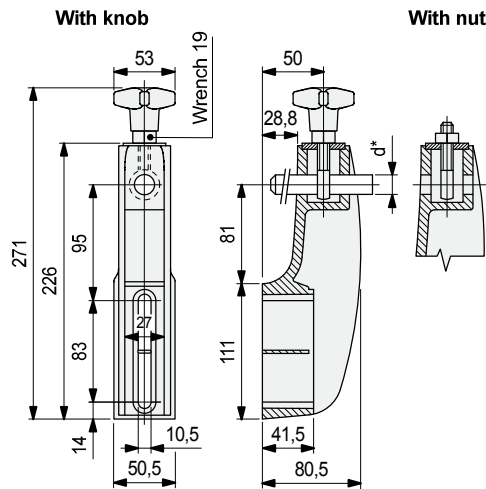
Material	Pin dia. d mm	Code	Weight kg
Reinforced polyamide PA FV (black))	12	613562	0,18

- Material: knob in reinforced polyamide (black), exagonal insert (for 19 mm wrench) in nickel plated brass, eyebolt in austenitic stainless steel.
- Max recommended tightening torque: 4 Kgm.
- Packaging: 12 pieces.

Part. S0140



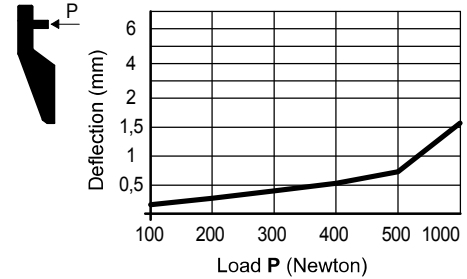
Bracket with eyebolt



Pin dia. d* mm	Version	Code	Weight kg
14+16	with knob	66690N	0,47

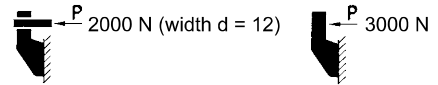
- * = The bracket can be used with dia. 14 and dia. 16 mm pins.
- Material: bracket and knob in reinforced polyamide (black), exagonal insert (for 19 mm wrench) in nickel plated brass, tightening nut and eyebolt in austenitic stainless steel.
- Max recommended tightening torque: 4 Kgm.
- Packaging: 12 pieces.

Deflection of Part. S0617



Technical data Part. S0085

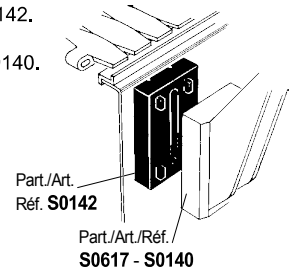
- Sliding load resistance: 2000 N (width d = 12)
- Breaking load: 3000 N



Tests performed at tightening torque: 4 Kgm

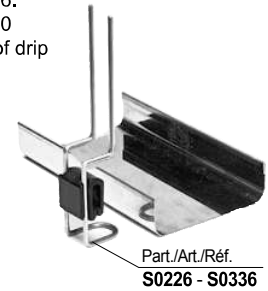
Accessories

Spacer Part. S0142. Applicable to Part. S0617 - S0140.

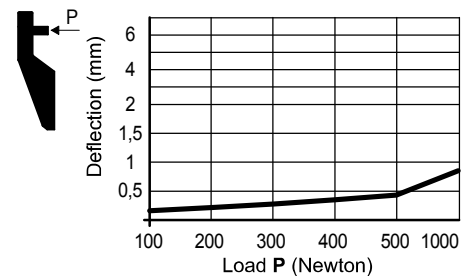


Assembly of drip tray support

Part. S0226 - S0336. Part. S0617 - S0140 permit application of drip tray support.

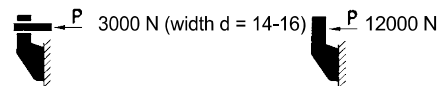


Deflection of Part. S0140



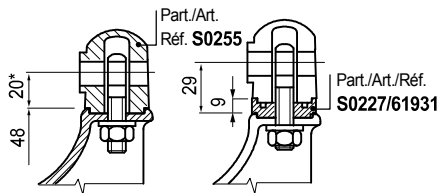
Technical data Part. S0140

- Sliding load resistance: 3000 N (width d = 14-16)
- Breaking load: 12000 N



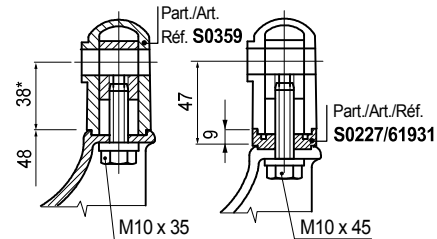
Tests performed at tightening torque: 4 Kgm

• **Assembly with swivel head Part. S0255**



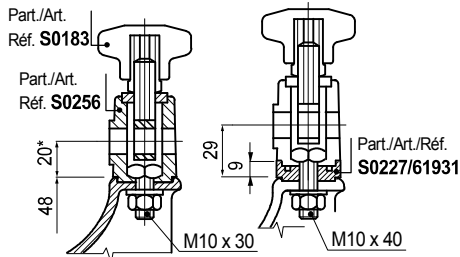
* = To increase the height (by 9 mm) use 1 spacer Part. S0227 code 61931. The length of the thread allows for only 1 spacer.

• **Assembly with swivel head Part. S0359**



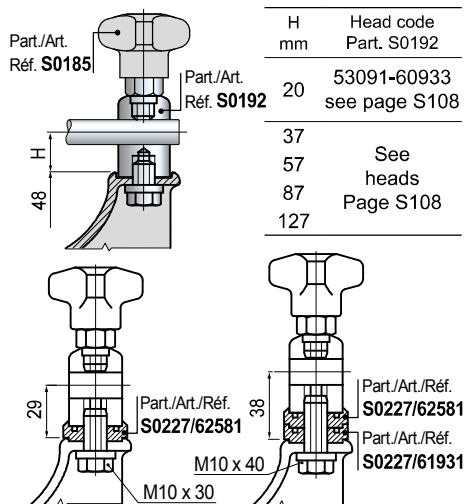
* = To increase the height (by 9 mm) use 1 or more spacer Part. S0227 code 61931. To use the spacer a longer screw is necessary.

• **Assembly with swivel head Part. S0256**



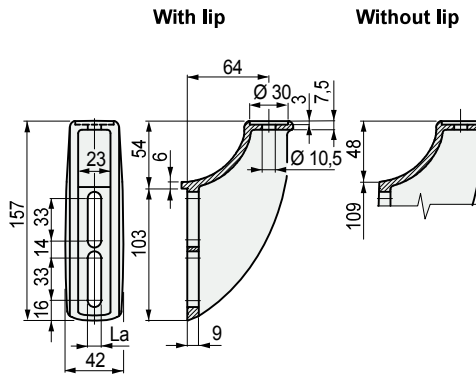
* = To increase the height (by 9 mm) use 1 or more spacer Part. S0227 code 61931. To use the spacer a longer screw is necessary.

• **Assembly with swivel head Part. S0192**



To use the spacer Part S0227, a longer screw is necessary.

■ **Adjustable bracket**



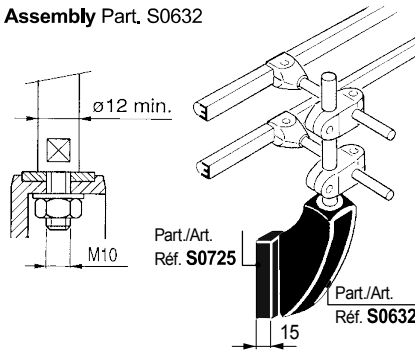
Part. S0632



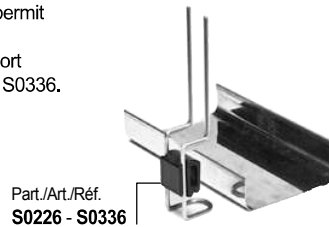
Version	Code		Weight kg
	La = 9	La = 10,5	
Without lip	605263	647142	0,21

- Material: reinforced polyamide PA FV (black).
- Packaging: 12 pieces.
- Accessories: spacer Part. S0725.

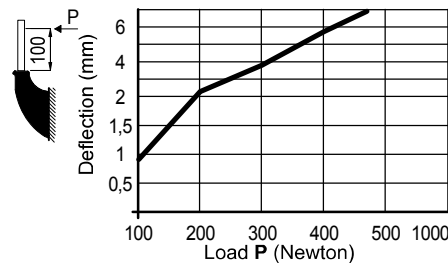
• **Assembly Part. S0632**



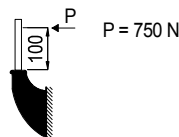
- Part. S0632 permit application of drip tray support Part. S0226 - S0336.



• **Deflection of Part. S0632**



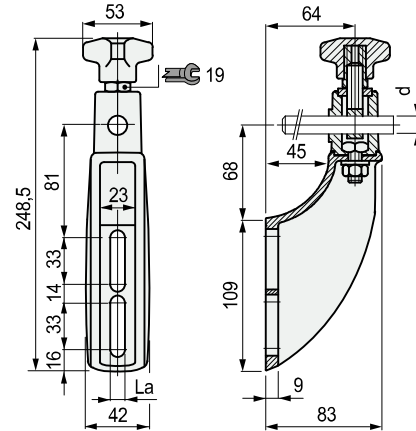
• **Breaking load P**



Part. **S0637**



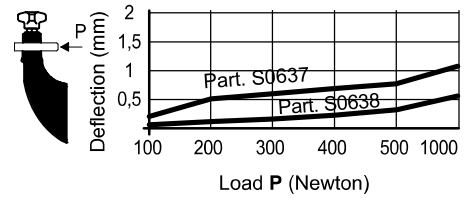
Adjustable bracket



Pin dia. d mm	Code La = 10,5 mm	Weight kg
12	648372	
14	648382	0,40
16	648392	

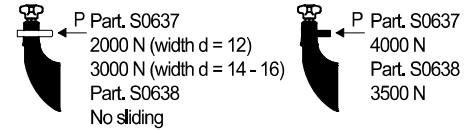
- Material: bracket, swivel head and knob in reinforced polyamide (black), hexagonal insert (for 19 mm wrench) in nickel plated brass, eyebolt and tightening nuts/bolt in austenitic stainless steel.
- Operation: by untightening the bolt, the position of the top can be adjusted. By tightening the knob, the position of the pin can be adjusted.
- Max recommended tightening torque: 4 Kgm.
- Packaging: 12 pieces.

Deflection of Part. S0637 - S0638



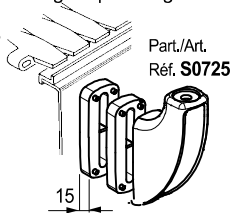
Technical data Part. S0637 - S0638

- Sliding load resistance:
- Breaking load:

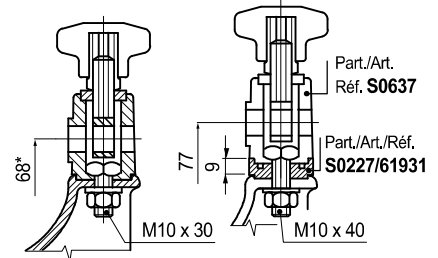


Tests performed at tightening torque: 4 Kgm

- Part. S0637 - S0638 permit application of 1 or more spacer Part. S0725.



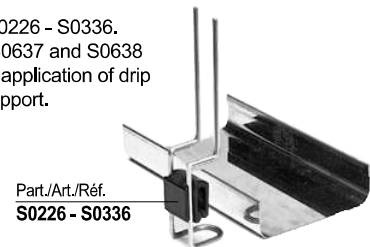
- Part. S0637 permit application of spacer Part. S0227.



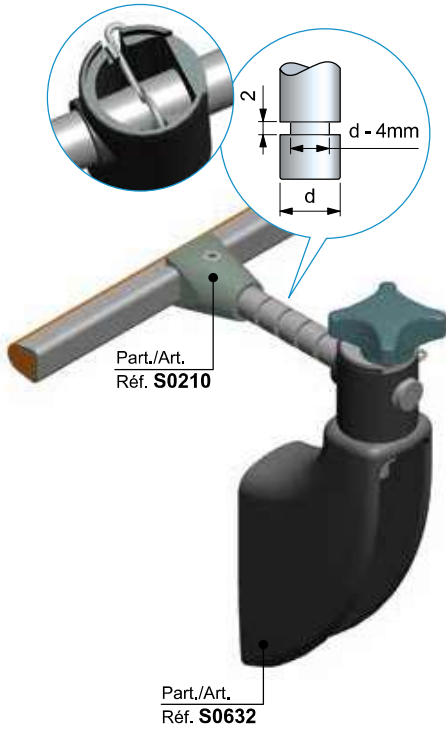
* = To increase the height (by 9 mm) use 1 spacer Part. S0227 code 61931.
To use the spacer a longer screw is necessary.

To use the spacer Part. S0227 a longer screw is necessary.

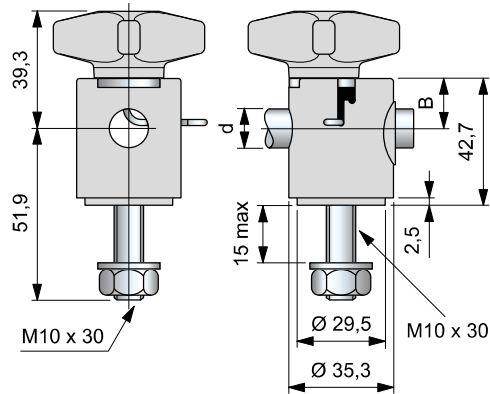
- Part. S0226 - S0336. Part. S0637 and S0638 permit application of drip tray support.



- **Assembly of Part. S0862**
Applicable to brackets Part. S0632 - S0648 - S0540



Swivel head



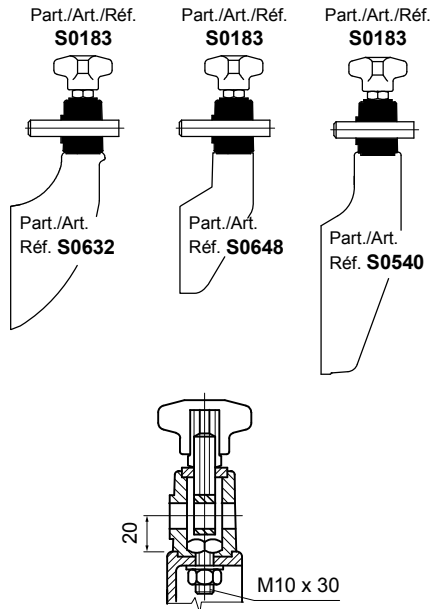
Pin dia. d mm	Pin dia. d inch	B	Code	Weight kg
12	1/2"	16,9	649763	0,08

- Material: clamp and knob in reinforced polyamide PA FV (black).
Tightening nut and eyebolt in austenitic stainless steel.
- Packaging: 12 pieces.

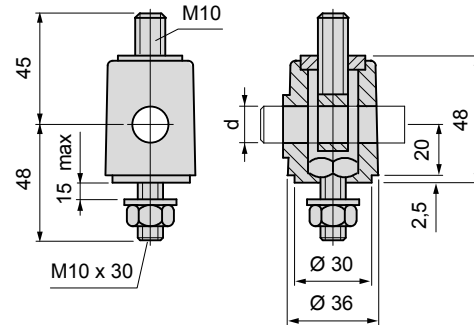
Part. S0862



- **Assembly of Part. S0256**
Applicable to brackets Part. S0632 - S0648 - S0540
(in combination with knob Part. S0183).



Swivel head



Material	Pin dia. d mm	Code	Weight kg
Reinforced polyamide PA FV (black)	12	64561	0,12
	14	64571	
	16	64581	

- Material: tightening nut and eyebolt in austenitic stainless steel.
- Packaging: 12 pieces.

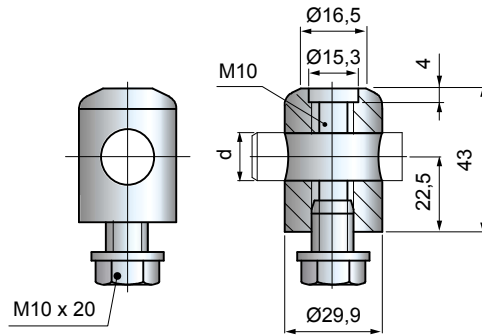
Part. S0256



Part. **S0192**



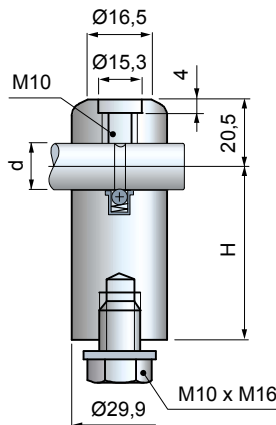
■ Swivel head



Pin dia. d mm	Matériau	Code	Weight kg
12 (1/2")	Austenitic stainless steel	608683	0,19
14÷16*	Austenitic stainless steel	53091	

* = the bearing head can be used with dia.14 and dia.16 mm pins.
 - Material: tightening bolt in austenitic stainless steel.
 - Packaging: 50 pieces.

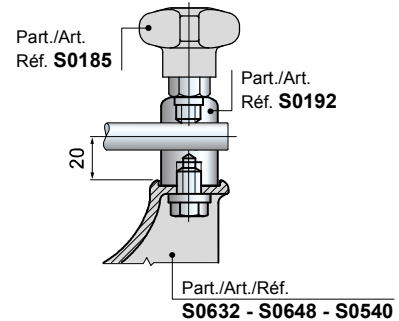
■ Swivel head with positioner



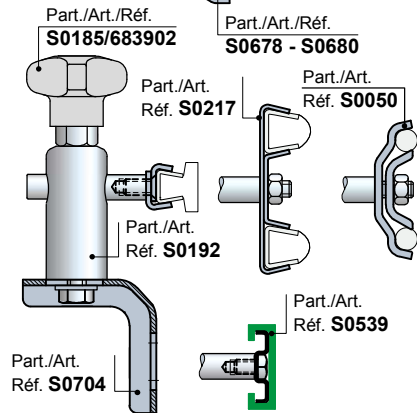
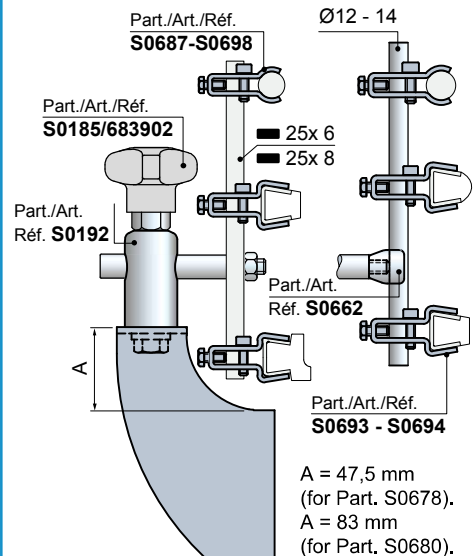
Pin dia. d mm	H mm	Code		Weight kg
		Sans positionneur	Avec positionneur	
14÷16*	40	674012	673962	0,29
	60	674022	673972	0,40

* = Version with positioner can be used only with dia.16 mm pins.
 - Material: swivel head in austenitic stainless steel. Tightening bolt in austenitic stainless steel.
 - Packaging: 10 pieces.

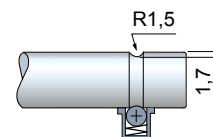
• **Assembly** of Part. S0192
 Applicable to brackets Part. S0632 - S0648 - S0540 (in combination with knob Part. S0185).



• **Use of Part. S0192**

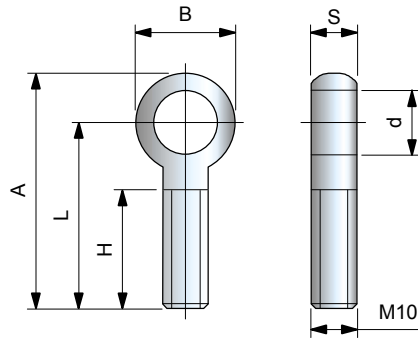


• **Pin dimension** for positioner



■ Eyebolt

Part. **S0000**

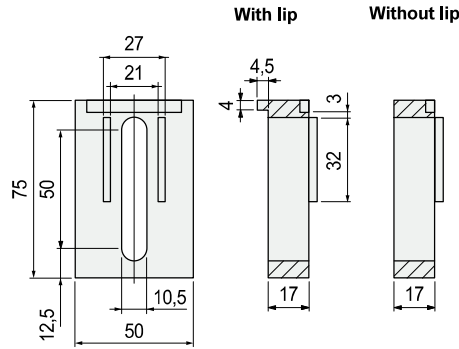


d mm	L mm	H mm	A mm	B mm	S mm	Code
13	30	18	41	20	10	65624
14,2	30	20	41	20	10	61005
20,5	36	22	50	27	7,3	675902

- Material: austenitic stainless steel.
- Packaging: 50 pieces.

Part. **S0061**

■ Spacer

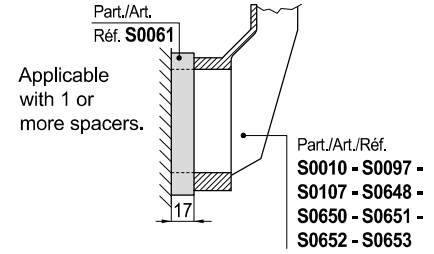


Version	Code	Weight kg
With lip	66194N	0,04
Without lip	50870N	

- Material: reinforced polyamide PA FV (black).
- Packaging: 24 pieces.

• Assembly of Part. S0061

Applicable to Part. S0010 - S0097 - S0107 - S0648 - S0650 - S0651 - S0652 - S0653.

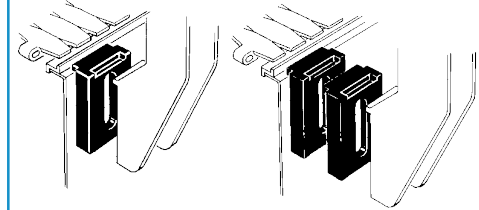


Applicable with 1 or more spacers.

Advantages of version with lip:

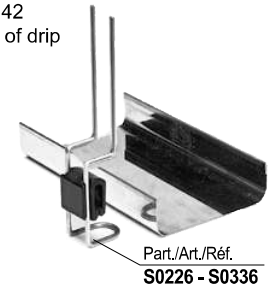
Possibility of resting on side of conveyor frame.

Possibility of assembling several spacers, all centred.



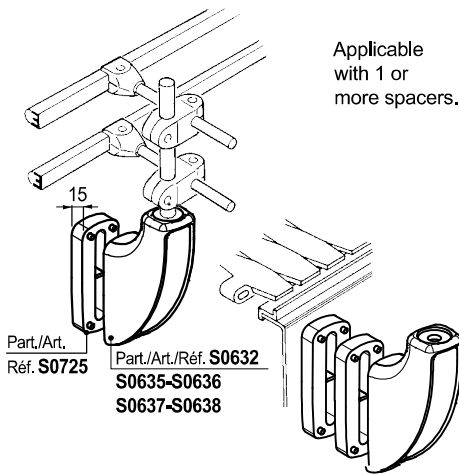
• Assembly of drip tray support

Part. S0226 - S0336.
Part. S0061 - S0142
permit application of drip tray support.

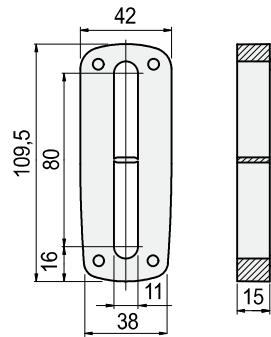


Part. S0725

- **Assembly of Part. S0725**
Applicable to Part. S0632 - S0635 - S0636 - S0637 - S0638.



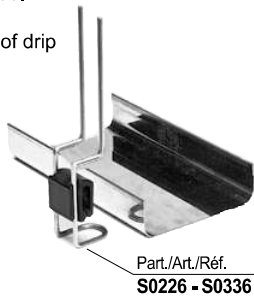
■ Spacer



Code	Weight kg
688762	0,05

- Material: reinforced polyamide PA FV (black).
- Packaging: 24 pieces.

- **Assembly of drip tray support**
Part. S0226 - S0336.
Part. S0725 permit application of drip tray support.

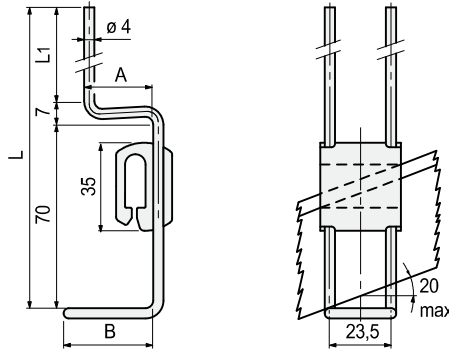


Part. **S0226**

■ Drip tray support



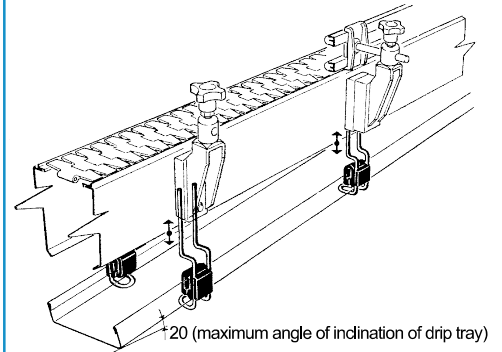
Bent rod



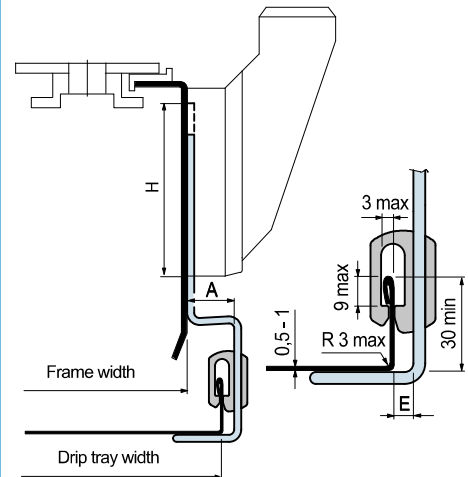
Height	Code				Part. S0336	Weight
	L	L1	A	B		
180			27	35	60574N	
230	153		27	35	697801N	0,06
310	233		18	35	68299N	

- Material: body in reinforced polypropylene PP FV (black), support element in austenitic stainless steel, self-tapping screw (only for Part. S0336) in stainless steel.
- Packaging: 100 pieces.

• Assembly of Part. S0226 (standard)



• Drip tray design



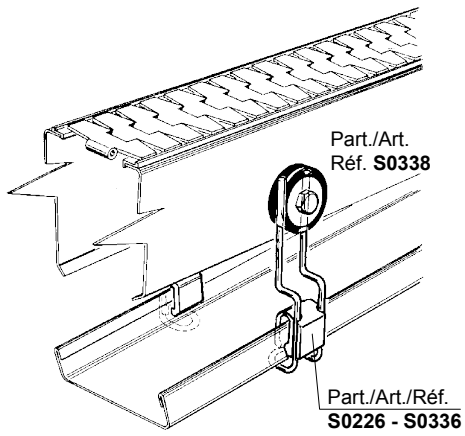
Drip tray width = Frame width + 2 • (A - E)

A = see table with codes

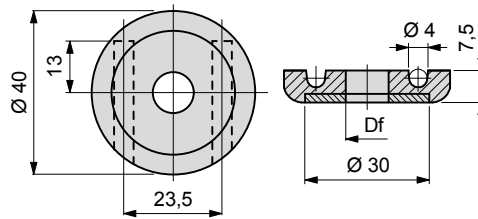
E = 10 mm for Part. S0226 (standard)

Bracket Part.	Rod slot length
	H mm
S0081 - S0088	70
S0072 - S0089	102,5
S0085	53
S0010 - S0097	71
S0107	72
S0599	104
S0140	106
S0617	95
S0632 - S0635 - S0636 - S0637 - S0638	103,5
S0540 - S0541 - S0542 - S0543 - S0544	123

• Assembly of Part. S0336



■ Mounting plate



Bore dia. Df mm	Code	Weight Kg
9	67563	0,20

- Material: plate in reinforced polyamide (black), washer in austenitic stainless steel.
- Packaging: 100 pieces.

Part. S0338

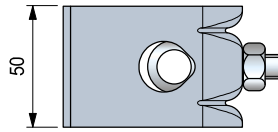
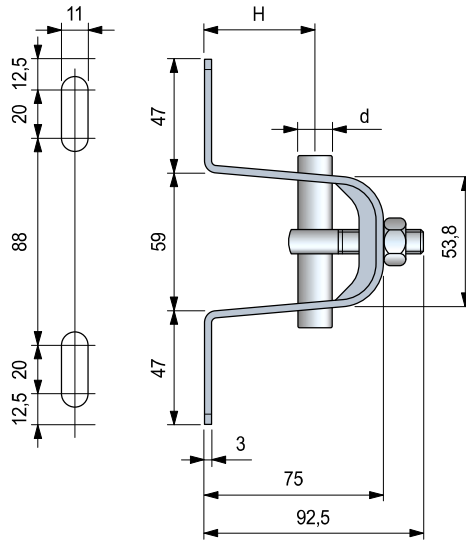


Part. **S0692**



Bracket

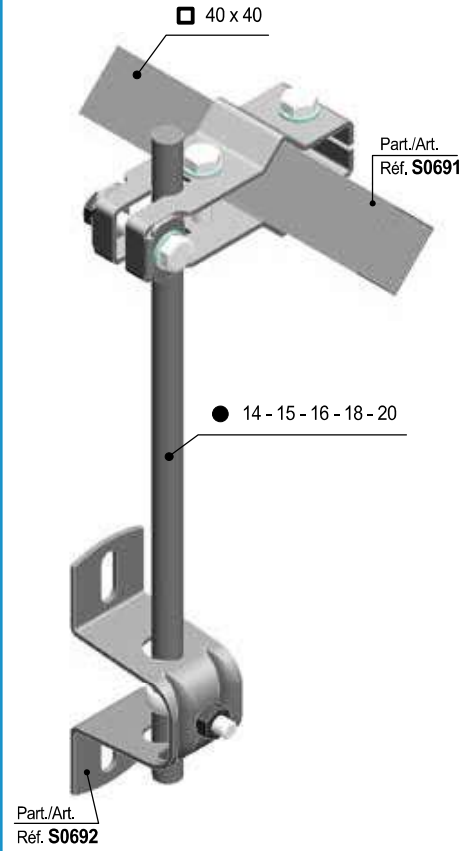
Standard version



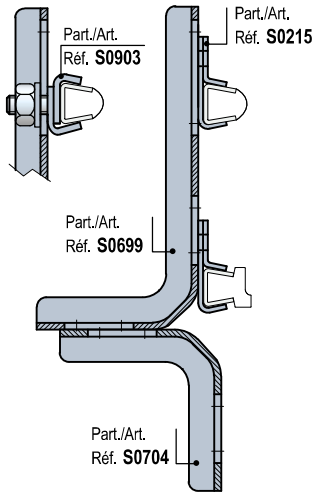
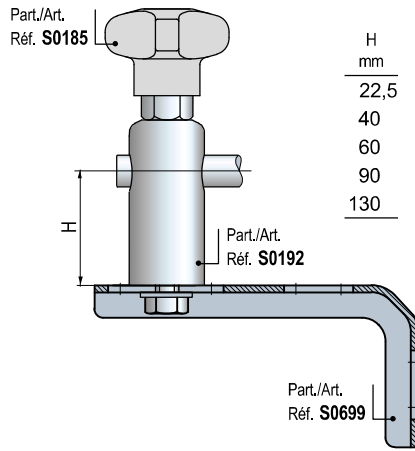
Pin dia. d mm	H mm	Code Standard version	Weight kg
20	42	686302N	0,33

- Material: bracket and bolt in austenitic stainless steel.
- Max recommended tightening torque: 2 Kgm.
- Packaging: 6 pieces.

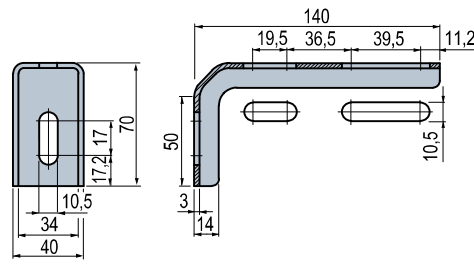
Use of Part. S0692



• Use of Part. S0699



■ Bracket



Code	Weight kg
684872	0,23

- Material: austenitic stainless steel.
- Packaging: 6 pieces.

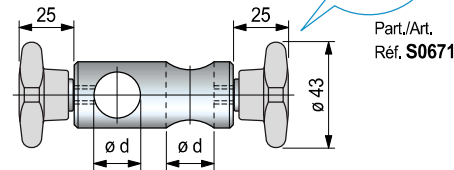
Part. S0661



Cross clamp

Version without knobs

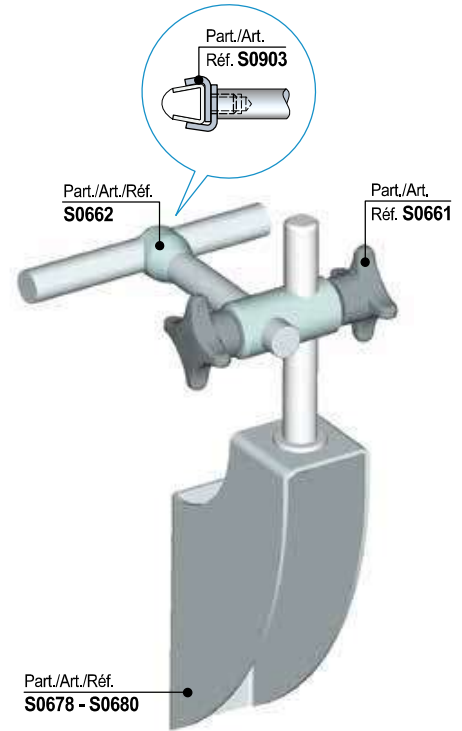
Version with knobs



Pin dia. d	Code	With knobs	l	A	B	ø De
mm			mm	mm	mm	mm
12	675722		16	40	12	20

- Material: clamp in austenitic stainless steel. Knob in reinforced polypropylene PP FV (grey). Threaded insert in austenitic stainless steel.
- Max recommended tightening torque: 1 Kgm (with knob) 2 Kgm (with screw).
- Packaging: 24 pieces.

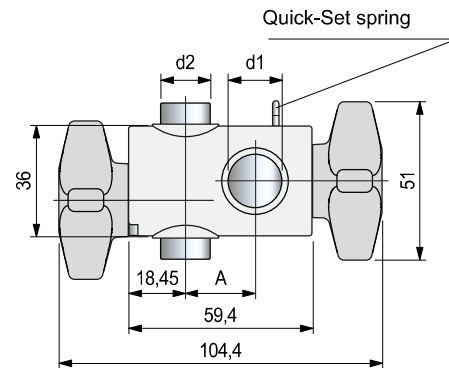
• Use of Part. S0661



Part. S0732



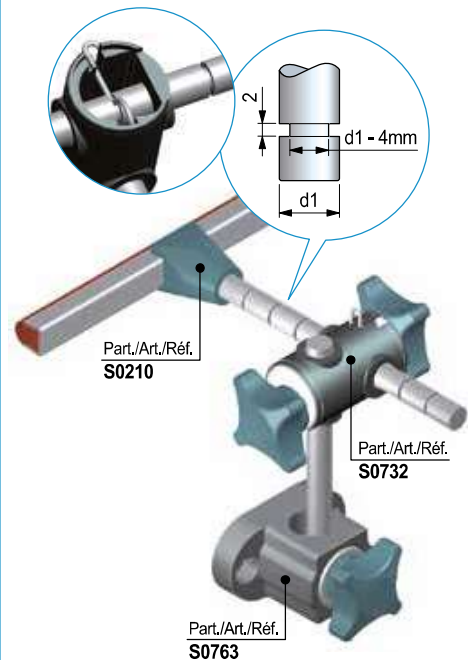
Cross clamp with Quick-Set



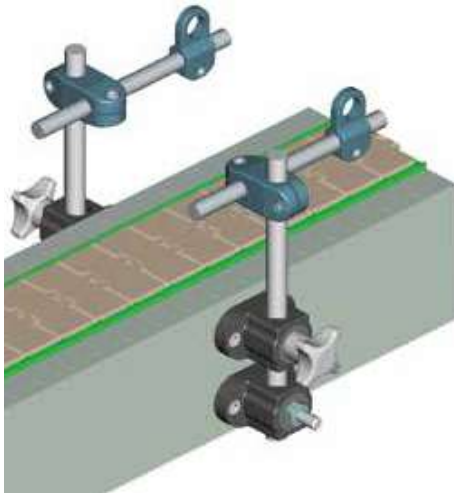
Pin dia. d1 with spring	Pin dia. d2	A	Code	Weight
mm	mm	mm		kg
12	12	24,1	692352N	0,18
12	16	24,1	692362N	
16	12	22	638703N	
16	16	22	692372N	

- Quick-Set spring on one of the two rods.
- Material: clamp and knobs in reinforced polyamide PA FV (black). Eyebolts in austenitic stainless steel.
- Max recommended tightening torque: 2 Kgm.
- Packaging: 24 pieces.

• Use of Part. S0732



- **T - clamp** Part. S0763
Available with nut or tightening knob.



- Can be used in combination with cross clamps Part. S0661 and S0732

Part./Art./Réf. **S0661**



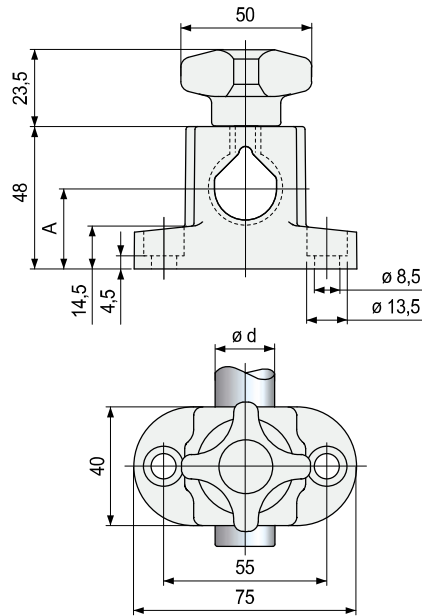
Part./Art./Réf. **S0732**



T - clamp with eyebolt

With nut

With knob



Part. **S0763**



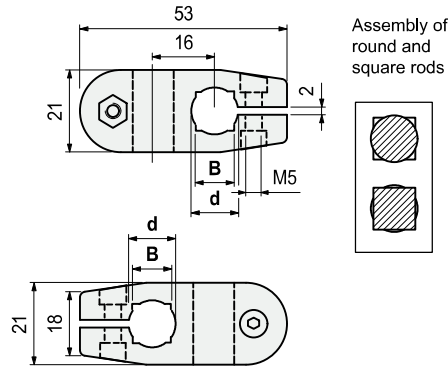
Version	Rod dia.		Code	Weight kg
	d mm	A mm		
with knob	20	27	610633	0,12

- Material: clamp and knob in reinforced polyamide PA FV (black). Threaded insert in nickel plated brass, nut, washer and eyebolt in austenitic stainless steel.
- Max recommended tightening torque: 4 Kgm.
- Packaging: 24 pieces.

Part. S0340



■ Cross clamp



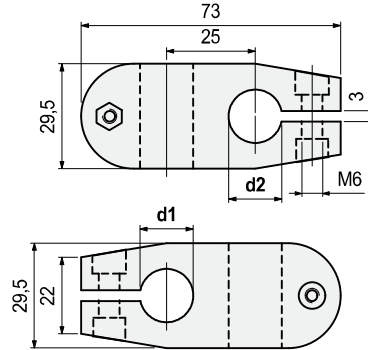
Tightening bolt material	Rod dia. d mm	Square rod B mm	Code	Weight kg
Austenitic stainless steel	10	8	68373	0,02
	12	10	68385	
Zinc plated steel	14	12	67375	
	12	10	627041	

- Material: clamp in reinforced polyamide PA FV (black).
- Max. recommended tightening torque: 0,5 Kgm.
- Packaging: 24 pieces.

Part. S0174



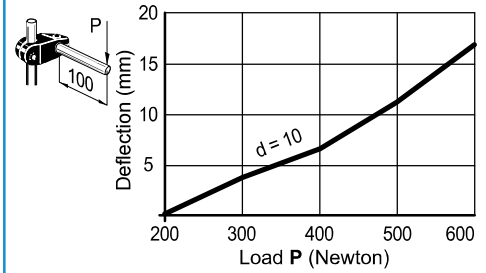
■ Cross clamp



Material	Rod dia. d1 mm	Rod dia. d2 mm	Code	Weight kg
Reinforced polyamide PA FV (black)	14	14	S017457941	0,07
	16	16	S017453781	

- Material: tightening bolt in austenitic stainless steel.
- Max recommended tightening torque: 1 Kgm (Part. S0174); 1,5 Kgm.
- Packaging: 24 pieces.

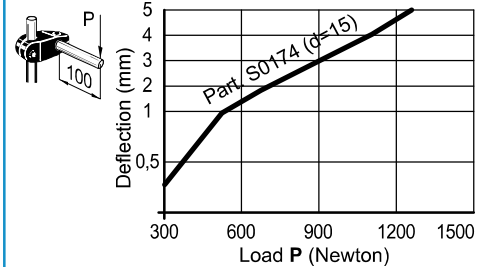
• Deflection of Part. S0340



• Technical data Part. S0340

- sliding load: 1200 N
- rotation load: 5 N/m
- Tests performed at tightening torque: 0,5 Kgm

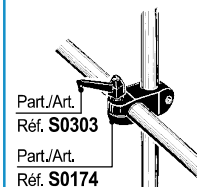
• Deflection of Part. S0174 - S0174R



• Technical data Part. S0174

- sliding load: 2500 N (width d = 14 - 15 - 16)
2800 N (width d = 18)
- rotation load: 13 N/m
- Tests performed at tightening torque: 1 Kgm

• Assembly of Part. S0174 with ratchet handle



Part./Art.
Réf. S0303

Part./Art.
Réf. S0174

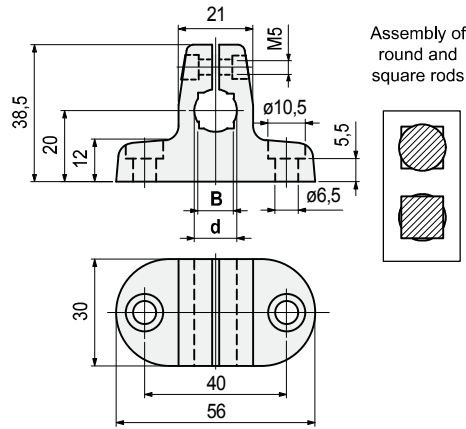
Can be applied with the ratchet handle Part. S0303 (code 60922), instead of the standard hardware.

Lined area for notes, consisting of approximately 35 horizontal lines.

Part. **S0339**



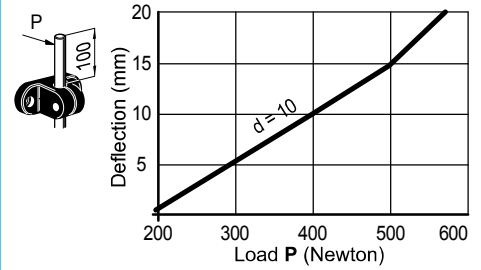
■ T-clamp



Tightening bolt material	Rod dia. d mm	Square rod B mm	Code	Weight kg
Austenitic stainless steel	10	8	68363	0,03
	12	10	68375	
	14	12	67365	
Zinc plated steel	12	10	627011	

- Material: clamp in reinforced polyamide PA FV (black).
- Max. recommended tightening torque: 0,5 Kgm.
- Packaging: 24 pieces.

• Deflection of Part. S0339

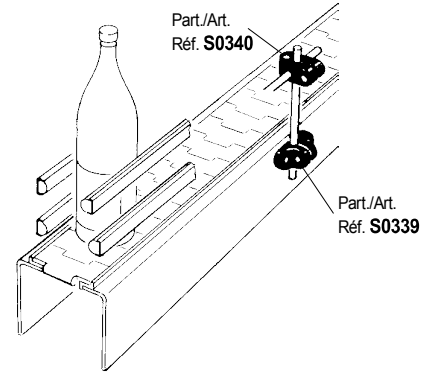


• Technical data Part. S0339

- sliding load: 650 N
- rotation load: 5 N/m
- Tests performed at tightening torque: 0,5 Kgm

• Assembly of Part. S0339

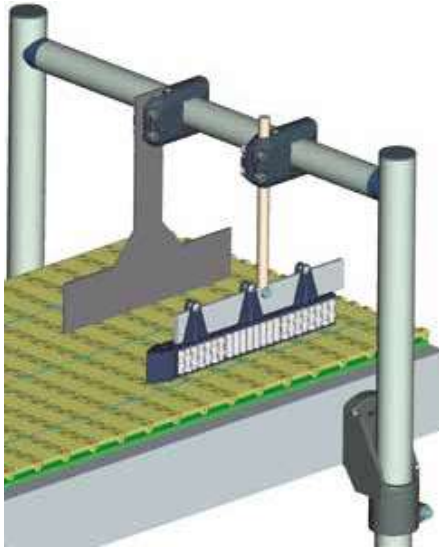
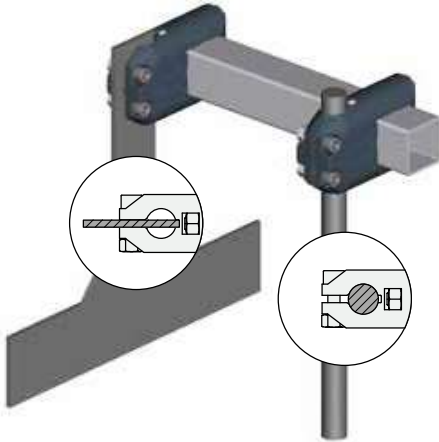
Can be used in combination with Part. S0340



• Characteristics of Part. S0786

Are indicated for end-line applications, to support centre guide or dividers, to separate and align containers before packing area.

• Use of Part. S0786 (for square and round tubes)

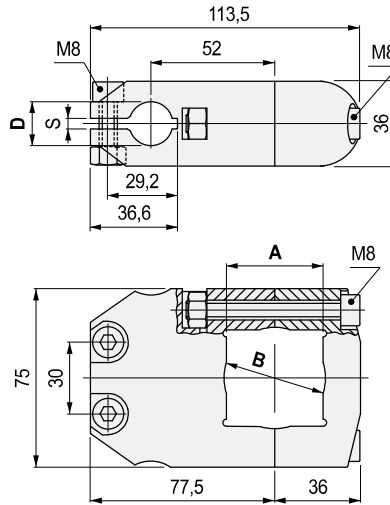


• Use of Part. S0786 (for square and round tubes)



Ratchet handle
spare part code
S0303622433

■ Cross clamp

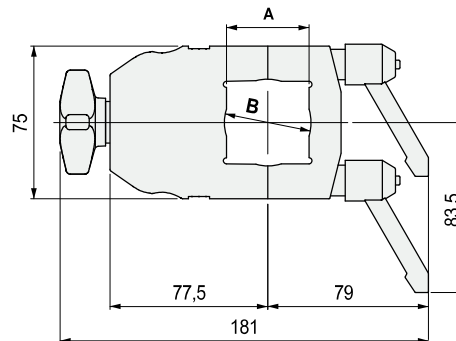


Square tube A mm	Round tube B mm	Round rod D mm	Plate S mm	Code	Weight kg
40	42,4	20	4	621783	0,27

- Material: clamp in reinforced polyamide PA FV (black), tightening screws in austenitic stainless steel, nuts in nickel plated brass.
- Max recommended tightening torque: 2 Kgm.
- Packaging: 8 pieces.

■ Cross clamp

With knob and ratchet handles



Square tube A mm	Round tube B mm	Rod dia. C mm	d1 mm	Code	With handles and knob Weight kg
40	42,4	52	20	622423	0,30

- Material: clamp in reinforced polyamide PA FV (black), tightening screws in austenitic stainless steel.
- Ratchet handle: handle in reinforced polyamide in PA FV (black), spindle in zinc plated steel.
- Max recommended tightening torque: 2 Kgm.
- Packaging: 8 pieces.

Part. S0786



Part. S0786



Resistance against chemical agents	POLYAMIDE	POLYPROPYLENE	POLYETHYLENE	ACETAL	AISI 303	AISI 316	NICKEL PLATED	NBR	VITON
	PA	PP	PE	POM	AISI 304		BRASS	RUBBER	RUBBER
CHEMICAL AGENT	Conc.% 23°C	Conc.% 23°C	Conc.% 23°C	Conc.% 23°C	Conc.% 23°C	Conc.% 23°C	Conc.% 23°C	Conc.% 23°C	Conc.% 23°C
PHENOL	-	+			10 +	+		-	+
PHOSFORIC ACID	10 -	85 +	95 +	10 -	10 -	50 /	-	20 /	85 +
POTASSIUM HYDROXIDE	10 +				50 +	50 +		/	+
SEA WATER	+	+	+	/	+	+	+	+	+
SILICONE OIL	+	+						+	+
SILVER NITRATE	+	20 +			60 /			/	+
SOAP AND WATER	+	+	+	+	+			+	
SODIUM CARBONATE	10 +	Sat. +	+	+	5 +	100 +		+	+
SODIUM CHLORIDE	10 +	Sat. +	+	+	5 +	/	+	+	Sat. +
SODIUM HYDROXIDE	10 +	30 +	+	10 +	-		+	/	
SODIUM HYPOCHLORITE	+	20 +	+	-	-			-	5 +
SODIUM SILICATE	+				100 +	100 +		+	
SODIUM SULPHATE	10 +	Sat. +	+	+	5 +	100 +		+	+
SOFT DRINKS	+	+	+	+	+		+	+	
SUDS	+	+						+	+
SULPHURIC ACID	10 -	98 +	40 /	40 -	10 -	100 +	+	-	95 +
TARTARIC ACID	+	10 +	+	30 /	10 +	50 +	-	+	+
TETRALINE	+	-						-	+
TINCTURE OF IODINE	-	+	+	+			-	/	
TRANSFORMER OIL	+	/						+	+
TRICHLOROETHYLENE	/	/	+	-	+		+	-	+
TURPENTINE	/	-	-	-	+			-	
VASELINE	+	+	/	+				+	+
VEGETABLE JUICES	+	+	+	+	+			+	
VEGETABLE OILS	+	+	+	+	+			+	
VINEGAR	+	+	+	+	+		+	/	-
WHISKY	+	+	+	+	+		+	+	+
WINE	+	+	+	+	+		+	+	+
XILOL	+	-	/	+	+		/	-	+
ZINC CHLORIDE	10 /	20 +			10 -	/		+	Sat. +

Abbreviations: Sat. = saturated.

Legend..

- + = Good resistance.
- / = Fairly good resistance (limited use depending on working conditions).
- = Poor resistance (not recommended).
- N.B. Where tests have not been carried out the spaces are left blank.

The data shown in this table..

are taken from laboratory tests, performed on unstrained test samples. It should be considered as purely indicative since material behaviour under real working conditions depends on different factors: temperature, concentration of the chemical agent, quick or long-lasting effect of the chemical agent.

Operating temperatures

Material	Description	Operating temperatures (°C)		
		Min	Max	Max
PA	Polyamid	0	+ 80	+ 65
PA FV	Reinforced polyamid	- 5	+ 120	+ 100
PP	Polypropylene	+ 5	+ 105	+ 105
PP FV	Reinforced polypropylene	+ 5	+ 115	+ 115
PE (UHMWPE)	Polyethylene	- 40	+ 80	+ 70
POM	Acetal	- 40	+ 80	+ 65
Rex-LF®	Acetal	- 40	+ 80	+ 65
AISI 303 - AISI 304	Austenitic stainless steel (18/8)	- 70	+ 430	+ 120
Fe Zn	Zinc plated steel	- 40	+ 180	-
OT	Nickel plated brass	- 40	+ 180	+ 120

	Page.		Page.		Page.		Page.
Part. S0000	S109	Part. S0275	S025	Part. S0580	S064	Part. S0766	S022
Part. S0050	S098	Part. S0275	S087	Part. S0581	S060	Part. S0767	S020
Part. S0061	S110	Part. S0280	S125	Part. S0581	S061	Part. S0767	S052
Part. S0063	S083	Part. S0296	S058	Part. S0594	S045	Part. S0768	S020
Part. S0070	S096	Part. S0298	S101	Part. S0599	S103	Part. S0768	S052
Part. S0071	S096	Part. S0303	S143	Part. S0611	S127	Part. S0770	S051
Part. S0073	S028	Part. S0308	S046	Part. S0612	S152-S153	Part. S0771	S043
Part. S0075	S154	Part. S0317	S048	Part. S0613	S033	Part. S0782	S030
Part. S0082P	S094	Part. S0337	S140	Part. S0614	S033	Part. S0784	S007
Part. S0107	S103	Part. S0338	S113	Part. S0615	S126	Part. S0786	S121
Part. S0126	S028	Part. S0339	S120	Part. S0616	S129	Part. S0787	S030
Part. S0128	S082-S083	Part. S0340	S118	Part. S0617	S104	Part. S0814	S010
Part. S0137	S132	Part. S0341	S136	Part. S0618	S127	Part. S0822	S004
Part. S0140	S104	Part. S0342	S136	Part. S0619	S128	Part. S0825	S004
Part. S0153	S027	Part. S0346	S050	Part. S0632	S105	Part. S0826	S031
Part. S0159	S095	Part. S0356	S021	Part. S0634	S010	Part. S0827	S031
Part. S0174	S118	Part. S0362	S007	Part. S0637	S106	Part. S0837	S156
Part. S0182	S144	Part. S0366	S014	Part. S0642	S056	Part. S0840	S006
Part. S0183	S144	Part. S0367	S014	Part. S0643	S056	Part. S0846	S148
Part. S0184	S100	Part. S0368	S015	Part. S0645	S057	Part. S0847	S148
Part. S0185	S145	Part. S0369	S012	Part. S0654	S045	Part. S0848	S148
Part. S0190	S100	Part. S0369	S054	Part. S0657	S035	Part. S0849	S148
Part. S0191	S058	Part. S0371	S017	Part. S0661	S116	Part. S0850-S0865	S148
Part. S0192	S108	Part. S0372	S138	Part. S0662	S097	Part. S0852	S081
Part. S0198	S124	Part. S0378	S059	Part. S0672	S146	Part. S0854	S081
Part. S0199	S122	Part. S0387	S008	Part. S0674	S011	Part. S0856	S078
Part. S0210P	S086	Part. S0393	S047	Part. S0685	S135	Part. S0857	S079
Part. S0211	S087	Part. S0421	S029	Part. S0686	S134	Part. S0858	S016
Part. S0213	S088	Part. S0422	S054	Part. S0692	S114	Part. S0862	S107
Part. S0213	S088	Part. S0518	S139	Part. S0694	S090	Part. S0864	S148
Part. S0215	S025	Part. S0523	S037	Part. S0698	S097	Part. S0868	S070
Part. S0215	S091	Part. S0523	S037	Part. S0699	S115	Part. S0868	S072
Part. S0217	S090	Part. S0524	S036	Part. S0708	S102	Part. S0869	S071
Part. S0218	S085	Part. S0533	S039	Part. S0715	S043	Part. S0869	S073
Part. S0219	S049	Part. S0535	S065	Part. S0725	S111	Part. S0885	S013
Part. S0223	S023	Part. S0537	S065	Part. S0729	S036	Part. S0885	S015
Part. S0223	S048	Part. S0539	S057	Part. S0732	S116	Part. S0902	S024
Part. S0226	S112	Part. S0550	S018	Part. S0736	S089	Part. S0903	S024
Part. S0237	S092	Part. S0554	S032	Part. S0737	S089	Part. S0903	S091
Part. S0241	S003	Part. S0555	S034	Part. S0754	S075	Part. S0905	S150-S151
Part. S0243	S003	Part. S0556	S032	Part. S0755	S067	Part. R0098	R10-R11
Part. S0244	S006	Part. S0557	S062	Part. S0755	S069	Part. R0133	R14-R15
Part. S0247	S049	Part. S0562	S130	Part. S0756	S074	Part. R0134	R20
Part. S0247	S092	Part. S0563	S130	Part. S0756	S076	Part. R0173	R08-R09
Part. S0251	S005	Part. S0564	S131	Part. S0757	S066	Part. R0180	R40
Part. S0256	S107	Part. S0565	S042	Part. S0757	S068	Part. R0224	R41
Part. S0260	S140	Part. S0567	S146	Part. S0758	S034	Part. R0297	R21
Part. S0261	S005	Part. S0568	S147	Part. S0760	S080	Part. R0323	R12-R13
Part. S0262	S002	Part. S0569	S147	Part. S0763	S117	Part. R0349	R34
Part. S0272	S142	Part. S0570	S063	Part. S0765	S021	Part. R0406	R39
Part. S0273	S053	Part. S0580	S062	Part. S0765	S053	Part. R0408	R35

Numerical Index

	Page.		Page.
Part. R0479	R16-R17	Part. UCF/C	B04
Part. R0622	R26-R27	Part. UCF/CL	B06
Part. R0623	R28-R29	Part. UCFB	B30
Part. R0626	R22-R23	Part. UCFB/C	B28
Part. R0627	R23-R25	Part. UCFC	B40
Part. R0628	R30-R31	Part. UCFC/C	B38
Part. R0629	R32-R33	Part. UCFL	B20
Part. R0747	R36	Part. UCFL/C	B18
Part. R0747F	R37	Part. UCFLN	B16
Part. R0748	R36	Part. UCFLN/C	B14
Part. R0748F	R37	Part. UCFS/C	B10
Part. R0749	R36	Part. UCP	B24
Part. R0750S	R38	Part. UCP/C	B22
Part. R0750SF	R38	Part. UCPA/C	B26
Part. R0869	R18-R19	Part. UCT/C	B36
Part. F	B12		
Part. HCF	B08		
Part. HCF/C	B04		
Part. HCF/CL	B06		
Part. HCFB	B30		
Part. HCFB/C	B28		
Part. HCFL	B20		
Part. HCFL/C	B18		
Part. HCFLN	B16		
Part. HCFLN/C	B14		
Part. HCFS/C	B10		
Part. HCP	B24		
Part. HCP/C	B22		
Part. HCPA/C	B26		
Part. HCT/C	B36		
Part. SBF	B42		
Part. SF	B12		
Part. SHCF	B08		
Part. SHCF/C	B04		
Part. SHCF/CL	B06		
Part. SHCFL	B20		
Part. SHCFL/C	B18		
Part. SHCFLN	B16		
Part. SHCFLN/C	B14		
Part. SHCFS/C	B10		
Part. SQL	B34		
Part. SQL/C	B32		
Part. SUCF	B08		
Part. SUCF/C	B04		
Part. SUCF/CL	B06		
Part. SUCFL	B20		
Part. SUCFL/C	B18		
Part. SUCFLN	B16		
Part. SUCFLN/C	B14		
Part. SUCFS/C	B10		
Part. UCF	B08		

Why Choose Rexnord?

When it comes to providing highly engineered products that improve productivity and efficiency for industrial applications worldwide, Rexnord is the most reliable in the industry. Commitment to customer satisfaction and superior value extend across every business function.

Delivering Lowest Total Cost of Ownership

The highest quality products are designed to help prevent equipment downtime and increase productivity and dependable operation.

Valuable Expertise

An extensive product offering is accompanied by global sales specialists, customer service and maintenance support teams, available anytime.

Solutions to Enhance Ease of Doing Business

Commitment to operational excellence ensures the right products at the right place at the right time.



REXNORD

Rexnord Company Overview

Rexnord is a growth-oriented, multi-platform industrial company with leading market shares and highly trusted brands that serve a diverse array of global end markets.

Process & Motion Control

The Rexnord Process & Motion Control platform designs, manufactures, markets and services specified, highly engineered mechanical components used within complex systems where our customers' reliability requirements and the cost of failure or downtime are extremely high.

Water Management

The Rexnord Water Management platform designs, procures, manufactures and markets products that provide and enhance water quality, safety, flow control and conservation.