

# TableTop and MatTop Products

Issue 17



**FlatTop Catalog**

Download the most up-to-date  
version at [www.rexnord.com](http://www.rexnord.com)

# Customer-focused Solutions. Reliable Performance. Trusted Brands.

Rexnord® TableTop® Chains

Rexnord® MatTop® Chains

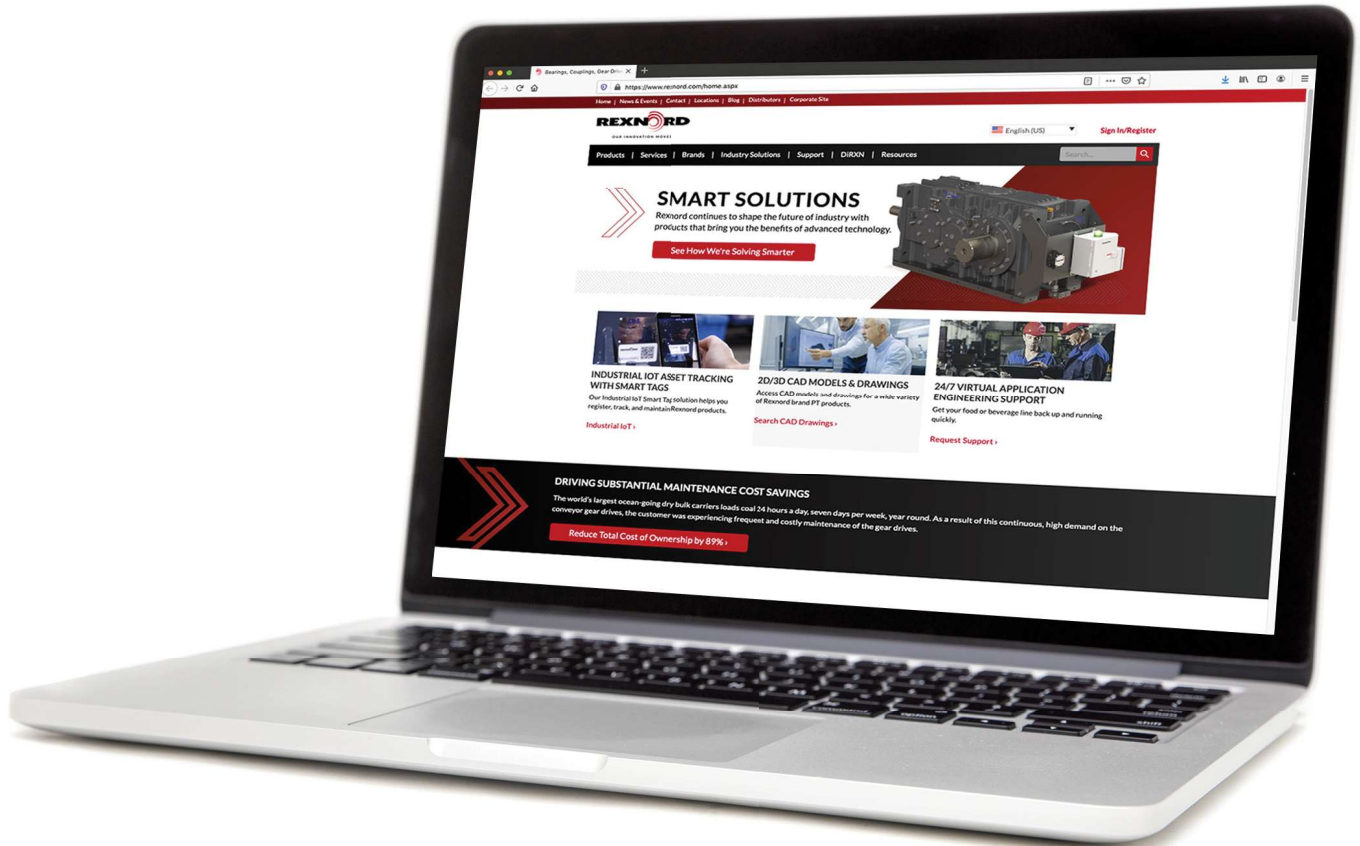
Rexnord® Materials

Rexnord® FlatTop conveyor chains and components are leading edge solutions designed to continuously improve productivity for customers in every application. With more than 120 years of experience, Rexnord offers the broadest selection of high quality chains, components, sprockets and accessories available in the world. Our team of experienced application engineers and industry experts is committed to helping you select the ideal product for your application.

Our dedication to new product development enables us to provide innovative product solutions for our customers' most demanding application requirements. Every chain, belt and component stamped with a Rexnord® brand has undergone extensive research and quality testing, ensuring our customers' conveying needs will be met with the most economical, efficient and reliable means possible.

# Conveniently Accessible Online Information

We realize the success of your business depends on up-to-date product information, superior technical support and customer service. Please visit our website, [www.rexnord.com](http://www.rexnord.com), for additional product information, useful tools such as our distributor locator, and technical support options to help your business succeed.



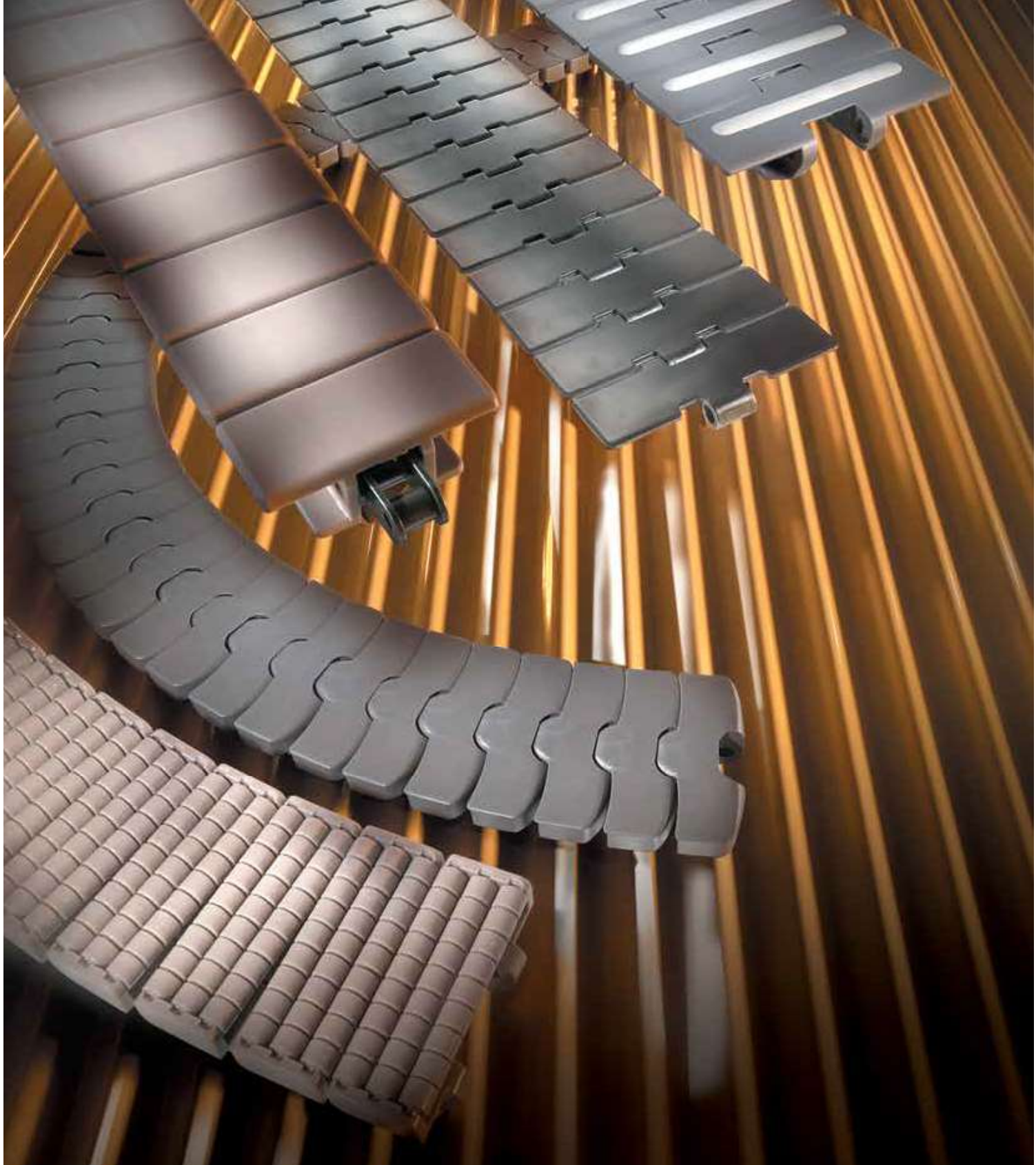
Dimensions are subject to change.

Certified dimensions of ordered products are furnished upon request.

The contents of this catalog may not be reproduced in whole or in part without consent of the copyright owner. Rexnord is continually investigating methods of improving products and introducing new technologies, and therefore reserves the right to modify data and features shown in this catalog at any time.

For updated information, please visit our web site at [www.rexnord.com](http://www.rexnord.com).





Rexnord® TableTop® chains are engineered to satisfy a wide range of conveyor applications for virtually any industry. A large selection of straight running and side-flexing chains are designed to convey flawlessly in even the most demanding environments. Chains formed from metal or molded from thermoplastic are perfect for

high strength and high speed applications. Narrow widths are ideal for multiple strand and variable speed conveyors. Chains with low backline pressure rollers minimize product damage. Several chain series couple traditional top plates with roller base chains for increased strength and precision.

# Rexnord® TableTop® Chains



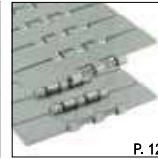
**Metal TableTop Chains - Straight Running**



P. 10  
Single Hinge



P. 15  
661 Series  
Double Hinge  
1" Pitch



P. 12  
Double Hinge

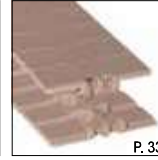
**Plastic TableTop Chains - Straight running**



P. 28  
Single Hinge



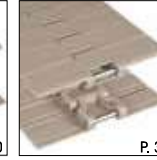
P. 29  
Single Hinge  
Joint Hinge



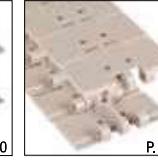
P. 33  
Single Hinge With  
Thick Top Plate



P. 30  
Double Hinge



P. 30  
Single Hinge  
Heavy Duty

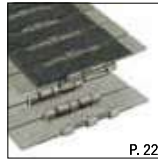


P. 38  
Single Hinge  
Vacuum

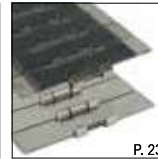
**Metal TableTop Chains - Straight Running With RubberTop**



P. 21  
Single Hinge



P. 22  
Double Hinge

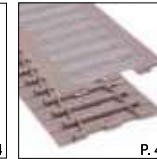


P. 23  
Single Hinge  
Heavy Duty

**Plastic TableTop Chains - Straight Running With RubberTop**



P. 44  
Plastic Single  
Hinge



P. 41  
Double Hinge

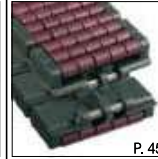
**LBP Chains - Straight Running**



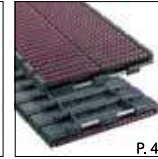
P. 42  
Plastic Single  
Hinge Heavy Duty



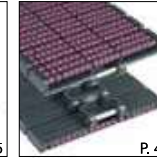
P. 42  
Double Hinge  
Super Grip



P. 45  
Single Hinge

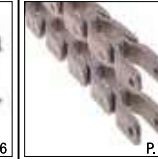


P. 45  
Double Hinge

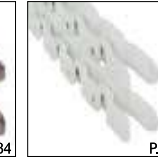


P. 46  
Single Hinge  
Heavy Duty

**Case Conveying Chain- Without Tab**



P. 84  
Straight Run  
Without Tabs



P. 85  
Straight Run  
Reinforced Without  
Tabs

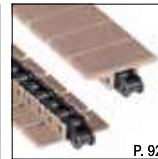
**PlateTop Chains - Straight Running**



P. 91  
1864

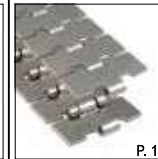


P. 91  
963

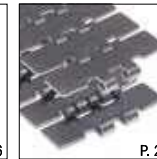


P. 92  
843

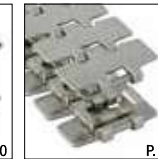
**Metal TableTop Chains - Side-Flexing**



P. 16  
Single Hinge  
Magnetflex®



P. 20  
661 Series  
Double Hinge  
1" Pitch

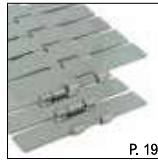


P. 18  
Single Hinge  
With Tab

**Plastic TableTop Chains - Side-Flexing**



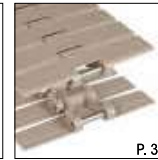
P. 17  
Single Hinge  
With Tab



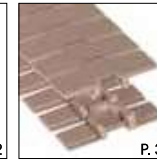
P. 19  
Single Hinge  
Heavy Duty  
Magnetflex



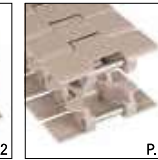
P. 31  
Single Hinge  
Magnetflex



P. 32  
Heavy Duty Hinge  
Magnetflex



P. 32  
Single Hinge  
With Bevel



P. 37  
Heavy Duty Hinge  
With Tab

**TableTop Side-Flexing Chains**



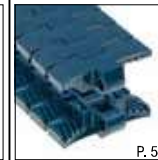
P. 34  
Single Hinge  
With Tab



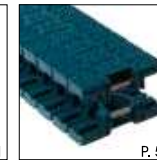
P. 36  
Single Hinge  
With Tab  
Small Radius



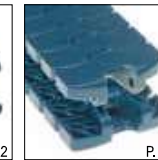
P. 39  
Single Hinge  
With Tab  
Small Radius  
With Pusher



P. 51  
Magnetflex



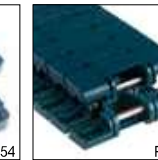
P. 52  
Flush Grid  
Magnetflex



P. 53  
Magnetflex  
Heavy Duty

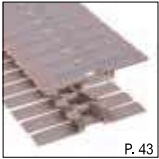


P. 54  
Magnetflex  
Heavy Duty  
With Tab



P. 50  
Magnetflex 1040

**Plastic TableTop Chains - Side-Flexing With RubberTop®**



P. 43

Heavy Duty Hinge With Tab



P. 43

Single Hinge With Tab



P. 44

Single Hinge With Tab Small Radius

**LBP Chains - Side-Flexing**



P. 44

Single Hinge With Tab Small Radius



P. 48

Single Hinge With Tab



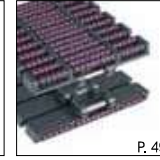
P. 48

Single Hinge Small Radius



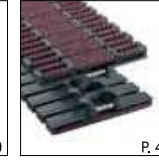
P. 49

Single Hinge With Tab



P. 49

Heavy Duty Hinge Magnetflex®



P. 49

Heavy Duty Hinge With Tab

**Multiflex Chains**



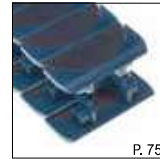
P. 74

1765 ZeroGap™



P. 74

1775 ZeroGap™



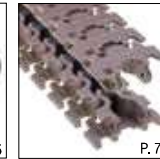
P. 75

1785 ZeroGap™



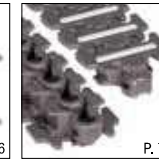
P. 75

2565 ZeroGap™



P. 76

1757TAB



P. 76

HP1757TAB-SG



P. 77

1700TAB



P. 78

1720

**Case Conveyor Chains**



P. 85

CC600TXL



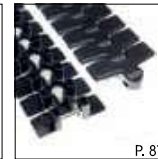
P. 85

CC1400XL



P. 86

CC1431TXL



P. 87

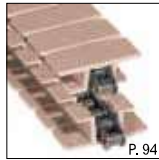
BSM2755

**PlateTop Chains - Side-Flexing**



P. 92

1843TAB



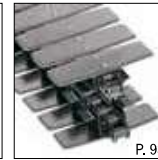
P. 94

1873TAB



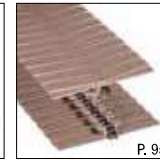
P. 95

LF1873TAB-SG



P. 93

1874TAB



P. 95

3873TAB

**PlateTop Gripper Chains - Side-Flexing**



P. 96

1843 GDB



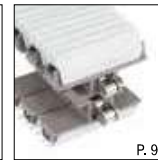
P. 97

1873 GSD



P. 97

1873 GS2J



P. 98

1873 GS3J



**In 1938 Rexnord introduced the worlds first metal TableTop chain with integrated top plate and hinge eyes. Nowadays the Rexnord product lines of steel slatband chains offer many materials, types and grades, enabling a solution for any application. Metal slatband chains are ideal for handling glass bottles, kegs, crates and many other products.**

## Features

### Surface finish

When products are sliding on a chain, the bottom will affect the surface finish of the chain. Rexnord tests have shown that during the first days after installation the initial surface finish is changing to a lower level that is maintained during the normal life of the chain. Surface finish is a valuable feature, although it is not the determining factor between good and great performance.

### Sliding properties

These depend on the base material and the treatments during the manufacturing process. To ensure superior sliding properties, Rexnord uses a number of chain materials, specifically designed for slatband chain applications. You can find more details on these materials on next page.

### Flatness

During the entire production process the flatness is measured in running direction (R) and in width direction (W). The flatness in width direction is important when products slide sideways from one chain to the other. For this reason the cross sections of all Rexnord chains are convex instead of concave, to prevent products to fall. Due to the careful control in production, these chains offer superior lateral flatness values, which can be found in the tables on the page of each chain.

Flatness when a product moves from one link of the chain to the next is also important, as poor flatness will cause products tipping, leading to production loss in the line. Rexnord metal slatband chains offer an outstanding flatness in running direction.

### Working load

At which load a chain is actually breaking is not relevant to determine if a certain chain is suitable for your application. More important is the maximum working load a chain can handle before permanent deformation occurs. Rexnords chain calculation program will assist in defining the right chain for specified applications, considering conveyor length, chain speed, accumulation level, lubrication, product type and weight.

### Polished hinge eyes

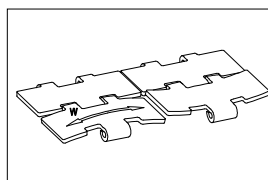
The performance of the chain on high-speed side-transfers, such as pressure-less combiners improves with polished hinge eyes, due to the smooth contact with the wearstrips. This prevents pulsating of the chain and improves product handling. Most Rexnord sideflexing chains have polished hinge eyes, because these are always in contact with the curve. The specification table of each chain indicates whether a chain has polished hinge eyes.

### Hardened Pins

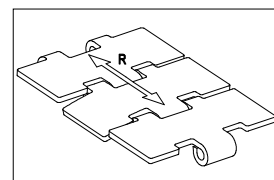
Hardened pin material reduces the chain elongation significantly. Special hardened pins will give the highest resistance to chain elongation over a long period of time. Special 66-Series XHB metal TableTop® with special hardened pins to offer superior wear resistance properties.

Series	Ra µm
Rexnord 60-Series	0,3
Rexnord 66-Series XHB	0,3
Rexnord SS-Series	0,5
Rexnord S-Series	not applicable

Mean surface finish of TableTop slatband chain



Flatness In Width Direction



Flatness In Running Direction

Flatness In Running Direction

Series	Flatness mm
Rexnord X-Line Chains	0,08
Rexnord Slideline Chains	0,10
Rexnord standard Chains	0,15
Rexnord SSC OPTI-Plus® Chains	0,10
Rexnord standard Chains	0,15



**Metal TableTop chains are available in the following materials:**

Rexnord	
SS 805/815/881	Austenitic chrome nickel stainless steel with properties similar to 18/8 material, offering good chemical resistance. These chains are fitted with pins in austenitic stainless steel
S/SC	Thorough hardened carbon steel, very suitable for glassworks and other dry, abrasive applications, offering extremely high working loads and superior wear resistance. These chains are fitted with hardened carbon steel pins

Rexnord chain description starts with the material, followed by an 8.. number for the type and finally the width.  
For example SSC8811TAB-4.5IN is an Opti-Plus sideflexing TAB 4 1/2" wide chain.

Rexnord	
60-Series	Special chrome nickel ferritic stainless steel for heavy duty and high-speed applications, requiring very smooth transfer of (unstable) products. It is offering superior sliding properties and the highest working loads. These chains are fitted with pins in AISI 431(1.4057) material
66-Series XHB	Special chrome nickel ferritic stainless steel for heavy duty and high-speed applications, requiring very smooth transfer of (unstable) products. It is offering superior sliding properties and the highest working loads. Furthermore the 66-series offers ultimate wearlife. These chains are fitted with special alloy process hardened pins.
661-Series	The 1" pitch chain design offers: Special chrome nickel ferritic stainless steel for heavy duty and high-speed applications, requiring very smooth transfer of (unstable) products. It is offering superior sliding properties and high working loads. Furthermore the 661-series offers ultimate wearlife.

The chain description starts with the material, followed by an S for straight running, M for Magnetflex, followed by the width and finally the execution: S for Slideline, X for X-line, M for Max-Line and R for Rubber.  
For example 60 S 31 XM is a 60-Series straight running 3/4" wide chain with Max-Line and X-Line.

- X-line** Chains have extreme precision flatness and superior sliding properties.
- Slideline** Chains offer very close tolerances with respect to flatness and surface finish.
- Max-line** Chains take care of perfect product support, thanks to maximum plate surface.

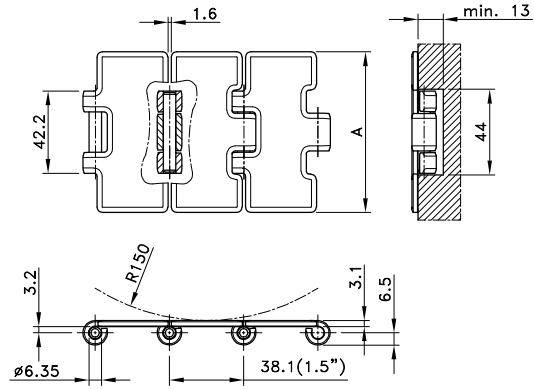
**Application**

Chain Material	Mass Handling	Inliner Standard	Inliner High-Speed	Abrasive Wet	Abrasive Dry	Chemicals	Incline	Crate Handling
60-Series								
66-Series XHB								
661-Series								
SS 815/805/881								
Rubber Top								

Optional	Best choice
----------	-------------

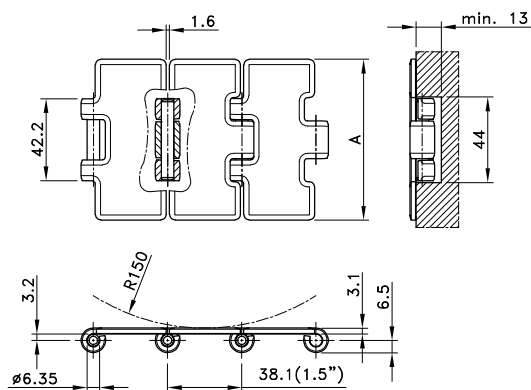


# Straight Run Single Hinge Max-Line



Chain Type	Code Number	Plate Width		Weight	Surface Flatness (max.)	Polished Hinge Eyes	Working Load (max.)
		A					
		mm	inch	kg/m	mm		N
<b>60-Series</b>							
60S31M	10139386	82.5	3.25	2.61	0.18	no	<b>6000</b>
60S31XM	10139394	82.5	3.25	2.61	0.08	yes	
60S84XM	10139395	84.0	3.30	2.63	0.08	yes	
60S42M	10139388	114.3	4.50	3.28	0.25	no	
60S72M	10139389	190.5	7.50	4.99	0.60	no	

## Straight Run Single Hinge Max-Line (continued)

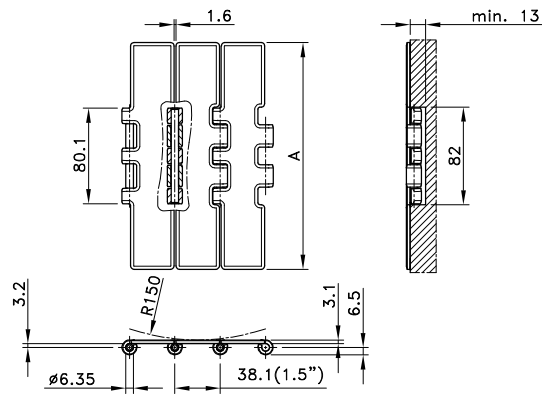


Chain Type	Code Number	Plate Width		Weight	Surface Flatness (max.)	Polished Hinge Eyes	Working Load (max.)
		A					
		mm	inch				
<b>66-Series XHB</b>							
66S31XM XHB	10139367	82.5	3.25	2.61	0.08	yes	6000
66S84XM XHB	10139368	83.8	3.30	2.63	0.08	yes	
66S72M XHB	10375156	190.5	7.50	4.99	0.60	no	
<b>Carbon Steel</b>							
S815-4.5IN	10139401	114.3	4.50	3.28	0.60	no	8350
<b>Austenitic Chrome Nickel</b>							
SS815-3.25IN	10139376	82.5	3.25	2.61	0.18	no	3500
SS815-4.5IN	10139380	114.3	4.50	3.28	0.25	no	

Standard length: 3.048 m - 10 feet (80 links).



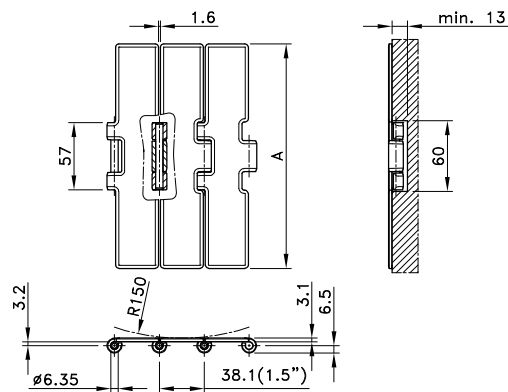
## Straight Run Double Hinge Max-Line



Chain Type	Code Number	Plate Width		Weight	Surface Flatness (max.)	Polished Hinge Eyes	Working Load (max.)
		mm	inch				
<b>66-Series</b>							
66S77M	10375158	190.5	7.50	5.64	0.60	no	8900
<b>Opti-Plus</b>							
SSC802-7.5IN	10068061	190.5	7.50	5.64	0.60	no	8900

Standard length: 3.048 m - 10 feet (80 links).

## Straight Run Heavy Duty Max-Line



Chain Type	Code Number	Plate Width		Weight	Surface Flatness (max.)	Polished Hinge Eyes	Working Load (max.)
		mm	inch				
<b>60-Series</b>							
60S75M	10375097	190.5	7.50	5.10	0.60	no	7000
<b>66-Series</b>							
66S75M	10375157	190.5	7.50	5.10	0.60	no	7000

Standard length: 3.048 m - 10 feet (80 links).

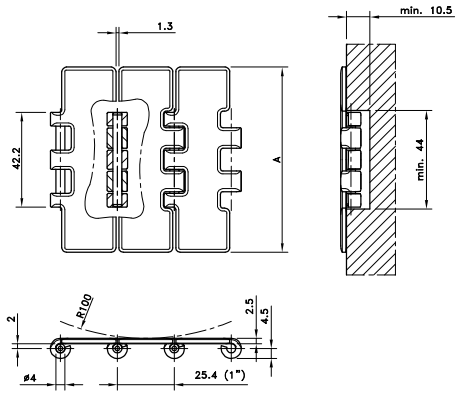
NOTE: 60 S 75 M is recommended for medium duty applications, 66 S 75 M is recommended for heavy duty applications.







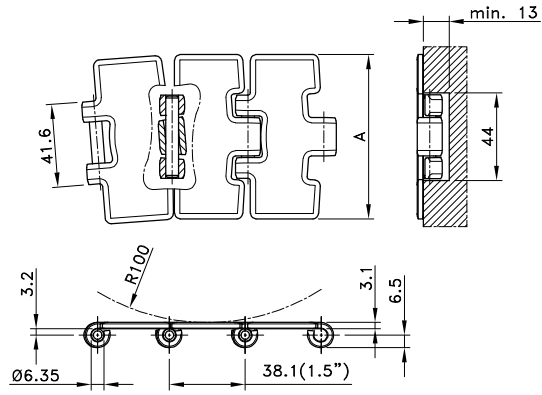
# Straight Run Double Hinge Max-Line 1”



Chain Type	Code Number	Plate Width		Weight	Surface Flatness (max.)	Polished Hinge Eyes	Working Load (max.)
		A					
		mm	inch				
<b>661-Series</b>							
661S84SM	10375162	83.8	3.30	1.97	0.10	yes	5100

Standard length: 3.048 m – 10 feet (120 links).

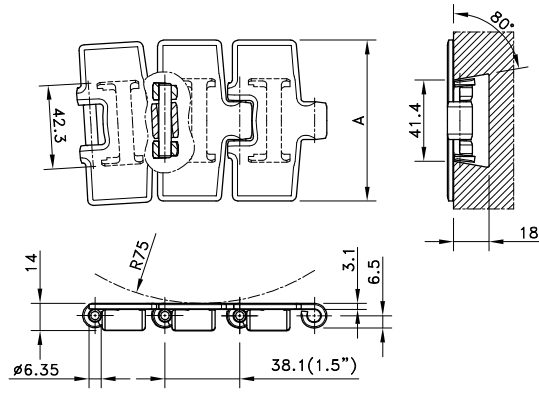
# Magnetflex® Single Hinge Max-Line



Chain Type	Code Number	Plate Width A		Weight kg/m	Surface Flatness (max.) mm	Polished Hinge Eyes	Working Load (max.) N
		mm	inch				
<b>60-Series</b>							
60M31M	10139435	82.5	3.25	2.50	0.18	yes	6000
60M31XM	10139438	82.5	3.25	2.50	0.08	yes	
60M84XM	10139439	83.8	3.30	2.52	0.08	yes	
60M72M	10139437	190.5	7.50	4.59	0.60	yes	
<b>66-Series XHB</b>							
66M31XM XHB	10139430	82.5	3.25	2.50	0.08	yes	6000
66M84XM XHB	10139431	83.8	3.30	2.52	0.08	yes	

Standard length: 3.048 m - 10 feet ( 80 links). Sideflex radius min. 500 mm.

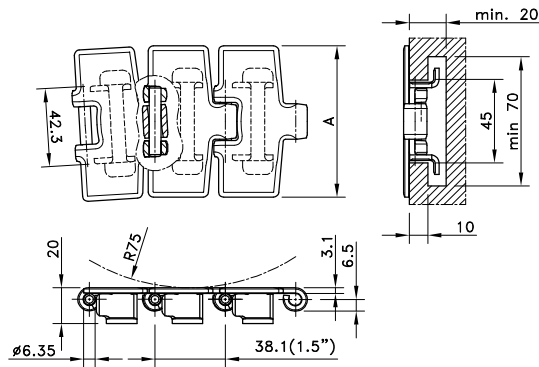
## Sideflex Single Hinge Bevel



Chain Type	Code Number	Plate Width A		Weight kg/m	Surface Flatness (max.) mm	Polished Hinge Eyes	Working Load (max.) N
		mm	inch				
<b>Austenitic Chrome Nickel</b>							
SS881B-4.5IN	10139420	114.3	4.50	3.71	0.25	no	3500

Standard length: 3.048 m - 10 feet (80 links).  
Sideflex radius min. 500 mm.

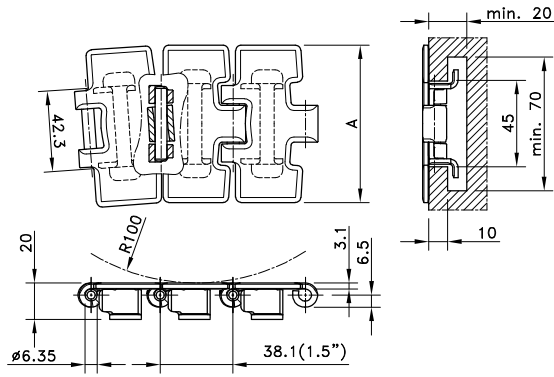
## Sideflex Single Hinge Tab



Chain Type	Code Number	Plate Width A		Weight kg/m	Surface Flatness (max.) mm	Polished Hinge Eyes	Working Load (max.) N
		mm	inch				
<b>Austenitic Chrome Nickel</b>							
SS881TAB-4.5IN	10139417	114.3	4.50	3.71	0.25	no	3500
SS881TAB-7.5IN	10139418	190.5	7.50	5.49	0.60	no	

Standard length: 3.048 m - 10 feet (80 links).  
Sideflex radius min. 500 mm.

# Sideflex Single Hinge Tab Max-Line

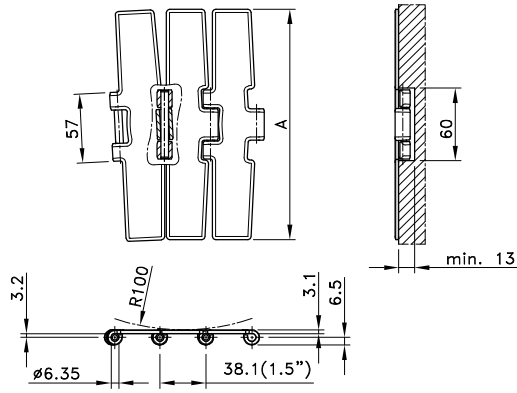


Chain Type	Code Number	Plate Width		Weight	Surface Flatness (max.)	Polished Hinge Eyes	Working Load (max.)
		A					
		mm	inch	kg/m	mm		N
<b>Opti-Plus</b>							
SSC8811TAB-3.25IN	10068068	82.5	3.25	3.10	0.18	no	6000
SSC8811TAB-4.5IN	10068069	114.3	4.50	3.80	0.25	no	
SSC8811TAB-7.5IN	10068070	190.5	7.50	5.50	0.60	no	

Standard length: 3.048 m - 10 feet ( 80 links).  
Sideflex radius min. 500 mm.



# Magnetflex® Heavy Duty Max-Line



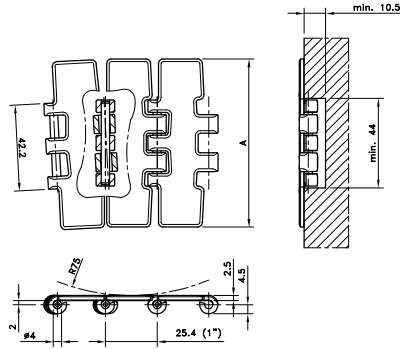
Chain Type	Code Number	Plate Width		Weight	Surface Flatness (max.)	Polished Hinge Eyes	Working Load (max.)
		A					
		mm	inch				
<b>60-Series</b>							
60M75M	10374937	190.5	7.50	5.03	0.60	yes	7000
<b>66-Series</b>							
66M75M	10375100	190.5	7.50	5.03	0.60	yes	7000

Standard length: 3.048 m - 10 feet (80 links).

Sideflex radius min. 750 mm.

NOTE: 60 M 75 M is recommended for medium duty applications, 66 M 75 M is recommended for heavy duty applications.

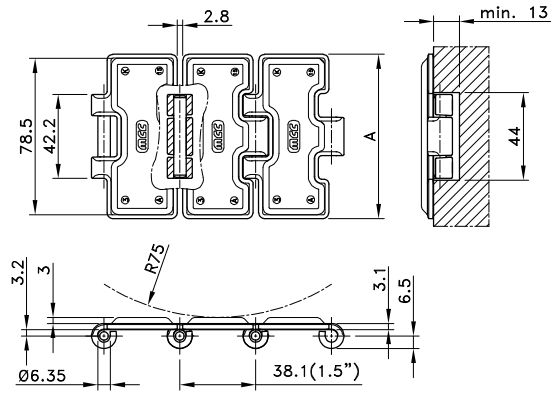
# Magnetflex® Double Hinge Max-Line 1”



Chain Type	Code Number	Plate Width		Weight	Surface Flatness (max.)	Polished Hinge Eyes	Working Load (max.)
		A					
		mm	inch	kg/m	mm		N
<b>661-Series</b>							
661M84SM	10375109	83.8	3.30	1.97	0.10	yes	5100

Standard length: 3,048 m – 10 feet (120 links).  
Sideflex radius min. 500 mm.

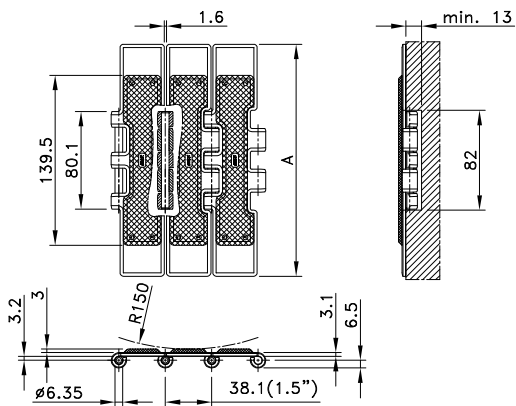
# Straight Run Single Hinge RubberTop®



Chain Type	Code Number	Plate Width		Weight	Polished Hinge Eyes	Working Load (max.)
		A				
		mm	inch	kg/m	N	
<b>66-Series</b>						
66S31R	10139365	82.5	3.25	2.80	no	6000

Standard length: 3.048 m - 10 feet (80 links).

# Straight Run Double Hinge Max-Line RubberTop®



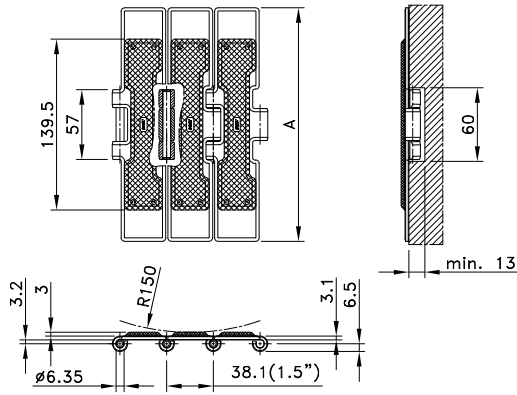
Chain Type	Code Number	Plate Width		Weight	Polished Hinge Eyes	Working Load (max.)
		A				
		mm	inch	kg/m	N	
<b>66-Series</b>						
66S77RM	10139366	190.5	7.50	6.20	no	8900

Standard length: 3.048 m - 10 feet (80 links).



Metal TableTop® Chains with RubberTop®

# Straight Run Heavy Duty Max-Line RubberTop®

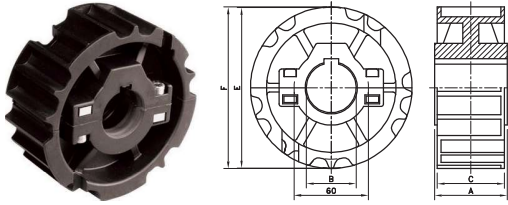


Chain Type	Code Number	Plate Width A		Weight kg/m	Polished Hinge Eyes	Working Load (max.) N
		mm	inch			
<b>66-Series</b>						
66S75RM	10139128	190.5	7.50	5.21	no	7000

Standard length: 3.048 m - 10 feet (80 links).



## NS815



Sprocket Type	Code Number	Number of Teeth	Bore	Pitch Diameter	Outside Diameter	Width (Teeth)	Hub Width	Hub Diameter
			B	E	F	C	A	H
			mm/inch	mm	mm	mm	mm	mm

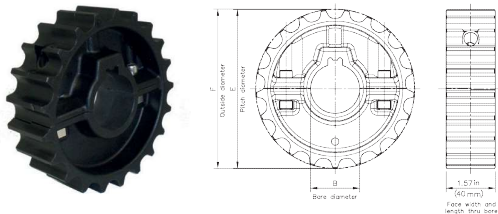
### Split Sprockets, Injection Moulded - NS 815

Metric Bores								
NS815-21T_25MM_1KW_PA	10334394	21	25	129.3	129.5	52	51	60
NS815-21T_30MM_1KW_PA	10334395	21	30					
NS815-21T_35MM_1KW_PA	10334396	21	35					
NS815-21T_40MM_1KW_PA	10334397	21	40					
NS815-21T_45MM_1KW_PA	10334398	21	45	141.2	142.0			
NS815-23T_25MM_1KW_PA	10334400	23	25					
NS815-23T_30MM_1KW_PA	10334401	23	30					
NS815-23T_35MM_1KW_PA	10334402	23	35					
NS815-23T_40MM_1KW_PA	10334403	23	40					
NS815-23T_45MM_1KW_PA	10334404	23	45	153.2	154.2	54.0	58.5	
NS815-25T_25MM_1KW_PA	10334406	25	25					
NS815-25T_30MM_1KW_PA	10131628	25	30					
NS815-25T_35MM_1KW_PA	10131629	25	35					
NS815-25T_40MM_1KW_PA	10334409	25	40					
NS815-25T_45MM_1KW_PA	10334410	25	45					

Inch Bores								
NS815-21T_1IN_1KW_PA	10177474	21	1.00"	129.3	129.5	52.0	51.0	60
NS815-21T_1-1/4IN_1KW_PA	10328297	21	1.25"					
NS815-23T_1IN_1KW_PA	10403007	23	1.00"	141.2	142.0			
NS815-23T_1-1/4IN_1KW_PA	10328298	23	1.25"					
NS815-25T_1IN_1KW_PA	10609043	25	1.00"	153.2	154.2	54.0	58.5	
NS815-25T_1-1/4IN_1KW_PA	10328299	25	1.25"					
NS815-25T_1-1/2IN_1KW_PA	10328188	25	1.50"					

For steel chain series: **Rexnord:** 812 (except TAB and mini hinge), 815, single hinge straight run, single hinge Magnetflex. Note: not for heavy duty tab.  
\* Ask customer service for minimum order quantity. Box order quantity is 10 pieces.

## NSH815



Sprocket Type	Code Number	Number of Teeth	Pitch Diameter	Outside Diameter	Width	Hub Width	Shaft Size	Equivalent of KUS 815
			in-mm	in-mm	in-mm	in-mm	in-mm	

### Split moulded sprocket NSH 815

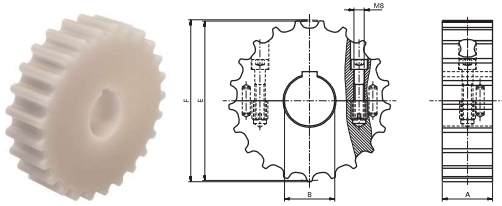
NSH815-21T_30MM_1KW_PA	10330167	21	5.09 / 129.3	5.11 / 130.0	1.57 / 40	1.57 / 40	1.18 / 30	753.62.23
NSH815-21T_40MM_1KW_PA	10330169	21	5.09 / 129.3	5.11 / 130.0	1.57 / 40	1.57 / 40	1.57 / 40	753.62.43
NSH815-25T_40MM_1KW_PA	10330165	25	6.03 / 153.2	6.05 / 153.9	1.57 / 40	1.57 / 40	1.57 / 40	753.62.45

### Split moulded sprocket NSH 815 with M8 setscrew

NSH815-21T_30MM_1KW1SS_PA	10330168	21	5.09 / 129.3	5.11 / 130.0	1.57 / 40	1.57 / 40	1.18 / 30	753.62.23
NSH815-21T_40MM_1KW1SS_PA	10330170	21	5.09 / 129.3	5.11 / 130.0	1.57 / 40	1.57 / 40	1.57 / 40	753.62.43
NSH815-25T_40MM_1KW1SS_PA	10330166	25	6.03 / 153.2	6.05 / 153.9	1.57 / 40	1.57 / 40	1.57 / 40	753.62.45

For steel chain series: **Rexnord:** 812 (except TAB and mini hinge), 815, single hinge straight run, single hinge Magnetflex. Note: not for heavy duty tab.  
\* Ask customer service for minimum order quantity. Box order quantity is 10 pieces.

# KUS815



Sprocket Type	Code Number	Number of Teeth	Bore	Pitch Diameter	Outside Diameter	Width (Teeth)	Hub Width	Hub Diameter
			B	E	F	C	A	H
			mm	mm	mm	mm	mm	mm

## Split Sprockets And Idlers, Machined - KUS 815

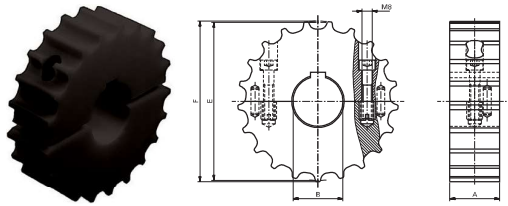
### Sprockets, Metric Bores

KUS815-17T_25MM_1KW_PA	10331076	17	25	105.5	104.5	40.0	40.0	-
KUS815-17T_30MM_1KW_PA	10331476	17	30					
KUS815-17T_35MM_1KW_PA	10331829	17	35					
KUS815-17T_40MM_1KW_PA	10332190	17	40					
KUS815-19T_25MM_1KW_PA	10331078	19	25	117.3	116.3			
KUS815-19T_30MM_1KW_PA	10139146	19	30					
KUS815-19T_35MM_1KW_PA	10331831	19	35					
KUS815-19T_40MM_1KW_PA	10332192	19	40					
KUS815-19T_50MM_1KW_PA	10359781	19	50	129.3	130.0			
KUS815-21T_25MM_1KW_PA	10331080	21	25					
KUS815-21T_30MM_1KW_PA	10139147	21	30					
KUS815-21T_35MM_1KW_PA	10331833	21	35					
KUS815-21T_40MM_1KW_PA	10332194	21	40	141.2	141.9			
KUS815-21T_50MM_1KW_PA	10139150	21	50					
KUS815-23T_25MM_1KW_PA	10331082	23	25					
KUS815-23T_30MM_1KW_PA	10139148	23	30					
KUS815-23T_35MM_1KW_PA	10331835	23	35	153.2	153.9			
KUS815-23T_40MM_1KW_PA	10332196	23	40					
KUS815-23T_50MM_1KW_PA	10332815	23	50					
KUS815-25T_25MM_1KW_PA	10331084	25	25					
KUS815-25T_30MM_1KW_PA	10331484	25	30					
KUS815-25T_35MM_1KW_PA	10331837	25	35					
KUS815-25T_40MM_1KW_PA	10139149	25	40					
KUS815-25T_50MM_1KW_PA	10332817	25	50	105.5	104.5			
KUS815-27T_25MM_1KW_PA	10331086	27	25					
KUS815-27T_30MM_1KW_PA	10331486	27	30					
KUS815-27T_35MM_1KW_PA	10331839	27	35					
KUS815-27T_40MM_1KW_PA	10332200	27	40	117.3	116.3			
KUS815-27T_50MM_1KW_PA	10332819	27	50					

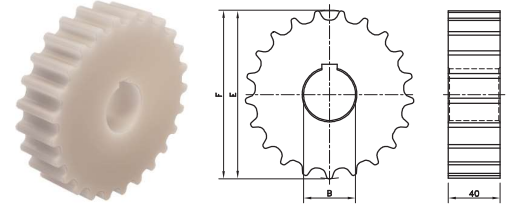
### Idlers, Metric Bores

KUS815-17T_25MM_I_PA	10331077	17	25	105.5	104.5	40.0	40.0	-
KUS815-17T_30MM_I_PA	10331477	17	30					
KUS815-17T_35MM_I_PA	10331830	17	35					
KUS815-17T_40MM_I_PA	10332191	17	40					
KUS815-19T_25MM_I_PA	10331079	19	25	117.3	116.3			
KUS815-19T_30MM_I_PA	10331479	19	30					
KUS815-19T_35MM_I_PA	10331832	19	35					
KUS815-19T_40MM_I_PA	10332193	19	40					
KUS815-19T_50MM_I_PA	10359768	19	50	129.3	130.0			
KUS815-21T_25MM_I_PA	10331081	21	25					
KUS815-21T_30MM_I_PA	10331481	21	30					
KUS815-21T_35MM_I_PA	10331834	21	35					
KUS815-21T_40MM_I_PA	10332195	21	40	141.2	141.9			
KUS815-21T_50MM_I_PA	10332814	21	50					
KUS815-23T_25MM_I_PA	10331083	23	25					
KUS815-23T_30MM_I_PA	10331483	23	30					
KUS815-23T_35MM_I_PA	10331836	23	35	105.5	104.5			
KUS815-23T_40MM_I_PA	10332197	23	40					
KUS815-23T_50MM_I_PA	10332816	23	50					

## KUS815



## KU815



Sprocket Type	Code Number	Number of Teeth	Bore	Pitch Diameter	Outside Diameter	Width (Teeth)	Hub Width	Hub Diameter
			B	E	F	C	A	H
			mm	mm	mm	mm	mm	mm

### Idlers, Metric Bores continued

KUS815-25T_25MM_I_PA	10331085	25	25	153.2	153.9	40.0	40.0	-
KUS815-25T_30MM_I_PA	10331485	25	30					
KUS815-25T_35MM_I_PA	10331838	25	35					
KUS815-25T_40MM_I_PA	10332199	25	40					
KUS815-25T_50MM_I_PA	10332818	25	50					
KUS815-27T_25MM_I_PA	10331087	27	25	165.2	165.9	40.0	40.0	-
KUS815-27T_30MM_I_PA	10331487	27	30					
KUS815-27T_35MM_I_PA	10331840	27	35					
KUS815-27T_40MM_I_PA	10332201	27	40					
KUS815-27T_50MM_I_PA	10332820	27	50					

For steel chain series: **Rexnord:** 812 (except TAB and mini hinge), 815.  
single hinge straight run, single hinge Magnetflex, 66 ST 75 RM. Box Order Quantity is 10 pieces.

### Classic Sprockets, Machined - KU 815

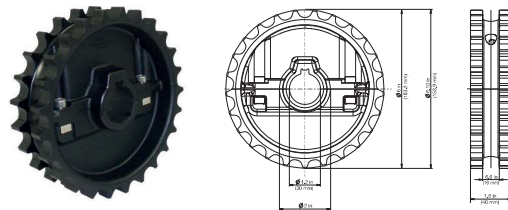
#### Metric Bores

KU815-17T_20MM_P_PA	10297045	17	20*	105.5	104.5	40	-	-
KU815-19T_20MM_P_PA	10297046	19	20*	117.3	116.3			
KU815-21T_20MM_P_PA	10297047	21	20*	129.3	130.0			
KU815-23T_20MM_P_PA	10297048	23	20*	141.2	141.9			
KU815-25T_20MM_P_PA	10297049	25	20*	153.2	153.9			
KU815-27T_20MM_P_PA	10297050	27	20*	165.2	165.9			

\*Pre-bore

For steel chain series: **Rexnord:** 812 (except TAB and mini hinge), 815.  
single hinge straight run, single hinge Magnetflex, 66 ST 75 RM.

## NSH820

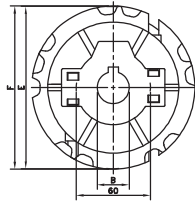


Sprocket Type	Code Number	Number of Teeth	Pitch Diameter	Outside Diameter	Width	Hub Width	Shaft Size	Equivalent to NS 820	Equivalent to NS 831
			in-mm	in-mm	in-mm	in-mm	in-mm		
NSH820-25T_25MM_1KW_PA	10334525	25	6.0 / 153.2	6.1 / 154.2	1.50 / 38	1.6 / 40	0.98 / 25	L0820665361	L0831604202
NSH820-25T_30MM_1KW_PA	10334526	25	6.0 / 153.2	6.1 / 154.2	1.65 / 42	1.6 / 40	1.18 / 30	L0820665371	L0831604212
NSH820-25T_35MM_1KW_PA	10334527	25	6.0 / 153.2	6.1 / 154.2	1.85 / 47	1.6 / 40	1.37 / 35	L0820665381	L0831604222
NSH820-25T_40MM_1KW_PA	10334528	25	6.0 / 153.2	6.1 / 154.2	2.05 / 52	1.6 / 40	1.57 / 40	L0820665391	L0831604232
NSH820-25T_45MM_1KW_PA	10334529	25	6.0 / 153.2	6.1 / 154.2	2.25 / 57	1.6 / 40	1.77 / 45	L0820665401	L0831604242

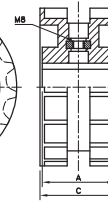
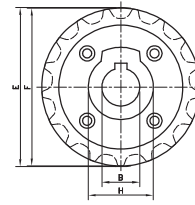
For plastic chain series: **Rexnord:** 820.

\* Ask Customer service for minimum order quantity of sprockets with inch bores. Box Order Quantity is 10 pieces.

**NS820**



**N820**



Sprocket Type	Code Number	Number of Teeth	Bore	Pitch Diameter	Outside Diameter	Width (Teeth)	Hub Width	Hub Diameter
			B	E	F	C	A	H
			mm/inch	mm	mm	mm	mm	mm

**Split Sprockets, Injection Moulded - NS 820**

Metric Bores								
NS820-21T_25MM_1KW_PA	10334413	21	25	129.3	129.5	52.0	51.0	60
NS820-21T_30MM_1KW_PA	10028632	21	30	129.3	129.5	52.0	51.0	
NS820-21T_35MM_1KW_PA	10334415	21	35	129.3	129.5	52.0	51.0	
NS820-21T_40MM_1KW_PA	10334416	21	40	129.3	129.5	52.0	51.0	
NS820-21T_45MM_1KW_PA	10334417	21	45	129.3	129.5	52.0	51.0	
NS820-23T_25MM_1KW_PA	10334418	23	25	141.2	142.0	52.0	51.0	
NS820-23T_30MM_1KW_PA	10028637	23	30	141.2	142.0	52.0	51.0	
NS820-23T_35MM_1KW_PA	10334421	23	35	141.2	142.0	52.0	51.0	
NS820-23T_40MM_1KW_PA	10334422	23	40	141.2	142.0	52.0	51.0	
NS820-23T_45MM_1KW_PA	10334423	23	45	141.2	142.0	52.0	51.0	
NS820-25T_25MM_1KW_PA	10334424	25	25	153.2	154.2	54.0	58.5	
NS820-25T_30MM_1KW_PA	10028648	25	30	153.2	154.2	54.0	58.5	
NS820-25T_35MM_1KW_PA	10334427	25	35	153.2	154.2	54.0	58.5	
NS820-25T_40MM_1KW_PA	10334428	25	40	153.2	154.2	54.0	58.5	
NS820-25T_45MM_1KW_PA	10334429	25	45	153.2	154.2	54.0	58.5	
Inch Bores*								
NS820-21T_1IN_1KW_PA	10328037	21	1.00"	129.3	129.5	52.0	51.0	60
NS820-21T_1-1/4IN_1KW_PA	10328300	21	1.25"	129.3	129.5	52.0	51.0	
NS820-23T_1IN_1KW_PA	10328038	23	1.00"	141.2	142.0	52.0	51.0	
NS820-23T_1-1/4IN_1KW_PA	10328301	23	1.25"	141.2	142.0	52.0	51.0	
NS820-25T_1IN_1KW_PA	10328039	25	1.00"	153.2	154.2	54.0	58.5	
NS820-25T_1-1/4IN_1KW_PA	10328302	25	1.25"	153.2	154.2	54.0	58.5	

**For steel chain series (optional):** Rexnord: 812 (except TAB and mini hinge), 815, single hinge straight run, single hinge Magnetflex.

**For plastic chain series:** 820, Note: not suitable for 831.

\* Ask Customer service for minimum order quantity of sprockets with inch bores. Box Order Quantity is 10 pieces.

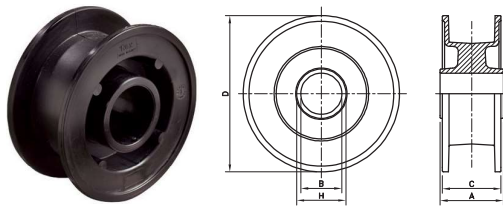
**Classic Sprockets, Injection Moulded - N 820**

Metric Bores								
N820-15T_25MM_1KW_PA	10334334	15	25	93.7	92.2	50.0	50.0	43
N820-15T_30MM_1KW_PA	10334335	15	30	93.7	92.2	50.0	50.0	43
N820-17T_25MM_1KW_PA	10334336	17	25	105.5	104.7	51.0	48.0	43
N820-17T_30MM_1KW_PA	10177482	17	30	105.5	104.7	51.0	48.0	43
N820-19T_20MM_1KW_PA	10334338	19	20	117.4	117.1	50.0	50.0	60
N820-19T_25MM_1KW_PA	10177483	19	25	117.4	117.1	50.0	50.0	60
N820-19T_30MM_1KW_PA	10177484	19	30	117.4	117.1	50.0	50.0	60
N820-19T_35MM_1KW_PA	10334341	19	35	117.4	117.1	50.0	50.0	60
N820-19T_40MM_1KW_PA	10334342	19	40	117.4	117.1	50.0	50.0	60

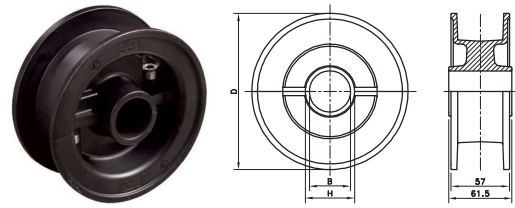
**For steel chain series (optional):** Rexnord: 812 (except TAB and mini hinge), 815, single hinge straight run, single hinge Magnetflex.

**For plastic chain series:** 820, Note: not suitable for 831. Box Order Quantity is 10 pieces.

## NT820



## NST820



Sprocket Type	Code Number	Number of Teeth	Bore	Outside Diameter	Width (Teeth)	Hub Width	Hub Diameter
			B	F	C	A	H
			mm/inch	mm	mm	mm	mm

### Classic Idler Drums, Injection Moulded - NT 820

#### Metric Bores

NT820-15T_25MM_I_PA	10334543	15	25	95.5	55.0	92.0	40
NT820-15T_30MM_I_PA	10334544	15	30	95.5	55.0	92.0	40
NT820-17T_25MM_I_PA	10334545	17	25	106.5	53.0	57.0	42
NT820-17T_30MM_I_PA	10334546	17	30	106.5	53.0	57.0	42
NT820-18T_25MM_I_PA	10334547	18	25	113.0	57.0	92.0	40
NT820-18T_30MM_I_PA	10334548	18	30	113.0	57.0	92.0	40
NT820-19T_25MM_I_PA	10334549	19	25	118.0	57.0	57.0	42
NT820-19T_30MM_I_PA	10177481	19	30	118.0	57.0	57.0	42
NT820-19T_40MM_I_PA	10334551	19	40	118.0	57.0	57.0	51
NT820-21T_25MM_I_PA	10297306	21	25	130.0	60.0	61.5	35
NT820-21T_30MM_I_PA	10297307	21	30	130.0	60.0	61.5	40
NT820-21T_35MM_I_PA	10334554	21	35	130.0	60.0	61.5	45
NT820-21T_40MM_I_PA	10334555	21	40	130.0	60.0	61.5	50
NT820-23T_25MM_I_PA	10334556	23	25	142.5	59.5	61.5	35
NT820-23T_30MM_I_PA	10297300	23	30	142.5	59.5	61.5	40
NT820-23T_35MM_I_PA	10298169	23	35	142.5	59.5	61.5	45
NT820-23T_40MM_I_PA	10334559	23	40	142.5	59.5	61.5	50
NT820-25T_25MM_I_PA	10297295	25	25	154.5	59.0	61.5	35
NT820-25T_30MM_I_PA	10334561	25	30	154.5	59.0	61.5	40
NT820-25T_35MM_I_PA	10334562	25	35	154.5	59.0	61.5	45
NT820-25T_40MM_I_PA	10334563	25	40	154.5	59.0	61.5	50

#### Inch Bores

NT820-21T_1IN_I_PA	10328540	21	1.00"	130.0	60.0	61.5	35
NT820-21T_1-1/4IN_I_PA	10328545	21	1.25"	130.0	60.0	61.5	40
NT820-21T_1-1/2IN_I_PA	10328542	21	1.50"	130.0	60.0	61.5	45
NT820-23T_1-1/4IN_I_PA	10319215	23	1.25"	142.5	59.5	61.5	40
NT820-23T_1-1/2IN_I_PA	10328543	23	1.50"	142.5	59.5	61.5	45
NT820-25T_1IN_I_PA	10328541	25	1.00"	154.5	59.0	61.5	35
NT820-25T_1-1/4IN_I_PA	10328547	25	1.25"	154.5	59.0	61.5	40
NT820-25T_1-1/2IN_I_PA	10328544	25	1.50"	154.5	59.0	61.5	45

For steel chain series: Rexnord: 812 (except TAB and mini hinge), 815, 881 (except TAB), 8811 (except TAB).

single hinge straight run, single hinge Magnetflex.

For plastic chain series: 879-Bevel, 880-Bevel, 820, 831, RHM, RHMD,RHMP, RHMDP, SHP. Box Order Quantity is 10 pieces

### Split Idler Drums, Injection Moulded - NST 820

#### Metric Bores

NST820-21T_25MM_I_PA	10334530	21	25	130.0	57.0	61.5	40
NST820-21T_30MM_I_PA	10318282	21	30	130.0	57.0	61.5	40
NST820-21T_35MM_I_PA	10291542	21	35	130.0	57.0	61.5	50
NST820-21T_40MM_I_PA	10288598	21	40	130.0	57.0	61.5	50
NST820-23T_25MM_I_PA	10334534	23	25	142.5	57.0	61.5	40
NST820-23T_30MM_I_PA	10334535	23	30	142.5	57.0	61.5	40
NST820-23T_35MM_I_PA	10334536	23	35	142.5	57.0	61.5	50
NST820-23T_40MM_I_PA	10334537	23	40	142.5	57.0	61.5	50
NST820-25T_25MM_I_PA	10334538	25	25	154.5	57.0	61.5	35
NST820-25T_30MM_I_PA	10350819	25	30	154.5	57.0	61.5	40
NST820-25T_35MM_I_PA	10334540	25	35	154.5	57.0	61.5	45
NST820-25T_40MM_I_PA	10334541	25	40	154.5	57.0	61.5	50
NST820-25T_45MM_I_PA	10334542	25	45	154.5	57.0	61.5	50



Sprocket Type	Code Number	Number of Teeth	Bore	Pitch Diameter	Outside Diameter	Width (Teeth)	Hub Width	Hub Diameter
			B	E	F	C	A	H
			mm/inch	mm	mm	mm	mm	mm

**Split Idler Drums, Injection Moulded - NST 820 continued**

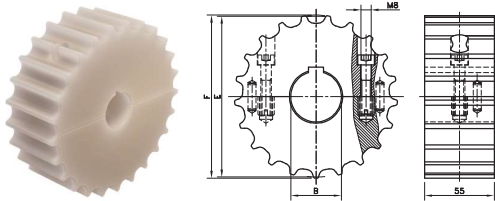
Inch Bores*								
NST820-21T_1IN_I_PA	10328533	21	1.00"	--	130.0	57.0	61.5	40
NST820-21T_1-1/4IN_I_PA	10328537	21	1.25"	--	130.0	57.0	61.5	40
NST820-25T_1IN_I_PA	10328534	25	1.00"	--	154.5	57.0	61.5	40
NST820-25T_1-1/4IN_I_PA	10328539	25	1.25"	--	154.5	57.0	61.5	40
NST820-25T_1-1/2IN_I_PA	10328536	25	1.50"	--	154.5	57.0	61.5	50

**For steel chain series: Rexnord:** 812 (except TAB and mini hinge), 815, 881 (except TAB), 8811 (except TAB), single hinge straight run, single hinge Magnetflex, single hinge bevel rubber top.

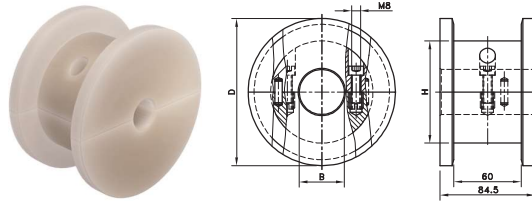
**For plastic chain series:** 879-Bevel, 880-Bevel, 820, 831, RHM, RHMD,RHMP, RHMDP, SHP.

\* Ask Customer service for minimum order quantity of sprockets with inch bores. Box Order Quantity is 10 pieces.

**KUS75**



**KST75**



**Split Sprockets And Idlers, Machined - KUS75**

Sprockets, Metric Bores								
KUS75-21T_25MM_1KW_PA	10331049	21	25	129.3	130.0	55.0	55.0	-
KUS75-21T_30MM_1KW_PA	10331449	21	30					
KUS75-21T_35MM_1KW_PA	10331803	21	35					
KUS75-21T_40MM_1KW_PA	10332163	21	40					
KUS75-21T_50MM_1KW_PA	10332793	21	50					
KUS75-25T_25MM_1KW_PA	10331053	25	25	153.2	153.9	55.0	55.0	-
KUS75-25T_30MM_1KW_PA	10331453	25	30					
KUS75-25T_35MM_1KW_PA	10331807	25	35					
KUS75-25T_40MM_1KW_PA	10332167	25	40					
KUS75-25T_50MM_1KW_PA	10332797	25	50					
Idlers, Metric Bores								
KUS75-21T_25MM_I_PA	10331050	21	25	129.3	130.0	55.0	55.0	-
KUS75-21T_30MM_I_PA	10331450	21	30					
KUS75-21T_35MM_I_PA	10331804	21	35					
KUS75-21T_40MM_I_PA	10332164	21	40					
KUS75-21T_50MM_I_PA	10332794	21	50					
KUS75-25T_25MM_I_PA	10331054	25	25	153.2	153.9	55.0	55.0	-
KUS75-25T_30MM_I_PA	10331454	25	30					
KUS75-25T_35MM_I_PA	10331808	25	35					
KUS75-25T_40MM_I_PA	10332168	25	40					
KUS75-25T_50MM_I_PA	10332798	25	50					

**For steel chain series: Rexnord:** straight run heavy duty, heavy duty Magnetflex

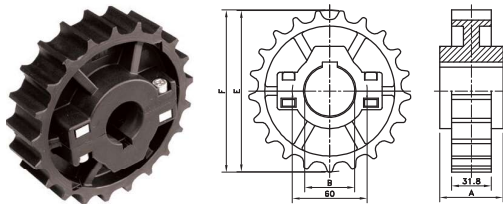
**Split Idler Drums, Machined - KST75**

Metric Bores								
KST75-21T_20MM_I_PA	10330414	21	20	129.3	131.0	84.5	84.5	91
KST75-21T_25MM_I_PA	10330873	21	25					
KST75-21T_30MM_I_PA	10331276	21	30					
KST75-21T_35MM_I_PA	10331669	21	35					
KST75-21T_40MM_I_PA	10331999	21	40					
KST75-21T_50MM_I_PA	10405106	21	50	153.2	155.0	84.5	84.5	115
KST75-25T_20MM_I_PA	10330418	25	20					
KST75-25T_25MM_I_PA	10330875	25	25					
KST75-25T_30MM_I_PA	10331278	25	30					
KST75-25T_35MM_I_PA	10331671	25	35					
KST75-25T_40MM_I_PA	10332001	25	40	10332658	25	84.5	84.5	115
KST75-25T_50MM_I_PA	10332658	25	50					

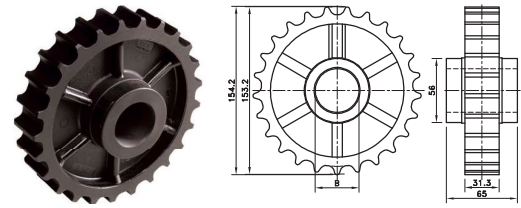
**For steel chain series:** straight run heavy duty, heavy duty Magnetflex.

**For plastic chain series:** HDS, HDFM.

**NS881**



**N881**



Sprocket Type	Code Number	Number of Teeth	Bore	Pitch Diameter	Outside Diameter	Width (Teeth)	Hub Width	Hub Diameter
			B	E	F	C	A	H
			mm/inch	mm	mm	mm	mm	mm

**Split Sprockets and Idlers, Injection Moulded - NS881**

**Sprockets, Metric Bores**

NS881-21T_25MM_1KW_PA	10334488	21	25	129.3	129.5	31.8	51.0	60
NS881-21T_30MM_1KW_PA	10334490	21	30					
NS881-21T_35MM_1KW_PA	10334492	21	35					
NS881-21T_40MM_1KW_PA	10334494	21	40					
NS881-21T_45MM_1KW_PA	10334496	21	45					
NS881-23T_25MM_1KW_PA	10334498	23	25	141.2	142.0	31.8	51.0	60
NS881-23T_30MM_1KW_PA	10334500	23	30					
NS881-23T_35MM_1KW_PA	10334502	23	35					
NS881-23T_40MM_1KW_PA	10334504	23	40					
NS881-23T_45MM_1KW_PA	10334506	23	45					
NS881-25T_25MM_1KW_PA	10334507	25	25	153.2	154.2	31.8	58.5	60
NS881-25T_30MM_1KW_PA	10350817	25	30					
NS881-25T_35MM_1KW_PA	10334511	25	35					
NS881-25T_40MM_1KW_PA	10334513	25	40					
NS881-25T_45MM_1KW_PA	10334515	25	45					

**Sprockets, Inch Bores\***

NS881-21T_1IN_1KW_PA	10328045	21	1.00"	129.3	129.5	31.8	51.0	60
NS881-21T_1-1/4IN_1KW_PA	10328307	21	1.25"					
NS881-21T_1-1/2IN_1KW_PA	10328192	21	1.50"					
NS881-23T_1IN_1KW_PA	10328046	23	1.00"	141.2	142.0	31.8	51.0	60
NS881-23T_1-1/4IN_1KW_PA	10328308	23	1.25"					
NS881-25T_1IN_1KW_PA	10328047	25	1.00"					
NS881-25T_1-1/4IN_1KW_PA	10328310	25	1.25"	153.2	154.2	31.8	58.5	60
NS881-25T_1-1/2IN_1KW_PA	10328193	25	1.50"					

**Idlers, Metric Bores**

NS881-21T_25MM_I_PA	10334487	21	25	129.3	129.5	31.8	51.0	60
NS881-21T_30MM_I_PA	10334489	21	30					
NS881-21T_35MM_I_PA	10334491	21	35					
NS881-21T_40MM_I_PA	10334493	21	40					
NS881-23T_25MM_I_PA	10334497	23	25					
NS881-23T_30MM_I_PA	10334499	23	30	141.2	142.0	31.8	51.0	60
NS881-23T_35MM_I_PA	10334501	23	35					
NS881-23T_40MM_I_PA	10334503	23	40					
NS881-25T_30MM_I_PA	10334508	25	30					
NS881-25T_35MM_I_PA	10334510	25	35					
NS881-25T_40MM_I_PA	10334512	25	40	153.2	154.2	31.8	58.5	60
NS881-25T_45MM_I_PA	10334514	25	45					

**For steel chain series: Rexnord:** 812 mini hinge, 812-TAB, 881, 8811 (all): single hinge TAB rubber top.

\*Ask Customer service for minimum order quantity of sprockets with inch bores. Box Order Quantity is 10 pieces.

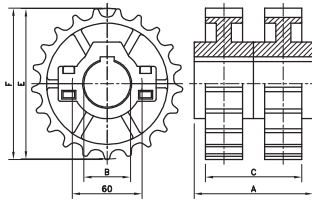
**Classic Idlers, Injection Moulded - N881**

**Metric Bores**

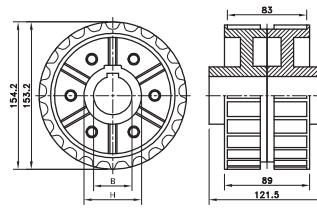
N881-25T_25MM_I_PA	10334360	25	25	153.2	154.2	31.3	65.0	56
N881-25T_30MM_I_PA	10334361	25	30					
N881-25T_35MM_I_PA	10334362	25	35					
N881-25T_40MM_I_PA	10334363	25	40					

**For steel chain series: Rexnord:** 812 mini hinge, 812-TAB, 881, 8811 (all). Box Order Quantity is 10 pieces.

**NS821**



**N800**



Sprocket Type	Code Number	Number of Teeth	Bore	Pitch Diameter	Outside Diameter	Width (Teeth)	Hub Width	Hub Diameter
			B	E	F	C	A	H
			mm/inch	mm	mm	mm	mm	mm

**Split Sprockets And Idlers, Injection Moulded - NS821**

**Sprockets, Metric Bores**

NS821-21T_35MM_1KW_PA	10334434	21	35	129.2	129.5	82.0	103.0	60
NS821-21T_40MM_1KW_PA	10334436	21	40					
NS821-21T_45MM_1KW_PA	10334437	21	45					
NS821-23T_30MM_1KW_PA	10334439	23	30	141.2	142.0			
NS821-23T_35MM_1KW_PA	10334441	23	35					
NS821-23T_40MM_1KW_PA	10334443	23	40					
NS821-23T_45MM_1KW_PA	10334444	23	45	153.2	154.2	82.0	117.0	
NS821-25T_30MM_1KW_PA	10028663	25	30					
NS821-25T_35MM_1KW_PA	10334449	25	35					
NS821-25T_40MM_1KW_PA	10334451	25	40					
NS821-25T_45MM_1KW_PA	10334452	25	45					

**Idlers, Metric Bores**

NS821-21T_30MM_I_PA	10334431	21	30	129.2	129.5	82.0	103.0	60
NS821-21T_35MM_I_PA	10334433	21	35					
NS821-21T_40MM_I_PA	10334435	21	40					
NS821-23T_30MM_I_PA	10334438	23	30	141.2	142.0			
NS821-23T_35MM_I_PA	10334440	23	35					
NS821-23T_40MM_I_PA	10334442	23	40					
NS821-25T_30MM_I_PA	10334446	25	30	153.2	154.2	82.0	117.0	
NS821-25T_35MM_I_PA	10334448	25	35					
NS821-25T_40MM_I_PA	10334450	25	40					

For steel chain series: **Rexnord:** 802 (all), 805: double hinge.

For plastic chain series: 821, SWH, Box Order Quantity is 10 pieces.

**Classic Sprockets And Idlers, Injection Moulded - N800**

**Sprockets, Metric Bores**

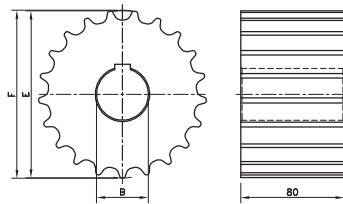
N800-25T_30MM_1KW_PA	10334328	25	30	153.2	154.2	89.0	118	60
N800-25T_35MM_1KW_PA	10334329	25	35					
N800-25T_40MM_1KW_PA	10334330	25	40					

**Idlers, Metric Bores**

N800-25T_30MM_I_NY	10334331	25	30	153.2	154.2	89.0	118	60
N800-25T_35MM_I_NY	10334332	25	35					
N800-25T_40MM_I_NY	10334333	25	40					

For steel chain series: **Rexnord:** 802 (all), 805: double hinge, Box Order Quantity is 10 pieces.

# KU821



Sprocket Type	Code Number	Number of Teeth	Bore	Pitch Diameter	Outside Diameter	Width (Teeth)
			B	E	F	C
			mm/inch	mm	mm	mm

### Classic Sprockets And Idlers, Machined - KU 821

Sprockets, Metric Bores						
KU821-19T_25MM_1KW_PA	10330902	19	25	117.3	116.3	80.0
KU821-19T_30MM_1KW_PA	10331305	19	30			
KU821-19T_35MM_1KW_PA	10331697	19	35			
KU821-19T_40MM_1KW_PA	10332028	19	40			
KU821-19T_50MM_1KW_PA	10332679	19	50	129.3	130.0	
KU821-21T_25MM_1KW_PA	10139159	21	25			
KU821-21T_30MM_1KW_PA	10331307	21	30			
KU821-21T_35MM_1KW_PA	10331699	21	35			
KU821-21T_40MM_1KW_PA	10332030	21	40	141.2	141.9	
KU821-21T_50MM_1KW_PA	10332681	21	50			
KU821-23T_25MM_1KW_PA	10330906	23	25			
KU821-23T_30MM_1KW_PA	10331309	23	30			
KU821-23T_35MM_1KW_PA	10331701	23	35	153.2	153.9	
KU821-23T_40MM_1KW_PA	10332032	23	40			
KU821-23T_50MM_1KW_PA	10332683	23	50			
KU821-25T_25MM_1KW_PA	10330908	25	25			
KU821-25T_30MM_1KW_PA	10331311	25	30	165.2	165.9	
KU821-25T_35MM_1KW_PA	10331703	25	35			
KU821-25T_40MM_1KW_PA	10332034	25	40			
KU821-25T_50MM_1KW_PA	10332685	25	50			
KU821-27T_25MM_1KW_PA	10330910	27	25	177.2	178.0	
KU821-27T_30MM_1KW_PA	10331313	27	30			
KU821-27T_35MM_1KW_PA	10331705	27	35			
KU821-27T_40MM_1KW_PA	10332036	27	40			
KU821-27T_50MM_1KW_PA	10332687	27	50	177.2	178.0	
KU821-29T_25MM_1KW_PA	10330912	29	25			
KU821-29T_30MM_1KW_PA	10331315	29	30			
KU821-29T_35MM_1KW_PA	10331707	29	35			
KU821-29T_40MM_1KW_PA	10332038	29	40	177.2	178.0	
KU821-29T_50MM_1KW_PA	10332689	29	50			
Idlers, Metric Bores						
KU821-19T_25MM_I_PA	10330903	19	25	117.3	116.3	80.0
KU821-19T_30MM_I_PA	10331306	19	30			
KU821-19T_35MM_I_PA	10331698	19	35			
KU821-19T_40MM_I_PA	10332029	19	40			
KU821-19T_50MM_I_PA	10332680	19	50	129.3	130.0	
KU821-21T_25MM_I_PA	10330905	21	25			
KU821-21T_30MM_I_PA	10331308	21	30			
KU821-21T_35MM_I_PA	10331700	21	35			
KU821-21T_40MM_I_PA	10332031	21	40	141.2	141.9	
KU821-21T_50MM_I_PA	10332682	21	50			
KU821-23T_25MM_I_PA	10330907	23	25			
KU821-23T_30MM_I_PA	10331310	23	30			
KU821-23T_35MM_I_PA	10331702	23	35	153.2	153.9	
KU821-23T_40MM_I_PA	10332033	23	40			
KU821-23T_50MM_I_PA	10332684	23	50			
KU821-25T_25MM_I_PA	10330909	25	25			
KU821-25T_30MM_I_PA	10331312	25	30	153.2	153.9	
KU821-25T_35MM_I_PA	10331704	25	35			
KU821-25T_40MM_I_PA	10332035	25	40			
KU821-25T_50MM_I_PA	10332686	25	50			



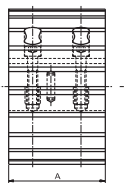
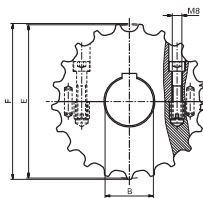
Sprocket Type	Code Number	Number of Teeth	Bore	Pitch Diameter	Outside Diameter	Width (Teeth)	Hub Width	Hub Diameter
			B	E	F	C	A	H
			mm/inch	mm	mm	mm	mm	mm

**Classic Sprockets And Idlers, Machined - KU 821 continued**

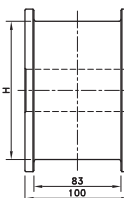
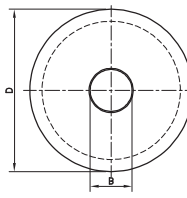
Idlers, Metric Bores								
KU821-27T_25MM_I_PA	10330911	27	25	165.2	165.9	80.0	-	-
KU821-27T_30MM_I_PA	10331314	27	30					
KU821-27T_35MM_I_PA	10331706	27	35					
KU821-27T_40MM_I_PA	10332037	27	40					
KU821-27T_50MM_I_PA	10332688	27	50	177.2	178.0	80.0	-	-
KU821-29T_25MM_I_PA	10330913	29	25					
KU821-29T_30MM_I_PA	10331316	29	30					
KU821-29T_35MM_I_PA	10331708	29	35					
KU821-29T_40MM_I_PA	10332039	29	40					
KU821-29T_50MM_I_PA	10332690	29	50					

**For steel chain series: Rexnord:** 802 (all), 805 double hinge **For plastic chain series:** 821, SWH.

**KUS821**



**KT800**



**Split Sprockets And Idlers, Machined - KUS 821**

Sprockets, Metric Bores								
KUS821-23T_25MM_1KW_PA	10331092	23	25	141.2	141.9	80.0	-	-
KUS821-23T_30MM_1KW_PA	10331492	23	30					
KUS821-23T_35MM_1KW_PA	10331845	23	35					
KUS821-23T_40MM_1KW_PA	10332206	23	40					
KUS821-23T_50MM_1KW_PA	10332823	23	50	165.2	165.9	80.0	-	-
KUS821-27T_25MM_1KW_PA	10331096	27	25					
KUS821-27T_30MM_1KW_PA	10331496	27	30					
KUS821-27T_35MM_1KW_PA	10331849	27	35					
KUS821-27T_40MM_1KW_PA	10332210	27	40					
KUS821-27T_50MM_1KW_PA	10332827	27	50					

**Idlers, Metric Bores**

KUS821-23T_25MM_I_PA	10331093	23	25	141.2	141.9	80.0	-	-
KUS821-23T_30MM_I_PA	10331493	23	30					
KUS821-23T_35MM_I_PA	10331846	23	35					
KUS821-23T_40MM_I_PA	10332207	23	40					
KUS821-23T_50MM_I_PA	10332824	23	50	165.2	165.9	80.0	-	-
KUS821-27T_25MM_I_PA	10331097	27	25					
KUS821-27T_30MM_I_PA	10331497	27	30					
KUS821-27T_35MM_I_PA	10331850	27	35					
KUS821-27T_40MM_I_PA	10332211	27	40					
KUS821-27T_50MM_I_PA	10332828	27	50					

**For steel chain series: Rexnord:** 802 (all), 805 double hinge.

**For plastic chain series:** 821, SWH.

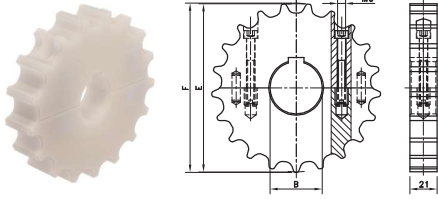
**Classic Idler Drums, Machined - KT800**

Metric Bores								
KT800-21T_25MM_I_PA	10298158	21	25*	106.8	129.8	100.0	-	106.8
KT800-23T_25MM_I_PA	10298159	23	25*	119.3	142.3			119.3
KT800-25T_25MM_I_PA	10298160	25	25*	131.7	154.7			131.7

\* Pre-bore.

**For steel chain series: Rexnord:** 802 (all), 805 double hinge.

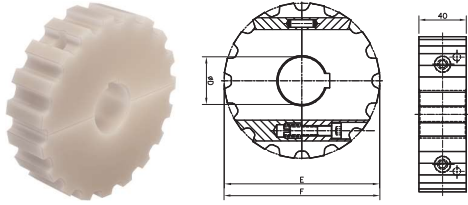
# KUSMINI



Sprocket Type	Code Number	Number of Teeth	Bore	Pitch Diameter	Outside Diameter	Width (Teeth)	Hub Width
			B	E	F	C	A
			mm/inch	mm	mm	mm	mm
<b>Split Sprockets, Machined - KUSMINI</b>							
<b>Metric Bores</b>							
KUSMINI-21T_25MM_1KW_PA	10331184	21	25	129.3	130.0	21.0	21.0
KUSMINI-21T_30MM_1KW_PA	10331584	21	30				
KUSMINI-21T_35MM_1KW_PA	10331923	21	35				
KUSMINI-21T_40MM_1KW_PA	10332297	21	40				
KUSMINI-21T_50MM_1KW_PA	10332899	21	50				
KUSMINI-25T_25MM_1KW_PA	10331188	25	25	153.2	153.9	21.0	21.0
KUSMINI-25T_30MM_1KW_PA	10331588	25	30				
KUSMINI-25T_35MM_1KW_PA	10331927	25	35				
KUSMINI-25T_40MM_1KW_PA	10332301	25	40				
KUSMINI-25T_50MM_1KW_PA	10332903	25	50				

For steel chain series: **Rexnord**: 812-narrow, mini hinge.

# KUS661



Sprocket Type	Code Number	Number of Teeth	Bore	Pitch Diameter	Outside Diameter	Hub Width
			B	E	F/D	A
mm/inch						
mm						
<b>Split Sprockets And Idlers, Machined - KUS661</b>						
<b>Sprockets, Metric Bores</b>						
KUS661-16T_30MM_1KW_PA	10331472	16	30	130.2	131.0	40
KUS661-16T_35MM_1KW_PA	10331825	16	35			
KUS661-16T_40MM_1KW_PA	10332186	16	40			
KUS661-19T_30MM_1KW_PA	10331474	19	30	154.3	155.4	
KUS661-19T_35MM_1KW_PA	10331827	19	35			
KUS661-19T_40MM_1KW_PA	10332188	19	40			
<b>Sprockets, inch bores</b>						
KUS661-16T_1-1/4IN_1KW_PA	10327205	16	1.250"	130.2	131.0	40
KUS661-16T_1-7/16IN_1KW_PA	10327681	16	1.438"			
KUS661-16T_1-1/2IN_1KW_PA	10327006	16	1.500"			
KUS661-19T_1-1/4IN_1KW_PA	10327206	19	1.250"	154.3	155.4	
KUS661-19T_1-7/16IN_1KW_PA	10327682	19	1.438"			
KUS661-19T_1-1/2IN_1KW_PA	10327004	19	1.500"			
<b>Idlers, Metric Bores</b>						
KUS661-16T_30MM_I_PA	10331473	16	30	130.2	131.0	40
KUS661-16T_35MM_I_PA	10331826	16	35			
KUS661-16T_40MM_I_PA	10332187	16	40			
KUS661-19T_30MM_I_PA	10331475	19	30	154.3	155.4	
KUS661-19T_35MM_I_PA	10331828	19	35			
KUS661-19T_40MM_I_PA	10332189	19	40			
<b>Split Sprockets And Idlers, Machined - KUS661 continued</b>						
<b>Idlers, Inch Bores</b>						
KUS661-16T_1-1/4IN_I_PA	10327292	16	1.250"	130.2	131.0	40
KUS661-16T_1-7/16IN_I_PA	10327768	16	1.438"			
KUS661-16T_1-1/2IN_I_PA	10327007	16	1.500"			
KUS661-19T_1-1/4IN_I_PA	10327291	19	1.250"	154.3	155.4	
KUS661-19T_1-7/16IN_I_PA	10327767	19	1.438"			
KUS661-19T_1-1/2IN_I_PA	10327005	19	1.500"			

For steel chain series: 661.

Belt Series	Standard (uncut)		Non-standard (cut)		MTW
	Minimum Belt Width	Belt width Increments	Minimum Belt Width	Belt width Increments	Moulded to Width Belts
500	85 mm	85 mm	85 mm	on request	-
515	4"	1"	2"	½"	-
1505 imperial	3"	3"	4½"	¾"	-
1505 metric	85 mm	85 mm	85 mm	on request	-
1506	3"	3"	4½"	¾"	-
1505 SG	85 mm	85 mm	85 mm	on request	-
8500	6"	6"	2½"	½"	2½" - 3¼" - 4½" - 7½" - 85 mm
5935	6"	3"	3"	¾"	-
5936	6"	3"	2¼"	¾"	-
1000	85 mm	85 mm	55 mm	5 mm	-
1000 SG	85 mm	85 mm	80 mm	10 mm	-
1015	4"	1"	4"	½"	-
1005	85 mm	85 mm	85 mm	17 mm	-
1005 SG	170 mm	85 mm	85 mm	17 mm	-
7705	6"	3"	5"	½"	¾" - 4½" - 7½"
7706	6"	3"	5"	½"	¾" - 4½" - 7½"
7708	9"	3"	5"	½"	-
6300	255 mm	75 mm	225 mm	on request	-
2000	3"	3"	3"	1½"	-
2010	6"	2"	3½"	⅔"	-
6990	9"	3"	5"	½"	-
3125	-	-	-	-	12"
505	255 mm	85 mm	153 mm	17 mm	-
1255	255 mm	85 mm	153 mm	17 mm	-
1255 SG	255 mm	85 mm	153 mm	17 mm	-
1265	255 mm	85 mm	255 mm	17 mm	-
1275	255 mm	85 mm	237 mm	17 mm	-
1285	425 mm	85 mm	357 mm	17 mm	-
7956	-	-	-	-	6" - 12" - 15" - 18" - 24" - 30"
390	6 inch - 152.4mm	2 inch - 50.8mm	6 inch - 152.4mm	2 inch - 50.8mm	-
590	4 inch - 101.6mm	0.5 inch - 12.7mm	4 inch - 101.6mm	0.5 inch - 12.7	-
1090	4 inch - 101.6mm	0.5 inch - 12.7mm	4 inch - 101.6mm	0.5 inch - 12.7	-
6990 HYB	12 inch - 305mm	3 inch - 76.2mm	12 inch - 305mm	3 inch - 76.2mm	-
3122HYB (MTW)	4 inch - 101.6mm	-	-	-	4 inch - 101.6mm
3125HYB (MTW)	4 inch - 101.6mm	-	-	-	4 inch - 101.6mm
3120HYB	12 inch - 305mm	4 inch - 101.6mm	8 inch - 203.2mm	4 inch - 101.6mm	-

\*) after 12" belt width increments are 1" - \*\*) after 24" belt width increments are 1" - \*\*\*) smaller sizes on request

Code nr.	Width	Code nr.	Width	Code nr.	Width	Code nr.	Width	Code nr.	Width	Code nr.	Width	Code nr.	Width
Ending on	mm	Ending on	mm	Ending on	mm	Ending on	mm	Ending on	mm	Ending on	mm	Ending on	mm
<b>Code Numbers for 500, 1000, 1005, 1500, 505 and 1200-Series</b>													
10	85	21	1020	32	1955	43	2890	54	3825	65	4760	76	5695
11	170	22	1105	33	2040	44	2975	55	3910	66	4845	77	5780
12	255	23	1190	34	2125	45	3060	56	3995	67	4930	78	5865
13	340	24	1275	35	2210	46	3145	57	4080	68	5015	79	5950
14	425	25	1360	36	2295	47	3230	58	4165	69	5100	80	6035
15	510	26	1445	37	2380	48	3315	59	4250	70	5185	81	6120
16	595	27	1530	38	2465	49	3400	60	4335	71	5270		
17	680	28	1615	39	2550	50	3485	61	4420	72	5355		
18	765	29	1700	40	2635	51	3570	62	4505	73	5440		
19	850	30	1785	41	2720	52	3655	63	4590	74	5525		
20	935	31	1870	42	2805	53	3740	64	4675	75	5610		

Code nr.	Width		Code nr.	Width		Code nr.	Width		Code nr.	Width		Code nr.	Width		Code nr.	Width	
Ending on	mm	inch	Ending on	mm	inch	Ending on	mm	inch	Ending on	mm	inch	Ending on	mm	inch	Ending on	mm	inch
<b>Code Numbers for 2000- and 2500-Series</b>																	
10	76	3	22	991	39	34	1905	75	46	2819	111	58	3734	147	70	4648	183
11	152	6	23	1067	42	35	1981	78	47	2896	114	59	3810	150	71	4724	186
12	229	9	24	1143	45	36	2057	81	48	2972	117	60	3886	153	72	4801	189
13	305	12	25	1219	48	37	2134	84	49	3048	120	61	3962	156	73	4877	192
14	381	15	26	1295	51	38	2210	87	50	3124	123	62	4039	159	74	4953	195
15	457	18	27	1372	54	39	2286	90	51	3200	126	63	4115	162	75	5029	198
16	533	21	28	1448	57	40	2362	93	52	3277	129	64	4191	165	76	5105	201
17	610	24	29	1524	60	41	2438	96	53	3353	132	65	4267	168	77	5182	204
18	686	27	30	1600	63	42	2515	99	54	3429	135	66	4343	171	78	5258	207
19	762	30	31	1676	66	43	2591	102	55	3505	138	67	4420	174	79	5334	210
20	838	33	32	1753	69	44	2667	105	56	3581	141	68	4496	177	80	5410	213
21	914	36	33	1829	72	45	2743	108	57	3657	144	69	4572	180	81	5486	216

Product	Material Chain	Material Pin
<b>STEEL SLATBAND CHAINS</b>		
10-Series	AISI 430 (1.4016) special 17% chrome stainless steel for improved corrosion resistance, wearlife and strength	AISI 431 (1.4057)
60-Series	Special chrome-nickel stainless steel for excellent sliding properties, improved corrosion resistance, long wearlife and high strength	AISI 431 (1.4057)
60-Series HB	Special chrome-nickel stainless steel for excellent sliding properties, improved corrosion resistance, long wearlife and high strength	AISI 431 (1.4057) hardened
66-Series XHB	Special chrome-nickel stainless steel for excellent sliding properties, improved corrosion resistance, long wearlife and high strength	Special alloy Process hardened
SS 802/812	Ferritic chrome stainless steel for mix of good wear life and high strength	AISI 431 (1.4057)
SS 805/815/881	Austenitic chrome-nickel stainless steel with properties similar to 18/8 material, offering good chemical resistance	Austenitic stainless steel
Rubber top	Special elastomere with a hardness of 70 Shore A	
<b>Plastic Slatband Chains</b>		
BWX	Polyamide composite for extended wear life in abrasive circumstances up to five times compared to plain acetal; to be used in dry running glass handling applications and when the chain is subjected to sand and dirt. Colour: Black	Stainless steel (1.4057)
DKA	Aramid reinforced acetal (POM) for wet or dry abrasive conditions, offering enhanced wear properties over plain acetals in combination with the low friction of a lubricated material. This material is available on request for a selected range of TableTop products.	
DRY-PT	Advanced performance polymer alloy designed specifically for run dry applications. Colour: Lime Green	
GLA	Especially designed material for glass manufacturing. Extremely suited for high abrasion environments, high humidity surroundings and for low to medium speed applications. Black toughened abrasion resistance Acetal. Can be easily cleaned with water.	
HP	High Performance internally lubricated acetal (POM), for reduced wear up to 40% over plain acetal; intended for dry running or reduced lubrication and high-speed applications. Colour: Braun	
LF	Low Friction acetal (POM) and special blend of lubricants for reduced wear up to 15% over plain acetal; intended for high-output applications at moderate to high speeds. Colour: light brown	
PSX	Advanced performance polymer alloy designed specifically for run dry applications. Colour: grey	
SuperGrip	Wear resistant polyester. Colour: anthracite. Rubber top material: special elastomere with a hardness of 70 Shore A. Colour: aubergine	
XLA	Wear resistant, extra low friction XLA-acetal with special selflubricating additives. Colour: anthracite Rollers are made of special wear resistant and sound absorbing plastic; colour: aubergine. Roller shafts: stainless steel AISI 304 (1.4301)	
XLG	Internally lubricated, extra low friction acetal for improved wearlife and high strength; FDA approved. Colour: green-blue	
<b>PLATE TOP CHAINS</b>		
Base chain	Standard: Carbon steel	
	SS: Stainless steel	
Plate Top	LF acetal (POM) and special blend of lubricants for reduced wear up to 15% over plain acetal. Colour: light brown	
	HP internally lubricated acetal (POM) for reduced wear up to 40% over plain acetal. Colour: grey	
	BWX Polyamide composite for extended wear life in abrasive circumstances up to five times compared to plain acetal. Colour: Black	



Product	Material Belt	
<b>Plastic Modular Conveyor Belts</b>		
AS	Acetal with improved electrical conductive properties, reducing the build-up of static electricity. Colour: black	
BHT*	Polypropylene for high temperature applications. FDA-approved. Colour: blue	
BLT*	Polyethylene for low temperature applications; high impact resistance. FDA-approved. Colour blue	
SMB*	Acetal for high pressure and high speed, due to the hard surface; good abrasion resistance. FDA-approved. Colour blue	
BSM	Acetal with high resistance against wear and superficial damage. Colour: black	
BWX	Polyamide composite for extended wear life up to five times compared to acetal materials; to be used in dry running glass handling applications where abrasive shards of glass can wear other materials rapidly; it can also be used in applications where the belt is subjected to sand and dirt. Colour: Black	
DKA	Aramide reinforced acetal (POM) for wet or dry abrasive conditions, offering enhanced wear properties over plain acetals in combination with the low friction of a lubricated material. This material is available on request for a selected range of TableTop products.	
DRY-PT	Advanced performance polymer alloy designed specifically for run dry PET applications. Colour: Lime Green	
DTS-C® transfer	Super tough reinforced polyamide, wear and abrasion resistant, extra high strength. Colour: White	
Finger transfer 2500	Mounting block: MCC 1001; high grade mix of UHMWPE. Colour: black Fingers: Reinforced BPR-Polypropylene. Colour: green-blue	
FRPLUS	Flame Retardant Low Friction (metallic silver)	
FR-PA	Flame Retardant Polyamide	
GLA	Especially designed material for glass manufacturing, Extremely suited for high abrasion environments, high humidity surroundings and for low to medium speed applications. Black toughened abrasion resistance Acetal. Can be easily cleaned with water.	
HP	High Performance internally lubricated acetal (POM), for reduced wear up to 40% over plain acetal; intended for dry running or reduced lubrication and high-speed applications. Colour: Braun	
HT	Polypropylene for applications with high temperatures; good chemical resistance. Colour: beige	
LF	Low Friction acetal (POM) and special blend of lubricants for reduced wear up to 15% over plain acetal; intended for high-output applications at moderate to high speeds. Colour: light brown	
Profile fingerplates 1000/2000	Stainless steel AISI 304 (1.4301)	
PSX	Advanced performance polymer alloy designed specifically for run dry applications. Colour: grey	
SMB*	Acetal for high pressure and high speed, due to the hard surface; good abrasion resistance. FDA-approved. Colour blue	
WHT*	Polypropylene for high temperature applications. FDA-approved. Colour: white	
WLT*	Polyethylene for low temperature applications; high impact resistance. FDA-approved. Colour: white	
WSM*	Acetal for high pressure and high speed, due to the hard surface; good abrasion resistance. FDA-approved. Colour: white	
XP	Wear resistant polypropylene with excellent long term heat stability – up to 104°C – and a very good chemical resistance; FDA approved. Colour: light green	
XLA	Internally lubricated, extra low friction acetal for improved wearlife and high strength. Colour: anthracite	
XLBP	Wear resistant, extra low friction XLA-acetal with special selflubricating additives. Colour: Grey Rollers are made of special wear resistant and sound absorbing plastic; colour: Lime Green Roller shafts: stainless steel AISI 304 (1.4301)	
XLG	Internally lubricated, extra low friction acetal for improved wearlife and high strength; FDA approved. Colour: green-blue	
<b>Multiflex and Case Conveyor Chain</b>		
BWX	Polyamide composite for extended wear life in abrasive circumstances up to five times compared to plain acetal. Colour: black,	Stainless steel 1700 K: zinc plated stainless steel
Corner disc Hub	Reinforced Polyamide HP Low Friction acetal (ND 1700 FL/TR): brass (880)	
HP	High Performance internally lubricated acetal (POM) for reduced wear up to 40% over plain acetal. Colour: brown	Stainless steel
LF	Low Friction acetal (POM) and special blend of lubricants for reduced wear up to 15% over plain acetal. Colour: light brown	Stainless steel 1700 K: zinc plated stainless steel
WLF	Low Friction acetal (POM) and special blend of lubricants for reduced wear up to 15% over plain acetal. Colour: white	Stainless steel 1700 K: zinc plated stainless steel

\* Comply with the relevant requirements as laid down in: Framework Regulation (EC) 1935/2004 (dated 27-10-2004), EU Commission Regulation (EU) 10/2011 relating to plastic materials (tested according to EC Directive 97/48/EC; Migration testing (2nd amendment of 82/711/EEC) and EC Directive 85/572/EC; List of simulants).

Part	Material
<b>Curves</b>	
Combi-X Curves	MCC5000 with solid lubricants. This results in lower friction and longer guide wear life meaning less energy consumption and lower maintenance cost.
Upper part of Combi-A and CIP-curves	MCC 1200, ultra high molecular weight polyethylene, for optimum wear and abrasion resistance with a high molecular weight. Colour: aubergine
Upper part of Combi-G curves	MCC 2000, ultra high molecular weight polyethylene, with specially integrated ceramic additives, for superior abrasion resistance with a high molecular weight. Colour: green-yellow
Upper part of Combi-S curves	MCC 3500, special polyamide for optimum wear resistance in dry running lines where plastic chains run at high speeds. Colour: Black
All return parts	MCC 1002, high grade mix of ultra high molecular weight polyethylene, for good wear and abrasion resistance with a high molecular weight. Colour: black
Cover plates	Stainless steel AISI 430 (1.4016)
Screws	Stainless steel
Inserts (optional)	Brass
Return guide shoe	MCC 1200, ultra high molecular weight polyethylene, for good wear and abrasion resistance with a high molecular weight. Colour: black
Tubes in CIP-curves	Stainless steel AISI 303 (1.4305)
Nozzles in CIP-curves	Stainless steel AISI 303 (1.4305)
Tab curves - inserts (optional)	MCC 1003, ultra high molecular weight polyethylene, for good wear and abrasion resistance.

Sprocket	Material
<b>Sprockets and Idlers for Tabletop Chains</b>	
N/NS/NSH	Super tough reinforced polyamide, wear and abrasion resistant
KU(S)/KT/NS(T)/N(T)/SD	Polyamide
ST	Carbon steel
Bolts	Stainless steel AISI 304 (1.4301)
Inserts	Brass
<b>Sprockets and Idlers for Multiflex Chains</b>	
KU/KUS/N/NT	Polyamide
ZN	Zinc plated steel
CI	Cast iron
<b>Sprockets for Case Conveyor Chains</b>	
KU	Polyamide
SR	Super tough reinforced polyamide, wear and abrasion resistant
Hub	Carbon steel with black finish or stainless steel
<b>Sprockets for Modular Belts</b>	
NS 500/1000/ NSH1500/1005 NS 1500/5996/5700/7700/8500/7956 N 1500 NS 2500 RPA	Reinforced polyamide; extra high strength, wear and abrasion resistant
KU/KUS 500/1000/505/1255 KU 1500/3125/5936/7700/8500/7956 KUS 1500/7700/3125	Polyamide; super tough, wear and abrasion resistant
KUS 1005/505/1255	Special plastic; super tough, wear and abrasion resistant
KU 1010 KU 2010	Polyethylene
N 5996/4700/5936 N/NS 2000	POM Acetal; wear resistant
Bolts and nuts	Stainless steel AISI 304 (1.4301)
Inserts	Brass

Chain	Page	Belt	Page	Sprocket	Page	Curve/straight track	page
10 M	16	390	132	CH CC	88	505 TAB CURVE	215
10 S	10	500 FG	135	CI 1757	82	1200 TAB CURVE	220
10 T	18	500 FGP	135	KT 800	62	C1	103
60 M	16, 19	505 RBP	214	KU 75	58	C2	103
60 S	10, 11, 12, 14	590	136	KU 600	88	C3	104
66 M	16, 19, 24, 25	905 Nosebar	145	KU 815	55	C4	104
66 S	11, 12, 21, 22, 23	1000 CLICK-COMB	161	KU 821	61	C5A	105
66 ST	23	1000 FFGP	158	KU 1010	173	C5C	105
66 T	25	1000 FFTP	157	KU 1255	216	C6/CX6	106
512	14	1000 FG	158	KU 1500	146	C7/CX7	107
661 S	15	1000 FGDP	158	KU 1775	81	C14	108
661 M	20	1000 FINGER	160	KU 2010	196	C21A	109
800/802/805	12	1000 FT	157	KU 3120	212	C22A	109
810	14	1000 FTDP	157	KU 5936	185	C42	110
812 TAB	13, 21	1000 LBP	162	KU 7700	185	C43	110
815	11	1000 RR	160, 161	KU 7956	222	C61/C6T	111
815 TAB	13	1000 RRR	161	KU 8500	150	C65	112
820	28	1000 SG	159	KU RH	67	C66	112
820 RT	40	1000 SGDP	159	KUS 75	58	C81	113
820 Vacuum	38	1005 FFTP	165	KUS 505	215	C86	113
821	30	1005 FT	165	KUS 661	64	C91	114
821 RT	40	1005 FTDP	165	KUS 815	54	C96	114
831	29	1005 XLBP	168	KUS 820	66	CB6/CXB6	117
843	92	1005 SG	166	KUS 821	62	CC6/CXC6	118
879	33	1005 SGDP	166	KUS 880	69	CC21	119
879 TAB	35	1005 SGS	166	KUS 882	68	CF6	108
879 TAB BO	36	1005 SGSDP	167	KUS 1005	169	C1P4	105
879 BO RT	46	1015	171	KUS 1255	220	KSU	124
879 TAB BO LBP	48	1016	171	KUS 1500	146	KSU 200	125
880	32	1011	172	KUS 1775	82	KTU	120
880 TAB	34, 38	1018	172	KUS 1785	82	KTU 200	121
880 TAB BO	36, 39	1020	175	KUS 2500	82	KTU 300	122
880 TAB BO RT	44	1090	178	KUS 2755	88	KTU 500	123
880 TAB RT	43	1255 RB	216	KUS 3120	212	LBP2	115
880 TAB Vacuum	38	1255 RBP	216	KUS 7700	185	LBP91	116
881	16, 17	1255 SG	216	KUS MINI	62	LBP96	116
881 TAB	17	1265 RBT	217	N 500	135	LBP861	115
882 TAB	37	1275 RB	218	N 800	60	N 880 BO	71
883 TAB LBP	48	1285 RBT	204	N 820	56	ND 1700	83
963	91	1505	141	N 881	59	ND 1700BC	83
1040	50	1505 DTS	141	N 1108	70	ND 1700BO	83
1055 FT/FTM	51, 52	1505 FT	143	N 1700	81	ND 1700FL	83
1060 FTM	51	1505 FTDP	143	N 2000	192	NX 880 BO	71
1700	77	1505 SG	144	N 5936	154	NXT 880 BO	71
1720	78	1505 SGDP	144	N 5996	199	STU	126
1757	76	1505 SGS	144	NS 500	135	SSU	127
1765 ZeroGap	74	1505 SGSDP	144	NS 815	53	D384 PA	83
1775 ZeroGap	74	1506	142	NS 820	56		
1843 TAB	92, 96	2000 CLICK-COMB	191	NS 821	60		
1864	91	2000 DTS-C	192	NS 821	60, 67		
1873 TAB	94, 97, 98	2000 FG	188	NS 821	67		
1873 TAB SG	95	2000 FT	188	NS 831	65		
1874	93	2000 RR	189	NS 880	69		
2755 BSM	87	2000 RRHD	189	NS 881	59		
3873 TAB	95	2000 RRHDP	189	NS 882	68		
8811 TAB	18, 25	2000 RRP	189	NS 1000	163		
CC 600	84	2000 SR	190	NS 1050	70		
CC 631 TAB	85	2011	195	NS 1500	146		
CC 1400	85	2015	194	NS 2000	192		
CC 1431 TAB	86	2016	194	NS 5936	154		
HDF LBP	49	3125/3129	207	NS 5996	199		
HDFM	32	3125RT	208	NS 7700	185		
HDFM LBP	49	3180	208	NS 7956	222		
HDFM SG	42	5935	152	NS 8500	150		
HDS	30	5935 Vacuum	153	NSH 815	53		
HDS LBP	46	5936	152	NSH 820/831	65		
HDS SG	44	6995	198	NSH 880	67		
RH/RHD	34, 35	6999	198	NSH 1005	169		
RHM/RHMD	31	7705	182	NSH1500	146		
RHMD LBP	47	7705 DTS	182	NST 820	57		
RHMP/RHMDP	31	7706	184	NT 820	57		
SH/SHD/SHP	28, 29	7708	184	NT 1757	82		
SHD LBP	45	7956	221	SR CC 600/1400	88		
SWH	30	8505	148	ZN1700	81		
SWH LBP	46	8505 DTS	148				
SWH SG	41	8506	149				
		6995 Hybrid H4	200				
		6999 Hybrid H4	200				
		6995 Hybrid H8	201				
		6999 Hybrid H8	201				





OUR INNOVATION MOVES

866-REXNORD/866-739-6673 (Within the U.S.)

+31 174 445 111 (Outside the U.S.)

[www.rexnord.com](http://www.rexnord.com)

ALL AROUND  
THE GLOBE,

CUSTOMERS TRUST  
OUR PROVEN BRANDS.

#### WHY CHOOSE REXNORD?

When it comes to providing highly engineered products that improve productivity and efficiency for industrial applications worldwide, Rexnord is the most reliable in the industry. Commitment to customer satisfaction and superior value extend across every business function.

#### Delivering Lowest Total Cost of Ownership

The highest quality products are designed to help prevent equipment downtime and increase productivity and dependable operation.

#### Valuable Expertise

An extensive product offering is accompanied by global sales specialists, customer service and maintenance support teams, available anytime.

#### Solutions to Enhance Ease of Doing Business

Commitment to operational excellence ensures the right products at the right place at the right time.